



**SAE Block T-Connection (Adaptor Style)** 92  
BF-T



**SAE Block T-Connection (Connector Style)** 93  
BC-T



**SAE Block L-Connection (Adaptor Style)** 94  
BF-L



**SAE Block L-Connection (Connector Style)** 95  
BC-L

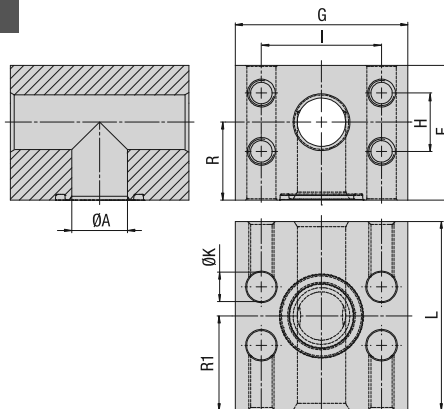


**SAE Block L-Connection Reduction (Adaptor Style)** 96  
BF-L

**E**



**SAE Block T-Connection (Adaptor Style)**  
**Type BF-T ▪ 6000 PSI Series**



6000 PSI High Pressure Series (based on ISO 6162-2:2002)

Nominal Size	DN	(in)	PN <sup>1</sup> Bolts		Dimensions								Weight	Ø Thread	Ordering Codes	
			( <sup>bar</sup> /PSI)	(MH)	(mm/in)	ØA	F	G	H	I	L	R				R1
19	3/4		350	420	19	55	72	23,8	50,8	72	32	36	11	176,0	M10	BF-T-602-W66
			5075	6090	.75	2.17	2.83	.94	2.00	2.83	1.26	1.42	.43	387.20		
25	1		350	420	23	64	82	27,8	57,2	90	37	45	13,5	283,0	M12	BF-T-603-W66
			5075	6090	.91	2.52	3.23	1.09	2.25	3.54	1.46	1.77	.53	622.60		
32	1-1/4		350	420	30	72	100	31,8	66,6	100	41	50	15,5	404,7	M14	BF-T-604-M14-W66
			5075	6090	1.18	2.83	3.94	1.25	2.62	3.94	1.61	1.97	.61	890.34		
38	1-1/2		350	420	38	89	114	36,5	79,3	110	50	55	17,5	645,1	M16	BF-T-605-W66
			5075	6090	1.50	3.50	4.49	1.44	3.12	4.33	1.97	2.17	.69	1419.22		
51	2		350	420	50	107	133	44,5	96,8	135	64	67,5	22	1027,5	M20	BF-T-606-W66
			5075	6090	1.97	4.21	5.24	1.75	3.81	5.31	2.52	2.66	.87	2260.50		

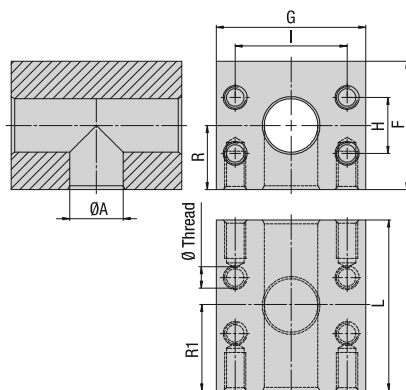
E

**Materials / Ordering Options / Examples**

- \* SAE Flange Block made of Steel S355J0 / C45 or equivalent, zinc-plated and thick-film-passivated **BF-T-...-W66**
- \* SAE Flange Block made of Steel S355J0 / C45 or equivalent, blank (oiled) (on request) **BF-T-...-W1**
- \* SAE Flange Block made of Steel S355J0 / C45 or equivalent, zinc/nickel-plated (on request) **BF-T-...-W3**
- \* SAE Flange Block made of Stainless Steel V4A – 1.4404 (on request) **BF-T-...-W5**
- \* Size of Metric tapped holes deviating from the standard (e.g. M14) **BF-T-...-M14-W66**

<sup>1</sup> The maximum working pressure PN (bar/PSI) applies only to the flange itself and depends on the bolts used (Grade 8.8 / 10.9).




**SAE Block T-Connection (Connector Style)  
Type BC-T - 3000 / 6000 PSI Series**

**3000 PSI Standard Pressure Series (based on ISO 6162-1:2002)**

Nominal Size	PN <sup>1</sup> Bolts		Dimensions									Weight ( <sup>kg</sup> /lbs) ca. per 100	Ø Thread	Ordering Codes
	( <sup>mm</sup> /PSI)	( <sup>mm</sup> /PSI)	( <sup>mm</sup> /in)	F	G	H	I	L	R	R1	Metric			
DN	(in)	8.8	10.9 (MH)	ØA	F	G	H	I	L	R	R1			
13	1/2	350	350	13	50	55	17,5	38,1	70	25	35	138,3	M8	BC-T-301-W66
		5075	5075	.51	1.97	2.17	.69	1.50	2.76	.98	1.38	304.26		
19	3/4	350	350	19	60	65	22,3	47,6	75	30	37,5	188,9	M10	BC-T-302-W66
		5075	5075	.75	2.36	2.56	.88	1.87	2.95	1.18	1.48	415.58		
25	1	250	315	24	65	72	26,2	52,4	80	33	40	245,4	M10	BC-T-303-W66
		3625	4568	.94	2.56	2.83	1.03	2.06	3.15	1.30	1.57	539.88		
32	1-1/4	200	250	32	80	82	30,2	58,7	90	39	45	368,7	M10	BC-T-304-W66
		2900	3625	1.26	3.15	3.23	1.19	2.31	3.54	1.54	1.77	811.14		
38	1-1/2	200	200	38	92	100	35,7	69,9	110	51	55	641,5	M12	BC-T-305-W66
		2900	2900	1.50	3.62	3.94	1.41	2.75	4.33	2.01	2.17	1411.30		
51	2	160	200	51	87	102	42,9	77,8	120	51	60	564,9	M12	BC-T-306-W66
		2320	2900	2.01	3.43	4.02	1.69	3.06	4.72	2.01	2.36	1242.69		
64	2-1/2	100	160	62	120	115	50,8	88,9	160	60	80	1269,8	M12	BC-T-307-W66
		1450	2320	2.44	4.72	4.53	2.00	3.50	6.30	2.36	3.15	2793.56		
76	3	100	138	73	135	135	61,9	106,4	160	67,5	80	1596,1	M16	BC-T-308-W66
		1450	2001	2.87	5.31	5.31	2.44	4.19	6.30	2.66	3.15	3511.42		
89	3-1/2	35	35	89	145	150	69,9	120,7	160	72,5	80	1734,9	M16	BC-T-309-W66
		508	508	3.50	5.71	5.91	2.75	4.75	6.30	2.85	3.15	3816.78		

**6000 PSI High Pressure Series (based on ISO 6162-2:2002)**

Nominal Size	PN <sup>1</sup> Bolts		Dimensions									Weight ( <sup>kg</sup> /lbs) ca. per 100	Ø Thread	Ordering Codes
	( <sup>mm</sup> /PSI)	( <sup>mm</sup> /PSI)	( <sup>mm</sup> /in)	F	G	H	I	L	R	R1	Metric			
DN	(in)	8.8	10.9 (MH)	ØA	F	G	H	I	L	R	R1			
13	1/2	350	420	13	50	60	18,2	40,5	90	25	45	194,2	M8	BC-T-601-W66
		5075	6090	.51	1.97	2.36	.72	1.59	3.54	.98	1.77	427.24		
19	3/4	350	420	19	55	72	23,8	50,8	72	32	36	192,9	M10	BC-T-602-W66
		5075	6090	.75	2.17	2.83	.94	2.00	2.83	1.26	1.42	424.38		
25	1	350	420	23	64	82	27,8	57,2	90	37	45	310,4	M12	BC-T-603-W66
		5075	6090	.91	2.52	3.23	1.09	2.25	3.54	1.46	1.77	682.88		
32	1-1/4	350	420	30	72	100	31,8	66,6	100	41	50	300,6	M12	BC-T-604-W66
		5075	6090	1.18	2.83	3.94	1.25	2.62	3.94	1.61	1.97	661.32		
32	1-1/4	350	420	30	72	100	31,8	66,6	100	41	50	300,6	M14	BC-T-604-M14-W66
		5075	6090	1.18	2.83	3.94	1.25	2.62	3.94	1.61	1.97	661.32		
38	1-1/2	350	420	38	89	114	36,5	79,3	110	50	55	688,9	M16	BC-T-605-W66
		5075	6090	1.50	3.50	4.49	1.44	3.12	4.33	1.97	2.17	1515.58		
51	2	350	420	50	107	133	44,5	96,8	135	64	67,5	1113,7	M20	BC-T-606-W66
		5075	6090	1.97	4.21	5.24	1.75	3.81	5.31	2.52	2.66	2450.14		
64	2-1/2	350	420	62	155	180	58,8	123,8	180	77,5	90	1112,3	M24	BC-T-607-W1
		5075	6090	2.44	6.10	7.09	2.31	4.87	7.09	3.05	3.54	2447.06		

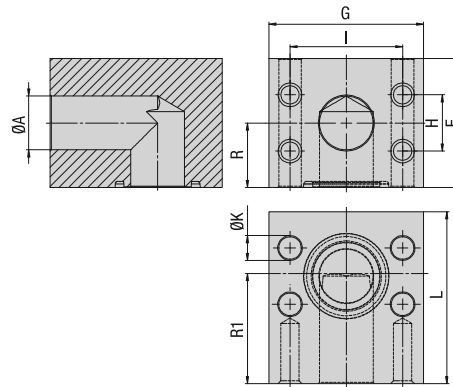
<sup>1</sup> The maximum working pressure PN (bar/PSI) applies only to the flange itself and depends on the bolts used (Grade 8.8 / 10.9).

**Materials / Ordering Options / Examples**

- \* SAE Flange Block made of Steel S355J0 / C45 or equivalent, zinc-plated and thick-film-passivated **BC-T-...-W66**
- \* SAE Flange Block made of Steel S355J0 / C45 or equivalent, blank (oiled) (on request) **BC-T-...-W1**
- \* SAE Flange Block made of Steel S355J0 / C45 or equivalent, zinc/nickel-plated (on request) **BC-T-...-W3**
- \* SAE Flange Block made of Stainless Steel V4A – 1.4404 (on request) **BC-T-...-W5**
- \* Size of Metric tapped holes deviating from the standard (e.g. M14) **BC-T-...-M14-W66**



**SAE Block L-Connection (Adaptor Style)**  
**Type BF-L - 3000 / 6000 PSI Series**



**3000 PSI Standard Pressure Series (based on ISO 6162-1:2002)**

Nominal Size	PN <sup>1</sup> Bolts ( <sup>bar</sup> /PSI)	Dimensions ( <sup>mm</sup> / <sup>in</sup> )											Weight ( <sup>kg</sup> / <sup>lbs</sup> ) ca. per 100	Ø Thread Metric	Ordering Codes
		DN	(in)	8.8	10.9 (MH)	ØA	F	G	H	I	L	R			
13	1/2	350	350	13	50	55	17,5	38,1	55	25	35	9	103,3	M8	BF-L-301-W66
		5075	5075	.51	1.97	2.17	.69	1.50	2.17	.98	1.38	.35	227.26		
20	3/4	350	350	19	60	65	22,3	47,6	60	30	40	11	146,7	M10	BF-L-302-W66
		5075	5075	.75	2.36	2.56	.88	1.87	2.36	1.18	1.57	.43	322.74		
25	1	250	315	24	65	72	26,2	52,4	65	33	40	11	189,7	M10	BF-L-303-W66
		3625	4568	.94	2.56	2.83	1.03	2.06	2.56	1.30	1.57	.43	417.34		
32	1-1/4	200	200	32	80	82	30,2	58,7	82	39	38	11	349,3	M10	BF-L-304-W66
		2900	2900	1.26	3.15	3.23	1.19	2.31	3.23	1.54	1.50	.43	768.46		
38	1-1/2	160	200	38	92	100	35,7	69,9	92	51	59	13,5	510,9	M12	BF-L-305-W66
		2320	2900	1.50	3.62	3.94	1.41	2.75	3.62	2.01	2.32	.53	1123.98		
51	2	100	160	51	87	102	42,9	77,8	85	51	48	13,5	376,0	M12	BF-L-306-W66
		1450	2320	2.01	3.43	4.02	1.69	3.06	3.35	2.01	1.89	.53	827.20		
64	2-1/2	100	160	62	120	110	50,8	88,9	110	60	65	13,5	842,5	M12	BF-L-307-W66
		1450	2320	2.44	4.72	4.33	2.00	3.50	4.33	2.36	2.56	.53	1853.50		
76	3	100	138	73	135	135	61,9	106,4	150	67,5	90	17,5	1481,7	M16	BF-L-308-W66
		1450	2001	2.87	5.31	5.31	2.44	4.19	5.91	2.66	3.54	.69	3259.74		
89	3-1/2	35	35	89	145	150	69,9	120,7	145	72,5	75	17,5	1653,6	M16	BF-L-309-W66
		508	508	3.50	5.71	5.91	2.75	4.75	5.71	2.85	2.95	.69	3637.92		

**6000 PSI High Pressure Series (based on ISO 6162-2:2002)**

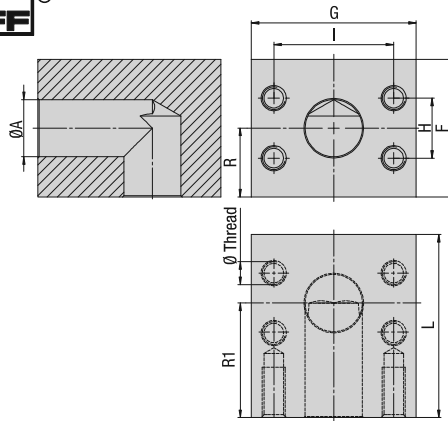
Nominal Size	PN <sup>1</sup> Bolts ( <sup>bar</sup> /PSI)	Dimensions ( <sup>mm</sup> / <sup>in</sup> )											Weight ( <sup>kg</sup> / <sup>lbs</sup> ) ca. per 100	Ø Thread Metric	Ordering Codes
		DN	(in)	8.8	10.9 (MH)	ØA	F	G	H	I	L	R			
13	1/2	350	420	13	50	60	18,2	40,5	60	25	40	9	122,9	M8	BF-L-601-W66
		5075	6090	.51	1.97	2.36	.72	1.59	2.36	.98	1.57	.35	270.38		
19	3/4	350	420	19	55	72	23,8	50,8	60	32	36	11	149,5	M10	BF-L-602-W66
		5075	6090	.75	2.17	2.83	.94	2.00	2.36	1.26	1.42	.43	328.90		
25	1	350	420	23	64	82	27,8	57,2	68	37	40	13,5	210,3	M12	BF-L-603-W66
		5075	6090	.91	2.52	3.23	1.09	2.25	2.68	1.46	1.57	.53	462.66		
32	1-1/4	350	420	30	72	100	31,8	66,6	76	41	46	13,5	348,5	M12	BF-L-604-W66
		5075	6090	1.18	2.83	3.94	1.25	2.62	2.99	1.61	1.81	.53	766.70		
32	1-1/4	350	420	30	72	100	31,8	66,6	76	41	46	15,5	322,9	M14	BF-L-604-M14-W66
		5075	6090	1.18	2.83	3.94	1.25	2.62	2.99	1.61	1.81	.61	710.38		
38	1-1/2	350	420	38	89	114	36,5	79,3	86	50	52	17,5	494,1	M16	BF-L-605-W66
		5075	6090	1.50	3.50	4.49	1.44	3.12	3.39	1.97	2.05	.69	1086.91		
51	2	350	420	50	107	133	44,5	96,8	107	64	70	22	816,8	M20	BF-L-606-W66
		5075	6090	1.97	4.21	5.24	1.75	3.81	4.21	2.52	2.76	.87	1796.96		
64	2-1/2	350	420	62	155	180	58,8	123,8	160	77,5	90	26	829,6	M24	BF-L-607-W1
		5075	6090	2.44	6.10	7.09	2.31	4.87	6.30	3.05	3.54	1.02	1825.12		

**Materials / Ordering Options / Examples**

- \* SAE Flange Block made of Steel S355J0 / C45 or equivalent, zinc-plated and thick-film-passivated **BF-L-...-W66**
- \* SAE Flange Block made of Steel S355J0 / C45 or equivalent, blank (oiled) (on request) **BF-L-...-W1**
- \* SAE Flange Block made of Steel S355J0 / C45 or equivalent, zinc/nickel-plated (on request) **BF-L-...-W3**
- \* SAE Flange Block made of Stainless Steel V4A – 1.4404 (on request) **BF-L-...-W5**
- \* Size of Metric tapped holes deviating from the standard (e.g. M14) **BF-L-...-M14-W66**

<sup>1</sup> The maximum working pressure PN (bar/PSI) applies only to the flange itself and depends on the bolts used (Grade 8.8 / 10.9).




**SAE Block L-Connection (Connector Style)  
Type BC-L - 3000 / 6000 PSI Series**

**3000 PSI Standard Pressure Series (based on ISO 6162-1:2002)**

Nominal Size		PN <sup>1</sup> Bolts ( <sup>bar</sup> /PSI)		Dimensions ( <sup>mm</sup> / <sup>in</sup> )									Weight ( <sup>kg</sup> / <sup>lbs</sup> ) ca. per 100	Ø Thread	Ordering Codes
DN	(in)	8.8	10.9 (MH)	ØA	F	G	H	I	L	R	R1		Metric		
13	1/2	350	350	13	50	55	17,5	38,1	55	25	35	109,1	M8	BC-L-301-W66	
		5075	5075	.51	1.97	2.17	.69	1.50	2.17	.98	1.38	240.02			
20	3/4	350	350	19	60	65	22,3	47,6	60	30	40	157,9	M10	BC-L-302-W66	
		5075	5075	.75	2.36	2.56	.88	1.87	2.36	1.18	1.57	347.38			
25	1	250	315	24	65	72	26,2	52,4	65	33	40	204,3	M10	BC-L-303-W66	
		3625	4568	.94	2.56	2.83	1.03	2.06	2.56	1.30	1.57	449.46			
32	1-1/4	200	200	32	80	82	30,2	58,7	82	39	38	366,7	M10	BC-L-304-W66	
		2900	2900	1.26	3.15	3.23	1.19	2.31	3.23	1.54	1.50	806.74			
38	1-1/2	160	200	38	92	100	35,7	69,9	92	51	59	547,1	M12	BC-L-305-W66	
		2320	2900	1.50	3.62	3.94	1.41	2.75	3.62	2.01	2.32	1203.62			
51	2	100	160	51	87	102	42,9	77,8	85	51	48	403,4	M12	BC-L-306-W66	
		1450	2320	2.01	3.43	4.02	1.69	3.06	3.35	2.01	1.89	887.48			
64	2-1/2	100	160	62	120	110	50,8	88,9	110	60	65	966,5	M12	BC-L-307-W66	
		1450	2320	2.44	4.72	4.33	2.00	3.50	4.33	2.36	2.56	2126.30			
76	3	100	138	73	135	135	61,9	106,4	150	67,5	90	1629,3	M16	BC-L-308-W66	
		1450	2001	2.87	5.31	5.31	2.44	4.19	5.91	2.66	3.54	3584.46			
89	3-1/2	35	35	89	145	150	69,9	120,7	145	72,5	75	1744,7	M16	BC-L-309-W66	
		508	508	3.50	5.71	5.91	2.75	4.75	5.71	2.85	2.95	3838.34			

**6000 PSI High Pressure Series (based on ISO 6162-2:2002)**

Nominal Size		PN <sup>1</sup> Bolts ( <sup>bar</sup> /PSI)		Dimensions ( <sup>mm</sup> / <sup>in</sup> )									Weight ( <sup>kg</sup> / <sup>lbs</sup> ) ca. per 100	Ø Thread	Ordering Codes
DN	(in)	8.8	10.9 (MH)	ØA	F	G	H	I	L	R	R1		Metric		
13	1/2	350	420	13	50	60	18,2	40,5	60	25	40	130,0	M8	BC-L-601-W66	
		5075	6090	.51	1.97	2.36	.72	1.59	2.36	.98	1.57	286.00			
19	3/4	350	420	19	55	72	23,8	50,8	60	32	36	161,9	M10	BC-L-602-W66	
		5075	6090	.75	2.17	2.83	.94	2.00	2.36	1.26	1.42	356.18			
25	1	350	420	23	64	82	27,8	57,2	68	37	40	238,9	M12	BC-L-603-W66	
		5075	6090	.91	2.52	3.23	1.09	2.25	2.68	1.46	1.57	525.58			
32	1-1/4	350	420	30	72	100	31,8	66,6	76	41	46	233,4	M12	BC-L-604-W66	
		5075	6090	1.18	2.83	3.94	1.25	2.62	2.99	1.61	1.81	513.48			
32	1-1/4	350	420	30	72	100	31,8	66,6	76	41	46	233,4	M14	BC-L-604-M14-W66	
		5075	6090	1.18	2.83	3.94	1.25	2.62	2.99	1.61	1.81	513.48			
38	1-1/2	350	420	38	89	114	36,5	79,3	86	50	52	558,1	M16	BC-L-605-W66	
		5075	6090	1.50	3.50	4.49	1.44	3.12	3.39	1.97	2.05	1227.82			
51	2	350	420	50	107	133	44,5	96,8	107	64	70	894,4	M20	BC-L-606-W66	
		5075	6090	1.97	4.21	5.24	1.75	3.81	4.21	2.52	2.76	1967.68			
64	2-1/2	350	420	62	155	180	58,8	123,8	160	77,5	90	911,1	M24	BC-L-607-W1	
		5075	6090	2.44	6.10	7.09	2.31	4.87	6.30	3.05	3.54	2004.42			

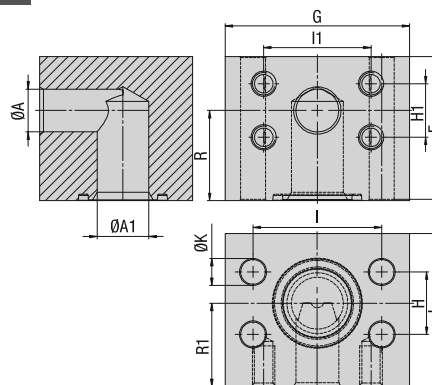
<sup>1</sup> The maximum working pressure PN (bar/PSI) applies only to the flange itself and depends on the bolts used (Grade 8.8 / 10.9).

**Materials / Ordering Options / Examples**

- \* SAE Flange Block made of Steel S355J0 / C45 or equivalent, zinc-plated and thick-film-passivated **BC-L-...-W66**
- \* SAE Flange Block made of Steel S355J0 / C45 or equivalent, blank (oiled) (on request) **BC-L-...-W1**
- \* SAE Flange Block made of Steel S355J0 / C45 or equivalent, zinc/nickel-plated (on request) **BC-L-...-W3**
- \* SAE Flange Block made of Stainless Steel V4A – 1.4404 (on request) **BC-L-...-W5**
- \* Size of Metric tapped holes deviating from the standard (e.g. M14) **BC-L-...-M14-W66**



**SAE Block L-Connection Reduction (Adaptor Style)**  
**Type BF-L - 6000 PSI Series**



6000 PSI High Pressure Series (based on ISO 6162-2:2002)

Nominal Size		PN <sup>1</sup> Bolts (bar/PSI)		Dimensions (mm/in)													Weight (kg/lbs) ca. per 100	Ø Thread Metric	Ordering Codes
DN	(in)	8.8	10.9 (MH)	ØA	ØA1	F	G	H	H1	I1	I	L	R	R1	ØK				
25 - 19	1 - 3/4	350	420	19	23	64	82	27,8	23,8	50,8	57,2	68	37	40	14	223,0	M10	BF-L-603-602-W66	
		5075	6090	.75	.91	2.52	3.23	1.09	.94	2.00	2.25	2.68	1.46	1.57	.55	490.60			
32 - 19	1-1/4 - 3/4	350	420	19	30	72	100	31,8	23,8	50,8	66,6	76	41	46	16	345,4	M10	BF-L-604-M14-602-W66	
		5075	6090	.75	1.18	2.83	3.94	1.25	.94	2.00	2.62	2.99	1.61	1.81	.63	759.88			
32 - 25	1-1/4 - 1	350	420	23	30	72	100	31,8	27,8	57,2	66,6	76	41	46	16	333,2	M12	BF-L-604-M14-603-W66	
		5075	6090	.91	1.18	2.83	3.94	1.25	1.09	2.25	2.62	2.99	1.61	1.81	.63	733.04			
38 - 32	1-1/2 - 1-1/4	350	420	30	38	89	114	36,5	31,8	66,6	79,3	86	50	52	18	541,3	M14	BF-L-605-604-M14-W66	
		5075	6090	1.18	1.50	3.50	4.49	1.44	1.25	2.62	3.12	3.39	1.97	2.05	.71	1190.86			
51 - 38	2 - 1-1/2	350	420	38	50	107	133	44,5	36,5	79,3	96,8	107	64	70	22	893,5	M16	BF-L-606-605-W66	
		5075	6090	1.50	1.97	4.21	5.24	1.75	1.44	3.12	3.81	4.21	2.52	2.76	.87	1965.70			

E

**Materials / Ordering Options / Examples**

- \* SAE Flange Block made of Steel S355J0 / C45 or equivalent, zinc-plated and thick-film-passivated **BF-L-...-...-W66**
- \* SAE Flange Block made of Steel S355J0 / C45 or equivalent, blank (oiled) (on request) **BF-L-...-...-W1**
- \* SAE Flange Block made of Steel S355J0 / C45 or equivalent, zinc/nickel-plated (on request) **BF-L-...-...-W3**
- \* SAE Flange Block made of Stainless Steel V4A - 1.4404 (on request) **BF-L-...-...-W5**
- \* Size of Metric tapped holes deviating from the standard (e.g. M14) **BF-L-...-M14-...-W66**
- \* Size of through holes deviating from the standard (e.g. for bolts M14) **BF-L-...-...-M14-W66**

<sup>1</sup> The maximum working pressure PN (bar/PSI) applies only to the flange itself and depends on the bolts used (Grade 8.8 / 10.9).

