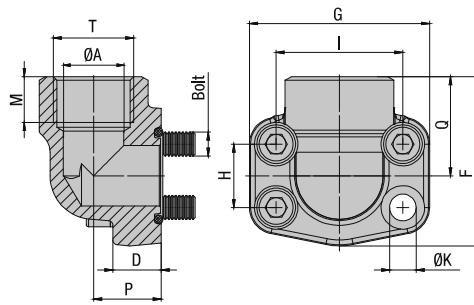


SAE 90° Single-Part Flange with Female BSPP Thread
Type BFX90-G - 3000 / 6000 PSI Series



3000 PSI Standard Pressure Series (based on ISO 6162-1:2002)

Nominal Size	PN ¹ (^{bar} / _{PSI})	Dimensions (^{mm} / _{in})											Weight (^{kg} / _{lbs}) ca. per 100	for Bolts		Ordering Codes		
		8.8	10.9 (MH)	ØA	D	F	G	H	I	M	P	Q		T (BSPP)	ØK ³		Metric ³	UNC
13	1/2	350	350	13	16	60	54	17,5	38,1	19	20	37	1/2	8,7	31,3	M8x30	5/16-18 UNC x 1-1/4	BFX90-301-G-W1
		5075	5075	.51	.63	2.36	2.13	.69	1.50	.75	.79	1.46		.34	68.86			
13	1/2	350	350	13	16	60	54	17,5	38,1	19	20	37	3/8 (06)	8,7	30,5	M8x30	5/16-18 UNC x 1-1/4	BFX90-301-G06-W1
		5075	5075	.51	.63	2.36	2.13	.69	1.50	.75	.79	1.46		.34	67.10			
19	3/4	350	350	19	18	63	65	22,3	47,6	19	24	38	3/4	10,5	44,4	M10x35	3/8-16 UNC x 1-1/2	BFX90-302-G-W1
		5075	5075	.75	.71	2.48	2.56	.88	1.87	.75	.94	1.50		.41	97.68			
25	1	250	315	25	19	70	70	26,2	52,4	20	28	43	1	10,5	60,0	M10x35	3/8-16 UNC x 1-1/2	BFX90-303-G-W1
		3625	4568	.98	.75	2.76	2.76	1.03	2.06	.79	1.10	1.69		.41	132.00			
32	1-1/4	200	250	32	21	85	79	30,2	58,7	22	34	51	1-1/4	11,5 (13,5)	85,8	M10x40 (M12x40)	7/16-14 UNC x 1-1/2	BFX90-304-G-W1
		2900	3625	1.26	.83	3.35	3.11	1.19	2.31	.87	1.34	2.01		.45 (53)	188.76			
38	1-1/2	200	200	38	25	95	93	35,7	69,9	25	38	56	1-1/2	13,5 (14,5)	123,0	M12x45 (M14x45)	1/2-13 UNC x 1-3/4	BFX90-305-G-W1
		2900	2900	1.50	.98	3.74	3.66	1.41	2.75	.98	1.50	2.20		.53 (57)	270.60			
51	2	160	200	51	25	110	110	42,9	77,8	28	42	65	2	13,5 (14,5)	188,7	M12x45 (M14x45)	1/2-13 UNC x 1-3/4	BFX90-306-G-W1
		2320	2900	2.01	.98	4.33	4.33	1.69	3.06	1.10	1.65	2.56		.53 (57)	415.14			

6000 PSI High Pressure Series (based on ISO 6162-2:2002)

Nominal Size	PN ¹ (^{bar} / _{PSI})	Dimensions (^{mm} / _{in})											Weight (^{kg} / _{lbs}) ca. per 100	for Bolts		Ordering Codes		
		8.8	10.9 (MH)	ØA	D	F	G	H	I	M	P	Q		T (BSPP)	ØK		Metric	UNC
13	1/2	350	420	13	16	60	56	18,2	40,5	19	20	37	1/2	8,7	29,6	M8x30	5/16-18 UNC x 1-1/4	BFX90-601-G-W1
		5075	6090	.51	.63	2.36	2.20	.72	1.59	.75	.79	1.46		.34	65.12			
13	1/2	350	420	13	16	60	56	18,2	40,5	19	20	37	3/8 (06)	8,7	30,2	M8x30	5/16-18 UNC x 1-1/4	BFX90-601-G06-W1
		5075	6090	.51	.63	2.36	2.20	.72	1.59	.75	.79	1.46		.34	66.44			
19	3/4	350	420	19	19	70	72	23,8	50,8	20	28	43	3/4	10,5	70,8	M10x35	3/8-16 UNC x 1-1/2	BFX90-602-G-W1
		5075	6090	.75	.75	2.76	2.83	.94	2.00	.79	1.10	1.69		.41	155.76			
25	1	350	420	25	21	85	79	27,8	57,2	22	34	51	1	13	109,3	M12x45	7/16-14 UNC x 1-3/4	BFX90-603-G-W1 ²
		5075	6090	.98	.83	3.35	3.11	1.09	2.25	.87	1.34	2.01		.51	240.46			
32	1-1/4	350	420	32	25	95	93	31,6	66,6	25	38	56	1-1/4	13,5	152,4	M12x45	1/2-13 UNC x 1-3/4	BFX90-604-G-W1
		5075	6090	1.26	.98	3.74	3.66	1.24	2.62	.98	1.50	2.20		.53	335.28			
32	1-1/4	350	420	32	25	95	93	31,6	66,6	25	38	56	1-1/4	15	144,7	M14x45	/	BFX90-604-G-M14-W1
		5075	6090	1.26	.98	3.74	3.66	1.24	2.62	.98	1.50	2.20		.59	318.34			
38	1-1/2	350	420	38	25	110	110	36,5	79,3	28	42	65	1-1/2	17	245,9	M16x50	5/8-11 UNC x 2	BFX90-605-G-W1
		5075	6090	1.50	.98	4.33	4.33	1.44	3.12	1.10	1.65	2.56		.67	540.98			
51	2	350	420	51	35	132	134	44,5	96,8	33	45	75	2	21	364,3	M20x70	3/4-10 UNC x 2-3/4	BFX90-606-G-W1
		5075	6090	2.01	1.38	5.20	5.28	1.75	3.81	1.30	1.77	2.95		.83	801.46			

¹ The maximum working pressure PN (bar/PSI) applies only to the flange itself and depends on the bolts used (Grade 8.8 / 10.9). The actual maximum working pressure depends on the thickness and the quality of the tube used.

² For UNC threaded bolts, use hexagon head bolts only. Please note that these do not belong to our product range.

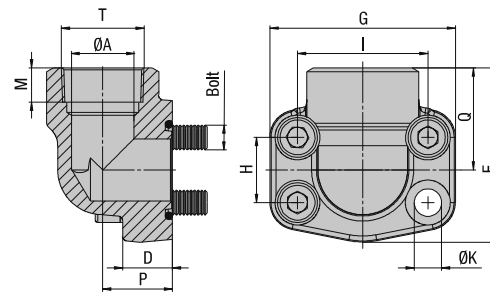
³ Alternative options shown in brackets are available on request.

Materials / Ordering Options / Examples

- * SAE Single-Part Flange (without O-ring) made of Steel S355J0 or equivalent, blank (oiled) BFX90-...-G-W1
- * SAE Single-Part Flange (without O-ring) made of Stainless Steel V4A - 1.4404 (on request) BFX90-...-G-W5
- * Size of connection thread deviating from the standard (e.g. 1-1/4 BSPP) BFX90-...-G20-W1
- * Kit including Metric bolts 8.8, spring rings, O-ring made of NBR (Buna-N®) BFX90-...-G-W46-K
- * Kit including Metric bolts 8.8, spring rings, O-ring made of FKM (Viton®) BFX90-...-G-V-W46-K
- * Kit including Metric bolts 10.9, spring rings, O-ring made of NBR (Buna-N®) BFX90-...-G-MH-W1-K
- * Kit including UNC bolts (Grade 8), spring rings, O-ring made of NBR (Buna-N®) BFX90-...-G-U-W1-K



SAE 90° Single-Part Flange with Female NPT Thread Type BFX90-N - 3000 / 6000 PSI Series



3000 PSI Standard Pressure Series (based on ISO 6162-1:2002)

Nominal Size	PN ¹ (^{bar} / _{PSI})	Dimensions (^{mm} / _{in})											Weight (^{kg} / _{lbs}) ca. per 100	for Bolts		Ordering Codes		
		8.8	10.9 (MH)	ØA	D	F	G	H	I	M	P	Q		T (NPT)	ØK ³		Metric ³	UNC
13	1/2	350	350	13	16	60	54	17,5	38,1	19	20	37	1/2	8,7	31,3	M8x30	5/16-18 UNC x 1-1/4	BFX90-301-N-W1
		5075	5075	.51	.63	2.36	2.13	.69	1.50	.75	.79	1.46		.34	68.86			
13	1/2	350	350	13	16	60	54	17,5	38,1	19	20	37	3/8 (06)	8,7	31,3	M8x30	5/16-18 UNC x 1-1/4	BFX90-301-N06-W1
		5075	5075	.51	.63	2.36	2.13	.69	1.50	.75	.79	1.46		.34	68.86			
19	3/4	350	350	19	18	63	65	22,3	47,6	19	24	38	3/4	10,5	47,1	M10x35	3/8-16 UNC x 1-1/2	BFX90-302-N-W1
		5075	5075	.75	.71	2.48	2.56	.88	1.87	.75	.94	1.50		.41	103.62			
25	1	250	315	25	19	70	70	26,2	52,4	20	28	43	1	10,5	58,2	M10x35	3/8-16 UNC x 1-1/2	BFX90-303-N-W1
		3625	4568	.98	.75	2.76	2.76	1.03	2.06	.79	1.10	1.69		.41	128.04			
32	1-1/4	200	250	32	21	85	79	30,2	58,7	22	34	51	1-1/4	11,5 (13,5)	87,9	M10x40 (M12x40)	7/16-14 UNC x 1-1/2	BFX90-304-N-W1
		2900	3625	1.26	.83	3.35	3.11	1.19	2.31	.87	1.34	2.01		.45 (.53)	193.38			
38	1-1/2	200	200	38	25	95	93	35,7	69,9	25	38	56	1-1/2	13,5 (14,5)	126,2	M12x45 (M14x45)	1/2-13 UNC x 1-3/4	BFX90-305-N-W1
		2900	2900	1.50	.98	3.74	3.66	1.41	2.75	.98	1.50	2.20		.53 (.57)	277.64			
51	2	160	200	51	25	110	110	42,9	77,8	28	42	65	2	13,5 (14,5)	189,0	M12x45 (M14x45)	1/2-13 UNC x 1-3/4	BFX90-306-N-W1
		2320	2900	2.01	.98	4.33	4.33	1.69	3.06	1.10	1.65	2.56		.53 (.57)	415.80			

6000 PSI High Pressure Series (based on ISO 6162-2:2002)

Nominal Size	PN ¹ (^{bar} / _{PSI})	Dimensions (^{mm} / _{in})											Weight (^{kg} / _{lbs}) ca. per 100	for Bolts		Ordering Codes		
		8.8	10.9 (MH)	ØA	D	F	G	H	I	M	P	Q		T (NPT)	ØK		Metric	UNC
13	1/2	350	420	13	16	60	56	18,2	40,5	19	20	37	1/2	8,7	30,0	M8x30	5/16-18 UNC x 1-1/4	BFX90-601-N-W1
		5075	6090	.51	.63	2.36	2.20	.72	1.59	.75	.79	1.46		.34	66.00			
13	1/2	350	420	13	16	60	56	18,2	40,5	19	20	37	3/8 (06)	8,7	30,0	M8x30	5/16-18 UNC x 1-1/4	BFX90-601-N06-W1
		5075	6090	.51	.63	2.36	2.20	.72	1.59	.75	.79	1.46		.34	66.00			
19	3/4	350	420	19	19	70	72	23,8	50,8	20	28	43	3/4	10,5	66,6	M10x35	3/8-16 UNC x 1-1/2	BFX90-602-N-W1
		5075	6090	.75	.75	2.76	2.83	.94	2.00	.79	1.10	1.69		.41	146.52			
25	1	350	420	25	21	85	79	27,8	57,2	22	34	51	1	13	109,0	M12x45	7/16-14 UNC x 1-3/4	BFX90-603-N-W1 ²
		5075	6090	.98	.83	3.35	3.11	1.09	2.25	.87	1.34	2.01		.51	239.80			
32	1-1/4	350	420	32	25	95	93	31,6	66,6	25	38	56	1-1/4	13,5	145,0	M12x45	1/2-13 UNC x 1-3/4	BFX90-604-N-W1
		5075	6090	1.26	.98	3.74	3.66	1.24	2.62	.98	1.50	2.20		.53	319.00			
32	1-1/4	350	420	32	25	95	93	31,6	66,6	25	38	56	1-1/4	15	150,4	M14x45		BFX90-604-N-M14-W1
		5075	6090	1.26	.98	3.74	3.66	1.24	2.62	.98	1.50	2.20		.59	330.88			
38	1-1/2	350	420	38	25	110	110	36,5	79,3	28	42	65	1-1/2	17	246,0	M16x50	5/8-11 UNC x 2	BFX90-605-N-W1
		5075	6090	1.50	.98	4.33	4.33	1.44	3.12	1.10	1.65	2.56		.67	541.20			
51	2	350	420	51	35	132	134	44,5	96,8	33	45	75	2	21	364,0	M20x70	3/4-10 UNC x 2-3/4	BFX90-606-N-W1
		5075	6090	2.01	1.38	5.20	5.28	1.75	3.81	1.30	1.77	2.95		.83	800.80			

Materials / Ordering Options / Examples

- * SAE Single-Part Flange (without O-ring) made of Steel S355J0 or equivalent, blank (oiled)
- * SAE Single-Part Flange (without O-ring) made of Stainless Steel V4A - 1.4404 (on request)

BFX90-...-N-W1
BFX90-...-N-W5

- * Size of connection thread deviating from the standard (e.g. 3/8 NPT)

BFX90-...-N06-W1

- * Kit including Metric bolts 8.8, spring rings, O-ring made of NBR (Buna-N®)
- * Kit including Metric bolts 8.8, spring rings, O-ring made of FKM (Viton®)
- * Kit including Metric bolts 10.9, spring rings, O-ring made of NBR (Buna-N®)
- * Kit including UNC bolts (Grade 8), spring rings, O-ring made of NBR (Buna-N®)

BFX90-...-N-W46-K
BFX90-...-N-V-W46-K
BFX90-...-N-MH-W1-K
BFX90-...-N-U-W1-K

¹ The maximum working pressure PN (bar/PSI) applies only to the flange itself and depends on the bolts used (Grade 8.8 / 10.9). The actual maximum working pressure depends on the thickness and the quality of the tube used.

² For UNC threaded bolts, use hexagon head bolts only. Please note that these do not belong to our product range.

³ Alternative options shown in brackets are available on request.

