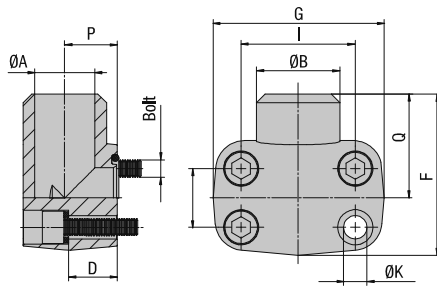


SAE 90° Single-Part Butt-Weld Flange for High Pressure Tubes  
Type BFX90-STC - 3000 / 6000 PSI Series



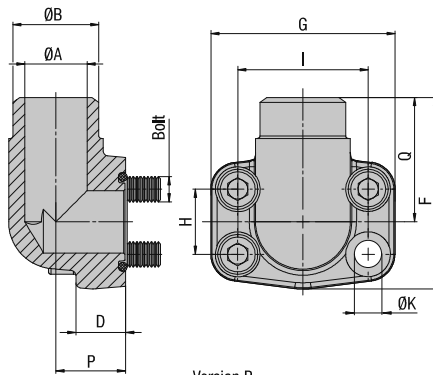
Version A



3000 PSI Standard Pressure Series (based on ISO 6162-1:2002)



Nominal Size	PN <sup>1</sup> ( <sup>bar</sup> / <sup>PSI</sup> )	Dimensions ( <sup>mm</sup> / <sup>in</sup> )												Weight ( <sup>kg</sup> / <sup>lbs</sup> ) ca. per 100	for Bolts Metric	Version	Ordering Codes
		8.8	10.9 (MH)	ØA	ØB	D	F	G	H	I	P	Q	ØK				
19	3/4	350	350	19	27	21	63	70	22,3	47,6	23	41	11	73,5	M10x40	A	BFX90-302-STC-27/19-W1 <sup>2</sup>
		5075	5075	.75	1.06	.83	2.48	2.76	.88	1.87	.91	1.61	.43	161.70			
25	1	350	350	23	34,5	24	72	75	26,2	52,4	25	48	11	85,0	M10x45	A	BFX90-303-STC-34.5/23-W1 <sup>3</sup>
		5075	5075	.91	1.36	.94	2.83	2.95	1.03	2.06	.98	1.89	.43	187.00			
32	1-1/4	250	315	31	43	25	82	86	30,2	58,7	27	54	11,5	80,0	M10x45	A	BFX90-304-STC-43/31-W1
		3625	4568	1.22	1.69	.98	3.23	3.39	1.19	2.31	1.06	2.13	.45	176.00			
38	1-1/2	200	250	35	50	29	92	97	35,7	69,9	31,5	57	14	189,4	M12x50	A	BFX90-305-STC-50/35-W1
		2900	3625	1.38	1.97	1.14	3.62	3.82	1.41	2.75	1.24	2.24	.55	416.68			
51	2	200	200	48	65	50	99	100	42,9	77,8	37,5	63	14	214,8	M12x70	A	BFX90-306-STC-65/48-W1
		2900	2900	1.89	2.56	1.97	3.90	3.94	1.69	3.06	1.48	2.48	.55	472.56			



Version B



6000 PSI High Pressure Series (based on ISO 6162-2:2002)

Nominal Size	PN <sup>1</sup> ( <sup>bar</sup> / <sup>PSI</sup> )	Dimensions ( <sup>mm</sup> / <sup>in</sup> )												Weight ( <sup>kg</sup> / <sup>lbs</sup> ) ca. per 100	for Bolts Metric	Version	Ordering Codes
		8.8	10.9 (MH)	ØA	ØB	D	F	G	H	I	P	Q	ØK				
19	3/4	350	420	19	28	19	70	71	23,8	50,8	22	40	11	50,1	M10x35	B	BFX90-602-STC-28/19-W1
		5075	6090	.75	1.10	.75	2.76	2.80	.94	2.00	.87	1.57	.43	110.22			
25	1	350	420	25	34	24	82	81	27,8	57,2	27	47	13	77,2	M12x45	B	BFX90-603-STC-34/25-W1
		5075	6090	.98	1.34	.94	3.23	3.19	1.09	2.25	1.06	1.85	.51	169.84			
32	1-1/4	350	420	32	42	27	95	95	31,8	66,6	32	56	15	119,6	M14x50	B	BFX90-604-STC-42/32-M14-W1
		5075	6090	1.26	1.65	1.06	3.74	3.74	1.25	2.62	1.26	2.20	.59	263.12			
38	1-1/2	350	420	38	48	30	115	113	36,5	79,3	40	68	17	193,7	M16x50	B	BFX90-605-STC-48/38-W1
		5075	6090	1.50	1.89	1.18	4.53	4.45	1.44	3.12	1.57	2.68	.67	426.14			

<sup>1</sup> The maximum working pressure PN (bar/PSI) applies only to the flange itself and depends on the bolts used (Grade 8.8 / 10.9). The actual maximum working pressure depends on the thickness and the quality of the tube used.

<sup>2</sup> Deviant O-ring size: 25,07 x 2,62 mm / .99 x .10 in

<sup>3</sup> Deviant O-ring size: 28,17 x 3,53 mm / 1.11 x .14 in

Materials / Ordering Options / Examples

- \* SAE Single-Part Flange (without O-ring) made of Steel S355J0 or equivalent, blank (oiled)
- \* SAE Single-Part Flange (without O-ring) made of Stainless Steel V4A – 1.4404 (on request)

BFX90-...-STC-\*\*-\*\*/-W1  
BFX90-...-STC-\*\*-\*\*/-W5

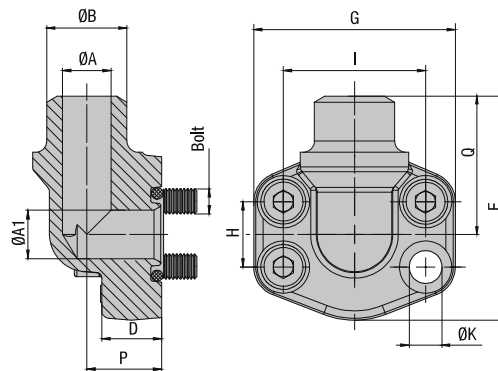
- \* Kit including Metric bolts 8.8, spring rings, O-ring made of NBR (Buna-N®)
- \* Kit including Metric bolts 8.8, spring rings, O-ring made of FKM (Viton®)
- \* Kit including Metric bolts 10.9, spring rings, O-ring made of NBR (Buna-N®)

BFX90-...-STC-V-\*\*-\*\*/-W46-K  
BFX90-...-STC-V-\*\*-\*\*/-W46-K  
BFX90-...-STC-\*\*-\*\*/-MH-W1-K

Please always indicate ØB / ØA.



**SAE 90° Single-Part Butt-Weld Flange for Metric Tubes**  
**Type BFX90-SRE - 3000 PSI Series**



3000 PSI Standard Pressure Series (based on ISO 6162-1:2002)

Nominal Size	PN <sup>1</sup> ( <sup>bar</sup> / <sup>PSI</sup> )	Dimensions ( <sup>mm</sup> / <sup>in</sup> )														Weight ( <sup>kg</sup> / <sup>lbs</sup> ) ca. per 100	for Bolts		Ordering Codes
		DN	(in)	8.8	10.9 (MH)	ØA	ØA1	ØB	D	F	G	H	I	P	Q		ØK <sup>3</sup>	Metric <sup>3</sup>	
13	1/2	350	350	14	13	20	16	60	54	17,5	38,1	20	37	8,7	26,9	M8x30	5/16-18 UNC x 1-1/4	BFX90-301-SRE-20/14-W1	
		5075	5075	.55	.51	.79	.63	2.36	2.13	.69	1.50	.79	1.46	.34	59.18				
13	1/2	350	350	18	13	22	16	60	54	17,5	38,1	20	37	8,7	27,5	M8x30	5/16-18 UNC x 1-1/4	BFX90-301-SRE-22/18-W1	
		5075	5075	.71	.51	.87	.63	2.36	2.13	.69	1.50	.79	1.46	.34	60.50				
13	1/2	350	350	19	13	25	16	60	54	17,5	38,1	20	37	8,7	28,0	M8x30	5/16-18 UNC x 1-1/4	BFX90-301-SRE-25/19-W1	
		5075	5075	.75	.51	.98	.63	2.36	2.13	.69	1.50	.79	1.46	.34	61.60				
19	3/4	350	350	19	19	25	18	63	65	22,3	47,6	24	38	10,5	40,6	M10x35	3/8-16 UNC x 1-1/2	BFX90-302-SRE-25/19-W1	
		5075	5075	.75	.75	.98	.71	2.48	2.56	.88	1.87	.94	1.50	.41	89.32				
19	3/4	350	350	22	19	28	18	63	65	22,3	47,6	24	38	10,5	39,0	M10x35	3/8-16 UNC x 1-1/2	BFX90-302-SRE-28/22-W1	
		5075	5075	.87	.75	1.10	.71	2.48	2.56	.88	1.87	.94	1.50	.41	85.80				
19	3/4	350	350	22	19	30	18	63	65	22,3	47,6	24	38	10,5	40,0	M10x35	3/8-16 UNC x 1-1/2	BFX90-302-SRE-30/22-W1	
		5075	5075	.87	.75	1.18	.71	2.48	2.56	.88	1.87	.94	1.50	.41	88.00				
19	3/4	350	350	27	19	35	18	63	65	22,3	47,6	24	38	10,5	42,0	M10x35	3/8-16 UNC x 1-1/2	BFX90-302-SRE-35/27-W1	
		5075	5075	1.06	.75	1.38	.71	2.48	2.56	.88	1.87	.94	1.50	.41	92.40				
25	1	250	315	22	25	30	19	70	70	26,2	52,4	28	43	10,5	56,5	M10x35	3/8-16 UNC x 1-1/2	BFX90-303-SRE-30/22-W1	
		3625	4568	.87	.98	1.18	.75	2.76	2.76	1.03	2.06	1.10	1.69	.41	124.30				
25	1	250	315	27	25	35	19	70	70	26,2	52,4	28	43	10,5	53,3	M10x35	3/8-16 UNC x 1-1/2	BFX90-303-SRE-35/27-W1	
		3625	4568	1.06	.98	1.38	.75	2.76	2.76	1.03	2.06	1.10	1.69	.41	117.26				
25	1	250	315	30	25	38	19	70	70	26,2	52,4	28	43	10,5	55,9	M10x35	3/8-16 UNC x 1-1/2	BFX90-303-SRE-38/30-W1	
		3625	4568	1.18	.98	1.50	.75	2.76	2.76	1.03	2.06	1.10	1.69	.41	122.98				
25	1	250	315	36	25	42	19	70	70	26,2	52,4	28	43	10,5	51,8	M10x35	3/8-16 UNC x 1-1/2	BFX90-303-SRE-42/36-W1	
		3625	4568	1.42	.98	1.65	.75	2.76	2.76	1.03	2.06	1.10	1.69	.41	113.96				
32	1-1/4	200	250	30	32	38	21	85	79	30,2	58,7	34	51	11,5 (13,5)	79,2	M10x40 (M12x40)	7/16-14 UNC x 1-1/2	BFX90-304-SRE-38/30-W1	
		2900	3625	1.18	1.26	1.50	.83	3.35	3.11	1.19	2.31	1.34	2.01	.45 (53)	174.24				
32	1-1/4	200	250	36	32	42	21	85	79	30,2	58,7	34	51	11,5 (13,5)	78,3	M10x40 (M12x40)	7/16-14 UNC x 1-1/2	BFX90-304-SRE-42/36-W1	
		2900	3625	1.42	1.26	1.65	.83	3.35	3.11	1.19	2.31	1.34	2.01	.45 (53)	172.26				
32	1-1/4	200	250	39	32	49	21	85	79	30,2	58,7	34	51	11,5 (13,5)	82,5	M10x40 (M12x40)	7/16-14 UNC x 1-1/2	BFX90-304-SRE-49/39-W1	
		2900	3625	1.54	1.26	1.93	.83	3.35	3.11	1.19	2.31	1.34	2.01	.45 (53)	181.50				
38	1-1/2	200	200	30	38	38	25	95	93	35,7	69,9	38	56	13,5 (14,5)	135,0	M12x45 (M14x45)	1/2-13 UNC x 1-3/4	BFX90-305-SRE-38/30-W1	
		2900	2900	1.18	1.50	1.50	.98	3.74	3.66	1.41	2.75	1.50	2.20	.53 (57)	297.00				
38	1-1/2	200	200	36	38	42	25	95	93	35,7	69,9	38	56	13,5 (14,5)	124,1	M12x45 (M14x45)	1/2-13 UNC x 1-3/4	BFX90-305-SRE-42/36-W1	
		2900	2900	1.42	1.50	1.65	.98	3.74	3.66	1.41	2.75	1.50	2.20	.53 (57)	273.02				
38	1-1/2	200	200	39	38	49	25	95	93	35,7	69,9	38	56	13,5 (14,5)	134,4	M12x45 (M14x45)	1/2-13 UNC x 1-3/4	BFX90-305-SRE-49/39-W1	
		2900	2900	1.54	1.50	1.93	.98	3.74	3.66	1.41	2.75	1.50	2.20	.53 (57)	295.68				
51	2	160	200	49	51	61	25	110	110	42,9	77,8	42	65	13,5 (14,5)	199,7	M12x45 (M14x45)	1/2-13 UNC x 1-3/4	BFX90-306-SRE-61/49-W1	
		2320	2900	1.93	2.01	2.40	.98	4.33	4.33	1.69	3.06	1.65	2.56	.53 (57)	439.34				

**Materials / Ordering Options / Examples**

- \* SAE Single-Part Flange (without O-ring) made of Steel S355J0 or equivalent, blank (oiled)
- \* SAE Single-Part Flange (without O-ring) made of Stainless Steel V4A – 1.4404 (on request)

**BFX90-...-SRE-\*\*-\*\*/-W1**  
**BFX90-...-SRE-\*\*-\*\*/-W5**

- \* Kit including Metric bolts 8.8, spring rings, O-ring made of NBR (Buna-N®)
- \* Kit including Metric bolts 8.8, spring rings, O-ring made of FKM (Viton®)
- \* Kit including Metric bolts 10.9, spring rings, O-ring made of NBR (Buna-N®)
- \* Kit including UNC bolts (Grade 8), spring rings, O-ring made of NBR (Buna-N®)

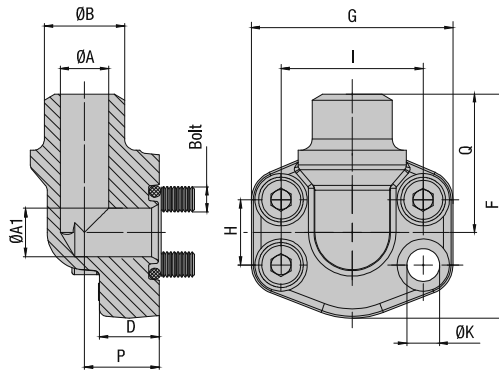
**BFX90-...-SRE-\*\*-\*\*/-W46-K**  
**BFX90-...-SRE-\*\*-\*\*/-V-W46-K**  
**BFX90-...-SRE-\*\*-\*\*/-MH-W1-K**  
**BFX90-...-SRE-\*\*-\*\*/-U-W1-K**

Please always indicate ØB / ØA.

<sup>1</sup> The maximum working pressure PN (bar/PSI) applies only to the flange itself and depends on the bolts used (Grade 8.8 / 10.9). The actual maximum working pressure depends on the thickness and the quality of the tube used.

<sup>3</sup> Alternative options shown in brackets are available on request.





SAE 90° Single-Part Butt-Weld Flange for Metric Tubes  
Type BFX90-SRE - 6000 PSI Series



6000 PSI High Pressure Series (based on ISO 6162-2:2002)



Nominal Size	PN <sup>1</sup> ( <sup>bar</sup> / <sub>PSI</sub> )	Dimensions ( <sup>mm</sup> / <sub>in</sub> )													Weight ( <sup>kg</sup> / <sub>lbs</sub> ) ca. per 100	for Bolts		Ordering Codes
		DN	(in)	8.8	10.9 (MH)	ØA	ØA1	ØB	D	F	G	H	I	P		Q	ØK	
13	1/2	350	420	14	13	20	16	60	54	18,2	40,5	20	37	8,7	26,6	M8x30	5/16-18 UNC x 1-1/4	BFX90-601-SRE-20/14-W1
		5075	6090	.55	.51	.79	.63	2.36	2.13	.72	1.59	.79	1.46	.34	58.52			
13	1/2	350	420	17	13	25	16	60	54	18,2	40,5	20	37	8,7	28,3	M8x30	5/16-18 UNC x 1-1/4	BFX90-601-SRE-25/17-W1
		5075	6090	.67	.51	.98	.63	2.36	2.13	.72	1.59	.79	1.46	.34	62.26			
19	3/4	350	420	17	19	25	19	70	72	23,8	50,8	28	43	10,5	62,2	M10x35	3/8-16 UNC x 1-1/2	BFX90-602-SRE-25/17-W1
		5075	6090	.67	.75	.98	.75	2.76	2.83	.94	2.00	1.10	1.69	.41	136.84			
19	3/4	350	420	22	19	30	19	70	72	23,8	50,8	28	43	10,5	60,6	M10x35	3/8-16 UNC x 1-1/2	BFX90-602-SRE-30/22-W1
		5075	6090	.87	.75	1.18	.75	2.76	2.83	.94	2.00	1.10	1.69	.41	133.32			
25	1	350	420	22	25	30	21	85	79	27,8	57,2	34	51	13,5	94,4	M12x45	7/16-14 UNC x 1-3/4	BFX90-603-SRE-30/22-W1 <sup>2</sup>
		5075	6090	.87	.98	1.18	.83	3.35	3.11	1.09	2.25	1.34	2.01	.53	207.68			
25	1	350	420	28	25	38	21	85	79	27,8	57,2	34	51	13,5	90,9	M12x45	7/16-14 UNC x 1-3/4	BFX90-603-SRE-38/28-W1 <sup>2</sup>
		5075	6090	1.10	.98	1.50	.83	3.35	3.11	1.09	2.25	1.34	2.01	.53	199.98			
32	1-1/4	350	420	28	32	38	25	95	93	31,8	66,6	38	56	13,5	139,0	M12x45	1/2-13 UNC x 1-3/4	BFX90-604-SRE-38/28-W1
		5075	6090	1.10	1.26	1.50	.98	3.74	3.66	1.25	2.62	1.50	2.20	.53	305.80			
32	1-1/4	350	420	28	32	38	25	95	93	31,8	66,6	38	56	15	138,6	M14x45		BFX90-604-SRE-38/28-M14-W1
		5075	6090	1.10	1.26	1.50	.98	3.74	3.66	1.25	2.62	1.50	2.20	.59	304.92			
32	1-1/4	350	420	32	32	49	25	95	93	31,8	66,6	38	56	13,5	145,0	M12x45	1/2-13 UNC x 1-3/4	BFX90-604-SRE-49/32 -W1
		5075	6090	1.26	1.26	1.93	.98	3.74	3.66	1.25	2.62	1.50	2.20	.53	319.00			
32	1-1/4	350	420	32	32	49	25	95	93	31,8	66,6	38	56	15	146,0	M14x45		BFX90-604-SRE-49/32-M14-W1
		5075	6090	1.26	1.26	1.93	.98	3.74	3.66	1.25	2.62	1.50	2.20	.59	321.20			
38	1-1/2	350	420	28	38	38	25	110	110	36,5	79,3	42	65	17	240,3	M16x50	5/8-11 UNC x 2	BFX90-605-SRE-38/28-W1
		5075	6090	1.10	1.50	1.50	.98	4.33	4.33	1.44	3.12	1.65	2.56	.67	528.66			
38	1-1/2	350	420	32	38	49	25	110	110	36,5	79,3	42	65	17	241,1	M16x50	5/8-11 UNC x 2	BFX90-605-SRE-49/32-W1
		5075	6090	1.26	1.50	1.93	.98	4.33	4.33	1.44	3.12	1.65	2.56	.67	530.42			
38	1-1/2	350	420	40	38	61	25	110	110	36,5	79,3	42	65	17	236,2	M16x50	5/8-11 UNC x 2	BFX90-605-SRE-61/40-W1
		5075	6090	1.57	1.50	2.40	.98	4.33	4.33	1.44	3.12	1.65	2.56	.67	519.64			
51	2	350	420	40	51	61	35	132	134	44,5	96,8	45	75	21	374,6	M20x70	3/4-10 UNC x 2-3/4	BFX90-606-SRE-61/40-W1
		5075	6090	1.57	2.01	2.40	1.38	5.20	5.28	1.75	3.81	1.77	2.95	.83	824.12			
51	2	350	420	50	51	76	35	132	134	44,5	96,8	45	75	21	387,4	M20x70	3/4-10 UNC x 2-3/4	BFX90-606-SRE-76/50-W1
		5075	6090	1.97	2.01	2.99	1.38	5.20	5.28	1.75	3.81	1.77	2.95	.83	852.28			

<sup>1</sup> The maximum working pressure PN (bar/PSI) applies only to the flange itself and depends on the bolts used (Grade 8.8 / 10.9). The actual maximum working pressure depends on the thickness and the quality of the tube used.

<sup>2</sup> For UNC threaded bolts, use hexagon head bolts only. Please note that these do not belong to our product range.

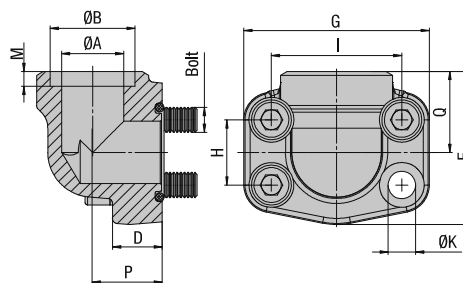
Materials / Ordering Options / Examples

- \* SAE Single-Part Flange (without O-ring) made of Steel S355J0 or equivalent, blank (oiled) BFX90-...-SRE-\*\*-\*\*/-W1
- \* SAE Single-Part Flange (without O-ring) made of Stainless Steel V4A – 1.4404 (on request) BFX90-...-SRE-\*\*-\*\*/-W5
- \* Kit including Metric bolts 8.8, spring rings, O-ring made of NBR (Buna-N®) BFX90-...-SRE-\*\*-\*\*/-W46-K
- \* Kit including Metric bolts 8.8, spring rings, O-ring made of FKM (Viton®) BFX90-...-SRE-\*\*-\*\*/-V-W46-K
- \* Kit including Metric bolts 10.9, spring rings, O-ring made of NBR (Buna-N®) BFX90-...-SRE-\*\*-\*\*/-MH-W1-K
- \* Kit including UNC bolts (Grade 8), spring rings, O-ring made of NBR (Buna-N®) BFX90-...-SRE-\*\*-\*\*/-J-W1-K

Please always indicate ØB / ØA.



**SAE 90° Single-Part Socket-Weld Flange  
Type BFX90-ES - 3000 PSI Series**



C

3000 PSI Standard Pressure Series (based on ISO 6162-1:2002)

Nominal Size	PN <sup>1</sup> ( <sup>bar</sup> / <sup>PSI</sup> )	Dimensions ( <sup>mm</sup> / <sup>in</sup> )														Weight ( <sup>kg</sup> / <sup>lbs</sup> ) ca. per 100	for Bolts		Ordering Codes		
		8.8	10.9 (MH)	ØA	ØB	D	F	G	H	I	M	P	Q	ØK <sup>3</sup>	Metric <sup>3</sup>		UNC				
13	1/2	350	350	13	21,6	16	60	54	17,5	38,1							8,7	30,5	M8x30	5/16-18 UNC x 1-1/4	BFX90-301-ES-21.6/13-W1
		5075	5075	.51	.85	.63	2.36	2.13	.69	1.50	.39	.79	1.46	.34				67.10			
13	1/2	350	350	13	17,5	16	60	54	17,5	38,1							8,7	31,1	M8x30	5/16-18 UNC x 1-1/4	BFX90-301-ES-17.5/13-W1
		5075	5075	.51	.69	.63	2.36	2.13	.69	1.50	.39	.79	1.46	.34				68.42			
19	3/4	350	350	19	27,2	18	63	65	22,3	47,6							10,5	45,3	M10x35	3/8-16 UNC x 1-1/2	BFX90-302-ES-27.2/19-W1
		5075	5075	.75	1.07	.71	2.48	2.56	.88	1.87	.39	.94	1.50	.41				99.66			
25	1	250	315	25	34	19	70	70	26,2	52,4							10,5	57,9	M10x35	3/8-16 UNC x 1-1/2	BFX90-303-ES-34/25-W1
		3625	4568	.98	1.34	.75	2.76	2.76	1.03	2.06	.47	1.10	1.69	.41				127.38			
32	1-1/4	200	250	32	42,8	21	85	79	30,2	58,7							11,5 (13,5)	91,2	M10x40 (M12x40)	7/16-14 UNC x 1-1/2	BFX90-304-ES-42.8/32-W1
		2900	3625	1.26	1.69	.83	3.35	3.11	1.19	2.31	.55	1.34	2.01	.45 (53)				200.64			
38	1-1/2	200	200	38	48,6	25	95	93	35,7	69,9							13,5 (14,5)	129,2	M12x45 (M14x45)	1/2-13 UNC x 1-3/4	BFX90-305-ES-48.6/38-W1
		2900	2900	1.50	1.91	.98	3.74	3.66	1.41	2.75	.63	1.50	2.20	.53 (57)				284.24			
51	2	160	200	51	61	25	110	110	42,9	77,8							13,5 (14,5)	193,9	M12x45 (M14x45)	1/2-13 UNC x 1-3/4	BFX90-306-ES-61/51-W1
		2320	2900	2.01	2.40	.98	4.33	4.33	1.69	3.06	.71	1.65	2.56	.53 (57)				426.58			

**Materials / Ordering Options / Examples**

- \* SAE Single-Part Flange (without O-ring) made of Steel S355J0 or equivalent, blank (oiled)
- \* SAE Single-Part Flange (without O-ring) made of Stainless Steel V4A - 1.4404 (on request)

BFX90-...-ES-\*\*-\*\*/-W1  
BFX90-...-ES-\*\*-\*\*/-W5

- \* Kit including Metric bolts 8.8, spring rings, O-ring made of NBR (Buna-N®)
- \* Kit including Metric bolts 8.8, spring rings, O-ring made of FKM (Viton®)
- \* Kit including Metric bolts 10.9, spring rings, O-ring made of NBR (Buna-N®)
- \* Kit including UNC bolts (Grade 8), spring rings, O-ring made of NBR (Buna-N®)

BFX90-...-ES-\*\*-\*\*/-W46-K  
BFX90-...-ES-\*\*-\*\*/-V-W46-K  
BFX90-...-ES-\*\*-\*\*/-MH-W1-K  
BFX90-...-ES-\*\*-\*\*/-U-W1-K

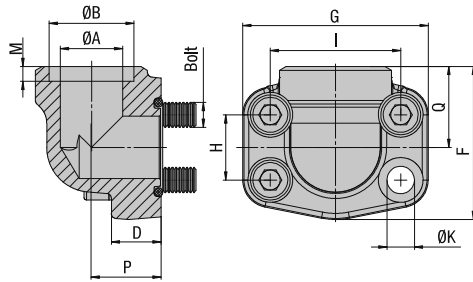
Please always indicate ØB / ØA.

<sup>1</sup> The maximum working pressure PN (bar/PSI) applies only to the flange itself and depends on the bolts used (Grade 8.8 / 10.9). The actual maximum working pressure depends on the thickness and the quality of the tube used.

<sup>3</sup> Alternative options shown in brackets are available on request.



SAE 90° Single-Part Socket-Weld Flange  
Type BFX90-ES - 6000 PSI Series



6000 PSI High Pressure Series (based on ISO 6162-2:2002)

Nominal Size	PN <sup>1</sup> ( <sup>bar</sup> / <sup>PSI</sup> )	Dimensions ( <sup>mm</sup> / <sup>in</sup> )													Weight ( <sup>kg</sup> / <sup>lbs</sup> ) ca. per 100	for Bolts		Ordering Codes
		DN	(in)	8.8	10.9 (MH)	ØA	ØB	D	F	G	H	I	M	P		Q	ØK	
13	1/2	350	420	13	21.6	16	60	54	18.2	40.5	10	20	37	8.7	30.1	M8x30	5/16-18 UNC x 1-1/4	BFX90-601-ES-21.6/13-W1
		5075	6090	.51	.85	.63	2.36	2.13	.72	1.59	.39	.79	1.46	.34	66.22			
13	1/2	350	420	13	17.5	16	60	54	18.2	40.5	10	20	37	8.7	31.3	M8x30	5/16-18 UNC x 1-1/4	BFX90-601-ES-17.5/13-W1
		5075	6090	.51	.69	.63	2.36	2.13	.72	1.59	.39	.79	1.46	.34	68.86			
19	3/4	350	420	19	27.2	19	70	72	23.8	50.8	12	28	43	10.5	70.5	M10x35	3/8-16 UNC x 1-1/2	BFX90-602-ES-27.2/19-W1
		5075	6090	.75	1.07	.75	2.76	2.83	.94	2.00	.47	1.10	1.69	.41	155.10			
19	3/4	350	420	16/19	20,3	19	70	72	23.8	50.8	12	28	43	10,5	54,0	M10x35	3/8-16 UNC x 1-1/2	BFX90-602-ES-20.3/16-W1
		5075	6090	.63/.74	.80	.75	2.76	2.83	.94	2.00	.47	1.10	1.69	.41	118.80			
19	3/4	350	420	19	25,3	19	70	72	23,8	50,8	12	28	43	10,5	72,9	M10x35	3/8-16 UNC x 1-1/2	BFX90-602-ES-25.3/19-W1
		5075	6090	.75	1.00	.75	2.76	2.83	.94	2.00	.47	1.10	1.69	.41	160.38			
19	3/4	350	420	25/19	30,3	19	70	72	23,8	50,8	12	28	43	10,5	65,3	M10x35	3/8-16 UNC x 1-1/2	BFX90-602-ES-30.3/25-W1
		5075	6090	.98/.74	1.19	.75	2.76	2.83	.94	2.00	.47	1.10	1.69	.41	143.66			
25	1	350	420	25	34	21	85	79	27,8	57,2	14	34	51	13	108,2	M12x45	7/16-14 UNC x 1-3/4	BFX90-603-ES-34/25-W1 <sup>2</sup>
		5075	6090	.98	1.34	.83	3.35	3.11	1.09	2.25	.55	1.34	2.01	.51	238.04			
25	1	350	420	25	30,3	21	85	79	27,8	57,2	14	34	51	13	113,9	M12x45	7/16-14 UNC x 1-3/4	BFX90-603-ES-30.3/25-W1 <sup>2</sup>
		5075	6090	.98	1.19	.83	3.35	3.11	1.09	2.25	.55	1.34	2.01	.51	250.58			
32	1-1/4	350	420	32	42,8	25	95	93	31,8	66,6	16	38	56	13,5	161,7	M12x45	1/2-13 UNC x 1-3/4	BFX90-604-ES-42.8/32-W1
		5075	6090	1.26	1.69	.98	3.74	3.66	1.25	2.62	.63	1.50	2.20	.53	355.74			
32	1-1/4	350	420	32	42,8	25	95	93	31,8	66,6	16	38	56	15	145,5	M14x45		BFX90-604-ES-42.8/32-M14-W1
		5075	6090	1.26	1.69	.98	3.74	3.66	1.25	2.62	.63	1.50	2.20	.59	320.10			
32	1-1/4	350	420	22/32	30,3	25	95	93	31,8	66,6	16	38	56	13,5	177,0	M12x45	1/2-13 UNC x 1-3/4	BFX90-604-ES-30.3/22-W1
		5075	6090	.87/1.25	1.19	.98	3.74	3.66	1.25	2.62	.63	1.50	2.20	.53	389.40			
32	1-1/4	350	420	22/32	30,3	25	95	93	31,8	66,6	16	38	56	15	176,6	M14x45		BFX90-604-ES-30.3/22-M14-W1
		5075	6090	.87/1.25	1.19	.98	3.74	3.66	1.25	2.62	.63	1.50	2.20	.59	388.52			
32	1-1/4	350	420	27/32	38,3	25	95	93	31,8	66,6	16	38	56	13,5	176,6	M12x45	1/2-13 UNC x 1-3/4	BFX90-604-ES-38.3/27-W1
		5075	6090	1.06/1.25	1.51	.98	3.74	3.66	1.25	2.62	.63	1.50	2.20	.53	388.52			
32	1-1/4	350	420	27/32	38,3	25	95	93	31,8	66,6	16	38	56	15	161,7	M14x45		BFX90-604-ES-38.3/27-M14-W1
		5075	6090	1.06/1.25	1.51	.98	3.74	3.66	1.25	2.62	.63	1.50	2.20	.59	355.74			
38	1-1/2	350	420	38	48,6	25	110	110	36,5	79,3	18	42	65	17	254,2	M16x50	5/8-11 UNC x 2	BFX90-605-ES-48.6/38-W1
		5075	6090	1.50	1.91	.98	4.33	4.33	1.44	3.12	.71	1.65	2.56	.67	559.24			
51	2	350	420	51	61	35	132	134	44,5	96,8	28	45	75	21	333,6	M20x70	3/4-10 UNC x 2-3/4	BFX90-606-ES-61/51-W1
		5075	6090	2.01	2.40	1.38	5.20	5.28	1.75	3.81	1.10	1.77	2.95	.83	733.92			

<sup>1</sup> The maximum working pressure PN (bar/PSI) applies only to the flange itself and depends on the bolts used (Grade 8.8 / 10.9). The actual maximum working pressure depends on the thickness and the quality of the tube used.

<sup>2</sup> For UNC threaded bolts, use hexagon head bolts only. Please note that these do not belong to our product range.

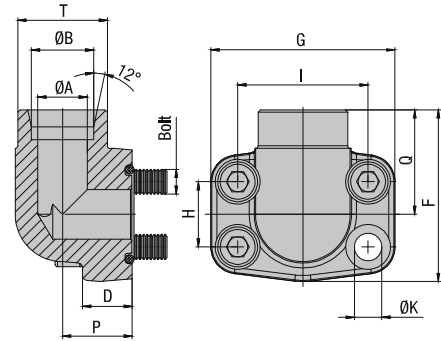
Materials / Ordering Options / Examples

- \* SAE Single-Part Flange (without O-ring) made of Steel S355J0 or equivalent, blank (oiled) BFX90-...-ES-\*/\*\*/-W1
- \* SAE Single-Part Flange (without O-ring) made of Stainless Steel V4A - 1.4404 (on request) BFX90-...-ES-\*/\*\*/-W5
- \* Kit including Metric bolts 8.8, spring rings, O-ring made of NBR (Buna-N®) BFX90-...-ES-\*/\*\*/-W46-K
- \* Kit including Metric bolts 8.8, spring rings, O-ring made of FKM (Viton®) BFX90-...-ES-\*/\*\*/-V-W46-K
- \* Kit including Metric bolts 10.9, spring rings, O-ring made of NBR (Buna-N®) BFX90-...-ES-\*/\*\*/-MH-W1-K
- \* Kit including UNC bolts (Grade 8), spring rings, O-ring made of NBR (Buna-N®) BFX90-...-ES-\*/\*\*/-U-W1-K

Please always indicate ØB / ØA.



**SAE 90° Single-Part Flange with Male Metric Thread and 24° Conical Bore (acc. to ISO 8434-1) - Type BFX90-L/S - 3000 PSI Series**



**C**

3000 PSI Standard Pressure Series (based on ISO 6162-1:2002)

Nominal Size	PN <sup>1</sup> ( <sup>bar</sup> / <sub>PSI</sub> )	Dimensions ( <sup>mm</sup> / <sub>in</sub> )				Series	D	F	G	H	I	P	Q	T (Metric)	ØK	Weight for Bolts		Ordering Codes
		8.8	10.9 (MH)	ØA	ØB											( <sup>kg</sup> / <sub>lbs</sub> ) ca. per 100	Metric	
13	1/2	315	315	11	15	L	16	60	54	17,5	38,1	18	36	22x1,5	9	31,3	M8x30	BFX90-301-15L-W66
		4568	4568	.43	.59		.63	2.36	2.13	.69	1.50	.71	1.42			.35		
13	1/2	350	350	12	16	S	16	60	54	17,5	38,1	18	36	24x1,5	9	29,4	M8x30	BFX90-301-16S-W66
		5075	5075	.47	.63		.63	2.36	2.13	.69	1.50	.71	1.42			.35		
19	3/4	350	350	12	16	S	18	63	65	22,3	47,6	22	38	24x1,5	11	29,5	M10x35	BFX90-302-16S-W66
		5075	5075	.47	.63		.71	2.48	2.56	.88	1.87	.87	1.50			.43		
19	3/4	350	350	16	20	S	18	63	65	22,3	47,6	22	38	30x2	11	43,8	M10x35	BFX90-302-20S-W66
		5075	5075	.63	.79		.71	2.48	2.56	.88	1.87	.87	1.50			.43		
19	3/4	160	160	18	22	L	18	63	65	22,3	47,6	22	38	30x2	11	43,1	M10x35	BFX90-302-22L-W66
		2320	2320	.71	.87		.71	2.48	2.56	.88	1.87	.87	1.50			.43		
25	1	250	315	20	25	S	19	70	70	26,2	52,4	28	42	36x2	11	62,5	M10x35	BFX90-303-25S-W66
		3625	4568	.79	.98		.75	2.76	2.76	1.03	2.06	1.10	1.65			.43		
25	1	160	160	23	28	L	19	70	70	26,2	52,4	28	42	36x2	11	63,4	M10x35	BFX90-303-28L-W66
		2320	2320	.91	1.10		.75	2.76	2.76	1.03	2.06	1.10	1.65			.43		
32	1-1/4	200	250	20	25	S	22	85	79	30,2	58,7	30	50	36x2	11,5	109,1	M10x40	BFX90-304-25S-W66
		2900	3625	.79	.98		.87	3.35	3.11	1.19	2.31	1.18	1.97			.45		
32	1-1/4	200	250	25	30	S	22	85	79	30,2	58,7	30	50	42x2	11,5	103,4	M10x40	BFX90-304-30S-W66
		2900	3625	.98	1.18		.87	3.35	3.11	1.19	2.31	1.18	1.97			.45		
32	1-1/4	160	160	30	35	L	22	85	79	30,2	58,7	30	50	45x2	11,5	89,9	M10x40	BFX90-304-35L-W66
		2320	2320	1.18	1.38		.87	3.35	3.11	1.19	2.31	1.18	1.97			.45		
38	1-1/2	200	200	32	38	S	25	95	93	35,7	69,8	36	58	52x2	13,5	151,6	M12x45	BFX90-305-38S-W66
		2900	2900	1.26	1.50		.98	3.74	3.66	1.41	2.75	1.42	2.28			.53		
38	1-1/2	160	160	36	42	L	25	95	93	35,7	69,8	36	58	52x2	13,5	141,3	M12x45	BFX90-305-42L-W66
		2320	2320	1.42	1.65		.98	3.74	3.66	1.41	2.75	1.42	2.28			.53		

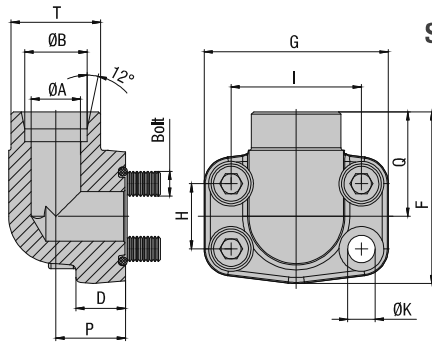
**Materials / Ordering Options / Examples**

- \* SAE Single-Part Flange (without O-ring) made of Steel S355J0 / C45 or equivalent, zinc-plated and thick-film-passivated BFX90-...-...-W66
- \* SAE Single-Part Flange (without O-ring) made of Stainless Steel V4A – 1.4404 (on request) BFX90-...-...-W5
- \* Kit including Metric bolts 8.8, spring rings, O-ring made of NBR (Buna-N®) BFX90-...-...-W66-K
- \* Kit including Metric bolts 8.8, spring rings, O-ring made of FKM (Viton®) BFX90-...-...-V-W66-K
- \* Kit including Metric bolts 10.9, spring rings, O-ring made of NBR (Buna-N®) BFX90-...-...-MH-W129-K

Please always indicate ØB and Series.

<sup>1</sup> The maximum working pressure PN (bar/PSI) applies only to the flange itself and depends on the bolts used (Grade 8.8 / 10.9). The actual maximum working pressure depends on the thickness and the quality of the tube used.



**SAE 90° Single-Part Flange with Male Metric Thread and 24° Conical Bore  
(acc. to ISO 8434-1) ▪ Type BFX90-L/S ▪ 6000 PSI Series**

**6000 PSI High Pressure Series (based on ISO 6162-2:2002)**
**C**

Nominal Size	PN <sup>1</sup> ( <sup>bar</sup> /PSI)	Dimensions ( <sup>mm</sup> / <sup>in</sup> )				Series	D	F	G	H	I	P	Q	T (Metric)	ØK	Weight ( <sup>kg</sup> / <sup>lbs</sup> ) ca. per 100	for Bolts Metric	Ordering Codes
		8.8	10.9 (MH)	ØA	ØB													
13	1/2	350	420	12	16	S	16	60	54	18,2	40,5	20	36	24x1,5	9	29,8	M8x30	BFX90-601-16S-W66
		5075	6090	.47	.63													
19	3/4	350	420	12	16	S	19	70	72	23,8	50,8	26	41	24x1,5	11	64,3	M10x35	BFX90-602-16S-W66
		5075	6090	.47	.63													
19	3/4	350	400	20	20	S	19	70	72	23,8	50,8	26	41	30x2	11	66,5	M10x35	BFX90-602-20S-W66
		5075	5800	.79	.79													
25	1	350	400	20	25	S	24	85	79	27,8	57,2	30	50	36x2	13	106,3	M12x40	BFX90-603-25S-W66 <sup>2</sup>
		5075	5800	.79	.98													
32	1-1/4	350	400	25	30	S	25	95	93	31,8	66,6	36	58	42x2	15	159,5	M14x45	BFX90-604-30S-M14-W66
		5075	5800	.98	1.18													
38	1-1/2	350	350	32	38	S	26	110	110	36,5	79,3	41	65	52x2	17	240,2	M16x50	BFX90-605-38S-W66
		5075	5075	1.26	1.50													

<sup>1</sup> The maximum working pressure PN (bar/PSI) applies only to the flange itself and depends on the bolts used (Grade 8.8 / 10.9). The actual maximum working pressure depends on the thickness and the quality of the tube used.

<sup>2</sup> For UNC threaded bolts, use hexagon head bolts only. Please note that these do not belong to our product range.

**Materials / Ordering Options / Examples**

- \* SAE Single-Part Flange (without O-ring) made of Steel S355J0 / C45 or equivalent, blank (oiled) zinc-plated and thick-film-passivated BFX90-...-...-W66
- \* SAE Single-Part Flange (without O-ring) made of Stainless Steel V4A – 1.4404 (on request) BFX90-...-...-W5
- \* Kit including Metric bolts 8.8, spring rings, O-ring made of NBR (Buna-N®) BFX90-...-...-W66-K
- \* Kit including Metric bolts 8.8, spring rings, O-ring made of FKM (Viton®) BFX90-...-...-V-W66-K
- \* Kit including Metric bolts 10.9, spring rings, O-ring made of NBR (Buna-N®) BFX90-...-...-MH-W129-K

Please always indicate ØB and Series.

