
















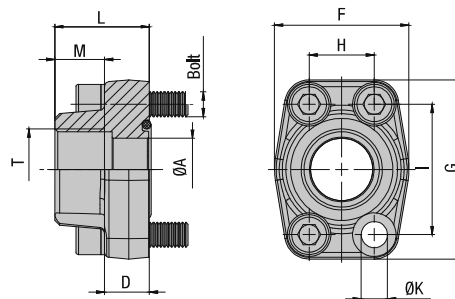
	SAE Single-Part Flange with Female BSPP Thread BFX-G	40
	SAE Single-Part Counterflange with Female BSPP Thread BAS-G	42
	SAE Single-Part Flange with Female NPT Thread BFX-N	44
	SAE Single-Part Counterflange with Female NPT Thread BAS-N	46
	SAE Single-Part Flange with Female UN/UNF Thread BFX-U	48
	SAE Single-Part Butt-Weld Flange for High Pressure Tubes BFX-ST	50
	SAE Single-Part Butt-Weld Counterflange for High Pressure Tubes BAS-ST	52
	SAE Single-Part Butt-Weld Flange for Low Pressure Tubes BFX-STRE	54
	SAE Single-Part Butt-Weld Counterflange for Low Pressure Tubes BAS-STRE	55
	SAE Single-Part Butt-Weld Flange for Metric Tubes BFX-SRE	56
	SAE Single-Part Butt-Weld Counterflange for Metric Tubes BAS-SRE	58
	SAE Single-Part Socket-Weld Flange BFX-ES	60
	SAE Single-Part Socket-Weld Counterflange BAS-ES	62
	SAE Single-Part Socket-Weld Flange (Flat Style) BFX-FL-ES	64
	SAE Single-Part Socket-Weld Counterflange (Flat Style) BAS-FL-ES	65
	SAE Single-Part Flange with Male Metric Thread and 24° Conical Bore (Shape W acc. to DIN 3861) BFX-L/S	66
	SAE Single-Part Flange with Male BSPP Thread and 60° Conical Bore (acc. to BS 5200) BFX-B	68
	SAE Single-Part Flange with Male UN/UNF Thread and 37° JIC Taper (acc. to ISO 8434-2 / SAE J514) BFX-J	70

	SAE 90° Single-Part Flange with Female BSPP Thread BFX90-G	71
	SAE 90° Single-Part Flange with Female NPT Thread BFX90-N	72
	SAE 90° Single-Part Butt-Weld Flange for High Pressure Tubes BFX90-STC	73
	SAE 90° Single-Part Butt-Weld Flange for Metric Tubes BFX90-SRE	74
	SAE 90° Single-Part Socket-Weld Flange BFX90-ES	76
	SAE 90° Single-Part Flange with Male Metric Thread and 24° Conical Bore (Shape W acc. to DIN 3861) BFX90-L/S	78

C



**SAE Single-Part Flange with Female BSPP Thread
Type BFX-G - 3000 PSI Series**



C

3000 PSI Standard Pressure Series (based on ISO 6162-1:2002)

Nominal Size	PN ¹ (^{bar} / _{PSI})	Dimensions (^{mm} / _{in})											Weight (^{kg} / _{lbs}) ca. per 100	for Bolts		Ordering Codes		
		DN	(in)	8.8	10.9 (MH)	ØA	D	F	G	H	I	L		M	T (BSPP)		ØK ³	Metric ³
13	1/2	350	350	13	16	47	57	17,5	38,1	36	15		1/2	8,7	27,6	M8x30	5/16-18 UNC x 1-1/4	BFX-301-G-W1
		5075	5075	.51	.63	1.85	2.24	.69	1.50	1.42	.59			.34	60.72			
13	1/2	350	350	13	16	47	57	17,5	38,1	36	20		3/8 (06)	8,7	29,3	M8x30	5/16-18 UNC x 1-1/4	BFX-301-G06-W1
		5075	5075	.51	.63	1.85	2.24	.69	1.50	1.42	.79			.34	64.46			
19	3/4	350	350	19	18	50	67	22,3	47,6	36	18		3/4	10,5	38,6	M10x35	3/8-16 UNC x 1-1/2	BFX-302-G-W1
		5075	5075	.75	.71	1.97	2.64	.88	1.87	1.42	.71			.41	84.92			
19	3/4	350	350	13	18	50	67	22,3	47,6	36	15		1/2 (08)	10,5	40,3	M10x35	3/8-16 UNC x 1-1/2	BFX-302-G08-W1
		5075	5075	.51	.71	1.97	2.64	.88	1.87	1.42	.59			.41	88.66			
25	1	250	315	25	18	54	72	26,2	52,4	38	20		1	10,5	45,4	M10x35	3/8-16 UNC x 1-1/2	BFX-303-G-W1
		3625	4568	.98	.71	2.13	2.83	1.03	2.06	1.50	.79			.41	99.88			
25	1	250	315	19	18	54	72	26,2	52,4	38	18		3/4 (12)	10,5	54,0	M10x35	3/8-16 UNC x 1-1/2	BFX-303-G12-W1
		3625	4568	.75	.71	2.13	2.83	1.03	2.06	1.50	.71			.41	118.80			
32	1-1/4	200	250	31	21	68	82	30,2	58,7	41	22		1-1/4	11,5 (13,5)	67,9	M10x40 (M12x40)	7/16-14 UNC x 1-1/2	BFX-304-G-W1
		2900	3625	1.22	.83	2.68	3.23	1.19	2.31	1.61	.87			.45 (53)	149.38			
32	1-1/4	200	250	25	21	68	82	30,2	58,7	41	20		1 (16)	11,5 (13,5)	85,5	M10x40 (M12x40)	7/16-14 UNC x 1-1/2	BFX-304-G16-W1
		2900	3625	.98	.83	2.68	3.23	1.19	2.31	1.61	.79			.45 (53)	188.10			
38	1-1/2	200	200	38	25	79	96	35,7	69,9	44	24		1-1/2	13,5 (14,5)	113,9	M12x45 (M14x45)	1/2-13 UNC x 1-3/4	BFX-305-G-W1
		2900	2900	1.50	.98	3.11	3.78	1.41	2.75	1.73	.94			.53 (57)	250.58			
38	1-1/2	200	200	31	25	79	96	35,7	69,9	44	22		1-1/4 (20)	13,5 (14,5)	119,7	M12x45 (M14x45)	1/2-13 UNC x 1-3/4	BFX-305-G20-W1
		2900	2900	1.22	.98	3.11	3.78	1.41	2.75	1.73	.87			.53 (57)	263.34			
51	2	160	200	50	25,5	88	102	42,9	77,8	45	26		2	13,5 (14,5)	120,4	M12x45 (M14x45)	1/2-13 UNC x 1-3/4	BFX-306-G-W1
		2320	2900	1.97	1.00	3.46	4.02	1.69	3.06	1.77	1.02			.53 (57)	264.88			
51	2	160	200	38	25,5	88	102	42,9	77,8	45	24		1-1/2 (24)	13,5 (14,5)	154,6	M12x45 (M14x45)	1/2-13 UNC x 1-3/4	BFX-306-G24-W1
		2320	2900	1.50	1.00	3.46	4.02	1.69	3.06	1.77	.94			.53 (57)	340.12			
64	2-1/2	100	160	63	26	101	115	50,8	88,9	50	30		2-1/2	13,5 (14,5)	154,5	M12x45 (M14x45)	1/2-13 UNC x 1-3/4	BFX-307-G-W1
		1450	2320	2.48	1.02	3.98	4.53	2.00	3.50	1.97	1.18			.53 (57)	339.90			
64	2-1/2	100	160	50	26	101	115	50,8	88,9	50	26		2 (32)	13,5 (14,5)	201,8	M12x45 (M14x45)	1/2-13 UNC x 1-3/4	BFX-307-G32-W1
		1450	2320	1.97	1.02	3.98	4.53	2.00	3.50	1.97	1.02			.53 (57)	443.96			
76	3	100	160	73	27,5	127	137	61,9	106,4	50	30		3	17	215,0	M16x50	5/8-11 UNC x 2	BFX-308-G-W1
		1450	2320	2.87	1.08	5.00	5.39	2.44	4.19	1.97	1.18			.67	473.00			
76	3	100	160	63	27,5	127	137	61,9	106,4	50	30		2-1/2 (40)	17	257,2	M16x50	5/8-11 UNC x 2	BFX-308-G40-W1
		1450	2320	2.48	1.08	5.00	5.39	2.44	4.19	1.97	1.18			.67	565.84			
89	3-1/2	35	35	89	27,5	138	155	69,8	120,7	50	30		3-1/2	17	247,2	M16x50	5/8-11 UNC x 2	BFX-309-G-W1
		508	508	3.50	1.08	5.43	6.10	2.75	4.75	1.97	1.18			.67	543.84			
102	4	35	35	99	27,5	147	163	77,8	130,2	50	30		4	17	292,5	M16x50	5/8-11 UNC x 2	BFX-310-G-W1
		508	508	3.90	1.08	5.79	6.42	3.06	5.13	1.97	1.18			.67	643.50			
127	5	35	35	120	28	180	184	92	152,4	50	30		5	17	365,0	M16x55	5/8-11 UNC x 2-1/4	BFX-311-G-W1
		508	508	4.72	1.10	7.09	7.24	3.62	6.00	1.97	1.18			.67	803.00			

Materials / Ordering Options / Examples

- * SAE Single-Part Flange (without O-ring) made of Steel S355J0 or equivalent, blank (oiled)
- * SAE Single-Part Flange (without O-ring) made of Stainless Steel V4A - 1.4404 (on request)

BFX-...-G-W1
BFX-...-G-W5

- * Size of connection thread deviating from the standard (e.g. 1-1/4 BSPP)

BFX-...-G20-W1

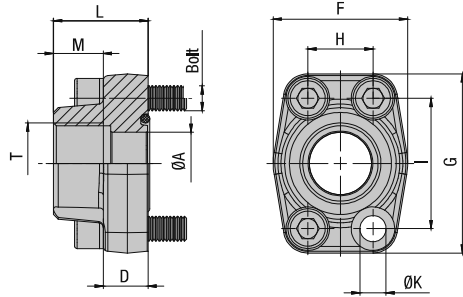
- * Kit including Metric bolts 8.8, spring rings, O-ring made of NBR (Buna-N®)
- * Kit including Metric bolts 8.8, spring rings, O-ring made of FKM (Viton®)
- * Kit including Metric bolts 10.9, spring rings, O-ring made of NBR (Buna-N®)
- * Kit including UNC bolts (Grade 8), spring rings, O-ring made of NBR (Buna-N®)

BFX-...-G-W46-K
BFX-...-G-V-W46-K
BFX-...-G-MH-W1-K
BFX-...-G-U-W1-K

¹ The maximum working pressure PN (bar/PSI) applies only to the flange itself and depends on the bolts used (Grade 8.8 / 10.9). The actual maximum working pressure depends on the thickness and the quality of the tube used.

³ Alternative options shown in brackets are available on request.





SAE Single-Part Flange with Female BSPP Thread
Type BFX-G - 6000 PSI Series



6000 PSI High Pressure Series (based on ISO 6162-2:2002)

Nominal Size	PN ¹ (^{bar} /PSI)	Dimensions (^{mm} / ⁱⁿ)										Weight (^{kg} / ^{lbs}) ca.		for Bolts		Ordering Codes		
		DN	(in)	8.8	10.9 (MH)	ØA	D	F	G	H	I	L	M	T (BSPP)	ØK		per 100	Metric
13	1/2	350	420	13	16,5	47	57	18,2	40,5	36	15		1/2	8,7	27,2	M8x30	5/16-18 UNC x 1-1/4	BFX-601-G-W1
		5075	6090	.51	.65	1.85	2.24	.72	1.59	1.42	.59			.34	59.84			
13	1/2	350	420	13	16,5	47	57	18,2	40,5	36	20		3/8 (06)	8,7	29,3	M8x30	5/16-18 UNC x 1-1/4	BFX-601-G06-W1
		5075	6090	.51	.65	1.85	2.24	.72	1.59	1.42	.79			.34	64.46			
19	3/4	350	420	19	19,5	54	72	23,8	50,8	36	18		3/4	10,5	54,3	M10x35	3/8-16 UNC x 1-1/2	BFX-602-G-W1
		5075	6090	.75	.77	2.13	2.83	.94	2.00	1.42	.71			.41	119.46			
19	3/4	350	420	14	19,5	54	72	23,8	50,8	36	15		1/2 (08)	10,5	55,7	M10x35	3/8-16 UNC x 1-1/2	BFX-602-G08-W1
		5075	6090	.55	.77	2.13	2.83	.94	2.00	1.42	.59			.41	122.54			
25	1	350	420	25	24,5	68	82	27,8	57,2	44	20		1	13	83,7	M12x45	7/16-14 UNC x 1-3/4	BFX-603-G-W1 ²
		5075	6090	.98	.96	2.68	3.23	1.09	2.25	1.73	.79			.51	184.14			
25	1	350	420	19	24,5	68	82	27,8	57,2	44	18		3/4 (12)	13	80,0	M12x45	7/16-14 UNC x 1-3/4	BFX-603-G12-W1 ²
		5075	6090	.75	.96	2.68	3.23	1.09	2.25	1.73	.71			.51	176.00			
32	1-1/4	350	420	31	27,5	79	95	31,6	66,6	44	22		1-1/4	13,5	119,3	M12x45	1/2-13 UNC x 1-3/4	BFX-604-G-W1
		5075	6090	1.22	1.08	3.11	3.74	1.24	2.62	1.73	.87			.53	262.46			
32	1-1/4	350	420	31	27,5	79	95	31,6	66,6	44	22		1-1/4	15	112,6	M14x45		BFX-604-G-M14-W1
		5075	6090	1.22	1.08	3.11	3.74	1.24	2.62	1.73	.87			.59	247.72			
32	1-1/4	350	420	25	27,5	79	95	31,6	66,6	44	20		1	13,5	122,0	M12x45	1/2-13 UNC x 1-3/4	BFX-604-G16-W1
		5075	6090	.98	1.08	3.11	3.74	1.24	2.62	1.73	.79			.53	268.40			
32	1-1/4	350	420	25	27,5	79	95	31,6	66,6	44	20		1	15	118,4	M14x45		BFX-604-G16-M14-W1
		5075	6090	.98	1.08	3.11	3.74	1.24	2.62	1.73	.79			.59	260.48			
38	1-1/2	350	420	38	31	88	108	36,5	79,3	51	24		1-1/2	17	183,3	M16x55	5/8-11 UNC x 2-1/4	BFX-605-G-W1
		5075	6090	1.50	1.22	3.46	4.25	1.44	3.12	2.01	.94			.67	403.26			
38	1-1/2	350	420	31	31	88	108	36,5	79,3	51	22		1-1/4 (20)	17	196,0	M16x55	5/8-11 UNC x 2-1/4	BFX-605-G20-W1
		5075	6090	1.22	1.22	3.46	4.25	1.44	3.12	2.01	.87			.67	431.20			
51	2	350	420	50	37	118	137	44,5	96,8	65	33		2	21	327,9	M20x70	3/4-10 UNC x 2-3/4	BFX-606-G-W1
		5075	6090	1.97	1.46	4.65	5.39	1.75	3.81	2.56	1.30			.83	721.38			
64	2-1/2	350	420	63	123,8	180	58,7	152	80	45	32		2-1/2	26	678,1	M24x80		BFX-607-G-W1
		5075	6090	2.48	4.87	7.09	2.31	5.98	3.15	1.77	1.26			1.02	1491.82			

¹ The maximum working pressure PN (bar/PSI) applies only to the flange itself and depends on the bolts used (Grade 8.8 / 10.9). The actual maximum working pressure depends on the thickness and the quality of the tube used.

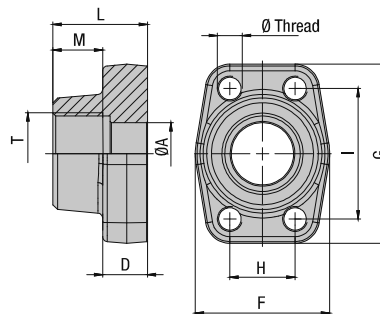
² For UNC threaded bolts, use hexagon head bolts only. Please note that these do not belong to our product range.

Materials / Ordering Options / Examples

- * SAE Single-Part Flange (without O-ring) made of Steel S355J0 or equivalent, blank (oiled) BFX-...-G-W1
- * SAE Single-Part Flange (without O-ring) made of Stainless Steel V4A - 1.4404 (on request) BFX-...-G-W5
- * Size of connection thread deviating from the standard (e.g. 1-1/4 BSPP) BFX-...-G20-W1
- * Kit including Metric bolts 8.8, spring rings, O-ring made of NBR (Buna-N®) BFX-...-G-W46-K
- * Kit including Metric bolts 8.8, spring rings, O-ring made of FKM (Viton®) BFX-...-G-V-W46-K
- * Kit including Metric bolts 10.9, spring rings, O-ring made of NBR (Buna-N®) BFX-...-G-MH-W1-K
- * Kit including UNC bolts (Grade 8), spring rings, O-ring made of NBR (Buna-N®) BFX-...-G-U-W1-K



**SAE Single-Part Counterflange with Female BSPP Thread
Type BAS-G - 3000 PSI Series**



C

3000 PSI Standard Pressure Series (based on ISO 6162-1:2002)

Nominal Size	DN	(in)	PN ¹ (^{bar} / _{PSI})		Dimensions (^{mm} / _{in})								Weight (^{kg} / _{lbs}) ca.	Ø Thread		Ordering Codes	
			8.8	10.9 (MH)	ØA	D	F	G	H	I	L	M		T (BSPP)	per 100		Metric ³
13	1/2	350	350	350	13	16	47	57	17,5	38,1	36	15	1/2	29,0	M8	5/16-18 UNC	BAS-301-G-W1
			5075	5075	.51	.63	1.85	2.24	.69	1.50	1.42	.59		63.80			
13	1/2	350	350	350	13	16	47	57	17,5	38,1	36	20	3/8 (06)	30,8	M8	5/16-18 UNC	BAS-301-G06-W1
			5075	5075	.51	.63	1.85	2.24	.69	1.50	1.42	.79		67.76			
19	3/4	350	350	350	19	18	50	67	22,3	47,6	36	18	3/4	41,4	M10	3/8-16 UNC	BAS-302-G-W1
			5075	5075	.75	.71	1.97	2.64	.88	1.87	1.42	.71		91.08			
19	3/4	350	350	350	13	18	50	67	22,3	47,6	36	15	1/2 (08)	43,4	M10	3/8-16 UNC	BAS-302-G08-W1
			5075	5075	.51	.71	1.97	2.64	.88	1.87	1.42	.59		95.48			
25	1	250	315	25	18	54	72	26,2	52,4	38	20	1	47,0	M10	3/8-16 UNC	BAS-303-G-W1	
			3625	4568	.98	.71	2.13	2.83	1.03	2.06	1.50		.79				103.40
25	1	250	315	19	18	54	72	26,2	52,4	38	18	3/4 (12)	56,7	M10	3/8-16 UNC	BAS-303-G12-W1	
			3625	4568	.75	.71	2.13	2.83	1.03	2.06	1.50		.71				124.74
32	1-1/4	200	250	31	21	68	82	30,2	58,7	41	22	1-1/4	69,5	M10 (M12)	7/16-14 UNC	BAS-304-G-W1	
			2900	3625	1.22	.83	2.68	3.23	1.19	2.31	1.61		.87				152.90
32	1-1/4	200	250	25	21	68	82	30,2	58,7	41	20	1 (16)	84,4	M10 (M12)	7/16-14 UNC	BAS-304-G16-W1	
			2900	3625	.98	.83	2.68	3.23	1.19	2.31	1.61		.79				185.68
38	1-1/2	200	200	38	25	79	96	35,7	69,9	44	24	1-1/2	114,3	M12 (M14)	1/2-13 UNC	BAS-305-G-W1	
			2900	2900	1.50	.98	3.11	3.78	1.41	2.75	1.73		.94				251.46
38	1-1/2	200	200	31	25	79	96	35,7	69,9	44	22	1-1/4 (20)	124,6	M12 (M14)	1/2-13 UNC	BAS-305-G20-W1	
			2900	2900	1.22	.98	3.11	3.78	1.41	2.75	1.73		.87				274.12
51	2	160	200	50	25,5	88	102	42,9	77,8	45	26	2	125,7	M12 (M14)	1/2-13 UNC	BAS-306-G-W1	
			2320	2900	1.97	1.00	3.46	4.02	1.69	3.06	1.77		1.02				276.54
51	2	160	200	38	25,5	88	102	42,9	77,8	45	24	1-1/2 (24)	158,0	M12 (M14)	1/2-13 UNC	BAS-306-G24-W1	
			2320	2900	1.50	1.00	3.46	4.02	1.69	3.06	1.77		.94				347.60
64	2-1/2	100	160	63	26	101	115	50,8	88,9	50	30	2-1/2	158,1	M12 (M14)	1/2-13 UNC	BAS-307-G-W1	
			1450	2320	2.48	1.02	3.98	4.53	2.00	3.50	1.97		1.18				347.82
64	2-1/2	100	160	50	26	101	115	50,8	88,9	50	26	2 (32)	209,5	M12 (M14)	1/2-13 UNC	BAS-307-G32-W1	
			1450	2320	1.97	1.02	3.98	4.53	2.00	3.50	1.97		1.02				460.90
76	3	100	160	73	27,5	127	137	61,9	106,4	50	30	3	229,4	M16	5/8-11 UNC	BAS-308-G-W1	
			1450	2320	2.87	1.08	5.00	5.39	2.44	4.19	1.97		1.18				504.68
76	3	100	160	63	27,5	127	137	61,9	106,4	50	30	2-1/2 (40)	273,4	M16	5/8-11 UNC	BAS-308-G40-W1	
			1450	2320	2.48	1.08	5.00	5.39	2.44	4.19	1.97		1.18				601.48
89	3-1/2	35	35	89	27,5	138	155	69,8	120,7	50	30	3-1/2	253,0	M16	5/8-11 UNC	BAS-309-G-W1	
			508	508	3.50	1.08	5.43	6.10	2.75	4.75	1.97		1.18				556.60
102	4	35	35	99	27,5	147	163	77,8	130,2	50	30	4	302,5	M16	5/8-11 UNC	BAS-310-G-W1	
			508	508	3.90	1.08	5.79	6.42	3.06	5.13	1.97		1.18				665.50
127	5	35	35	120	28	180	184	92	152,4	50	30	5	379,2	M16	5/8-11 UNC	BAS-311-G-W1	
			508	508	4.72	1.10	7.09	7.24	3.62	6.00	1.97		1.18				834.24

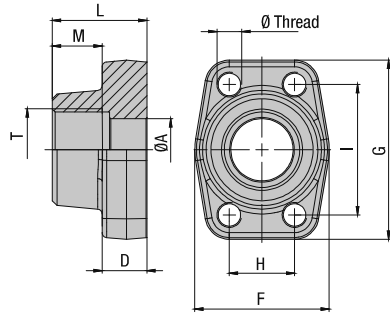
Materials / Ordering Options / Examples

- * SAE Single-Part Counterflange made of Steel S355J0 or equivalent, blank (oiled) with Metric tapped holes **BAS-...-G-W1**
- * SAE Single-Part Counterflange made of Stainless Steel V4A – 1.4404 (on request) with Metric tapped holes **BAS-...-G-W5**
- * SAE Single-Part Counterflange made of Steel S355J0 or equivalent, blank (oiled) with size of Metric tapped holes deviating from the standard (e.g. M14) **BAS-...-G-M14-W1**
- * SAE Single-Part Counterflange made of Steel S355J0 or equivalent, blank (oiled) with UNC tapped holes **BAS-...-G-U-W1**
- * Size of connection thread deviating from the standard (e.g. 1-1/4 BSPP) **BAS-...-G20-W1**

¹ The maximum working pressure PN (bar/PSI) applies only to the flange itself and depends on the bolts used (Grade 8.8 / 10.9). The actual maximum working pressure depends on the thickness and the quality of the tube used.

³ Alternative options shown in brackets are available on request.




**SAE Single-Part Counterflange with Female BSPP Thread
Type BAS-G - 6000 PSI Series**

C

6000 PSI High Pressure Series (based on ISO 6162-2:2002)

Nominal Size	PN ¹ (^{bar} / _{PSI})	Dimensions (^{mm} / _{in})											Weight (^{kg} / _{lbs}) ca.	Ø Thread		Ordering Codes
		8.8	10.9 (MH)	ØA	D	F	G	H	I	L	M	T (BSPP)		Metric	UNC	
13	1/2	350	420	13	16,5	47	57	18,2	40,5	36	15	1/2	28,9	M8	5/16-18 UNC	BAS-601-G-W1
		5075	6090	.51	.65	1.85	2.24	.72	1.59	1.42	.59		63.58			
13	1/2	350	420	13	16,5	47	57	18,2	40,5	36	20	3/8 (06)	31,3	M8	5/16-18 UNC	BAS-601-G06-W1
		5075	6090	.51	.65	1.85	2.24	.72	1.59	1.42	.79		68.86			
19	3/4	350	420	19	19,5	54	72	23,8	50,8	36	18	3/4	52,6	M10	3/8-16 UNC	BAS-602-G-W1
		5075	6090	.75	.77	2.13	2.83	.94	2.00	1.42	.71		115.72			
19	3/4	350	420	14	19,5	54	72	23,8	50,8	36	15	1/2 (08)	58,6	M10	3/8-16 UNC	BAS-602-G08-W1
		5075	6090	.55	.77	2.13	2.83	.94	2.00	1.42	.59		128.92			
25	1	350	420	25	24,5	68	82	27,8	57,2	44	20	1	77,9	M12	7/16-14 UNC	BAS-603-G-W1
		5075	6090	.98	.96	2.68	3.23	1.09	2.25	1.73	.79		171.38			
25	1	350	420	19	24,5	68	82	27,8	57,2	44	18	3/4 (12)	88,3	M12	7/16-14 UNC	BAS-603-G12-W1
		5075	6090	.75	.96	2.68	3.23	1.09	2.25	1.73	.71		194.26			
32	1-1/4	350	420	31	27,5	79	95	31,6	66,6	44	22	1-1/4	123,8	M12	1/2-13 UNC	BAS-604-G-W1
		5075	6090	1.22	1.08	3.11	3.74	1.24	2.62	1.73	.87		272.36			
32	1-1/4	350	420	31	27,5	79	95	31,6	66,6	44	22	1-1/4 (20)	119,9	M14		BAS-604-G-M14-W1
		5075	6090	1.22	1.08	3.11	3.74	1.24	2.62	1.73	.87		263.78			
32	1-1/4	350	420	25	27,5	79	95	31,6	66,6	44	20	1 (16)	123,8	M12	1/2-13 UNC	BAS-604-G16-W1
		5075	6090	.98	1.08	3.11	3.74	1.24	2.62	1.73	.79		272.36			
32	1-1/4	350	420	25	27,5	79	95	31,6	66,6	44	20	1 (16)	122,4	M14		BAS-604-G16-M14-W1
		5075	6090	.98	1.08	3.11	3.74	1.24	2.62	1.73	.79		269.28			
38	1-1/2	350	420	38	31	88	108	36,5	79,3	51	24	1-1/2	186,9	M16	5/8-11 UNC	BAS-605-G-W1
		5075	6090	1.50	1.22	3.46	4.25	1.44	3.12	2.01	.94		411.18			
38	1-1/2	350	420	31	31	88	108	36,5	79,3	51	22	1-1/4 (20)	203,4	M16	5/8-11 UNC	BAS-605-G20-W1
		5075	6090	1.22	1.22	3.46	4.25	1.44	3.12	2.01	.87		447.48			
51	2	350	420	50	37	118	137	44,5	96,8	58	33	2	341,5	M20	3/4-10 UNC	BAS-606-G-W1
		5075	6090	1.97	1.46	4.65	5.39	1.75	3.81	2.28	1.30		751.30			
64	2-1/2	350	420	63	123,8	180	58,7	152	80	45	32	2-1/2	696,0	M24		BAS-607-G-W1
		5075	6090	2.48	4.87	7.09	2.31	5.98	3.15	1.77	1.26		1531.20			

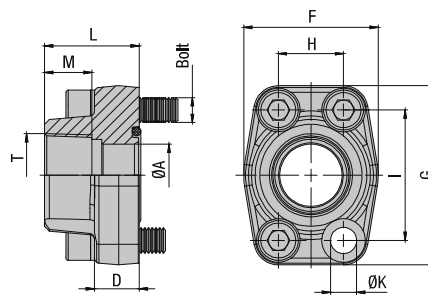
¹ The maximum working pressure PN (bar/PSI) applies only to the flange itself and depends on the bolts used (Grade 8.8 / 10.9). The actual maximum working pressure depends on the thickness and the quality of the tube used.

Materials / Ordering Options / Examples

- * SAE Single-Part Counterflange made of Steel S355J0 or equivalent, blank (oiled) with Metric tapped holes **BAS-...-G-W1**
- * SAE Single-Part Counterflange made of Stainless Steel V4A - 1.4404 (on request) with Metric tapped holes **BAS-...-G-W5**
- * SAE Single-Part Counterflange made of Steel S355J0 or equivalent, blank (oiled) with size of Metric tapped holes deviating from the standard (e.g. M14) **BAS-...-G-M14-W1**
- * SAE Single-Part Counterflange made of Steel S355J0 or equivalent, blank (oiled) with UNC tapped holes **BAS-...-G-U-W1**
- * Size of connection thread deviating from the standard (e.g. 1-1/4 BSPP) **BAS-...-G20-W1**



**SAE Single-Part Flange with Female NPT Thread
Type BFX-N - 3000 PSI Series**



C

3000 PSI Standard Pressure Series (based on ISO 6162-1:2002)

Nominal Size	PN ¹ (^{bar} / _{PSI})	Dimensions (^{mm} / _{in})											Weight for Bolts (^{kg} / _{lbs}) ca.			Ordering Codes	
		DN	(in)	8.8	10.9 (MH)	ØA	D	F	G	H	I	L	M	T (NPT)	ØK ³		per 100
13	1/2	350	350	13	16	47	57	17,5	38,1	36	15	1/2	8,7	27,6	M8x30	5/16-18 UNC x 1-1/4	BFX-301-N-W1
		5075	5075	.51	.63	1.85	2.24	.69	1.50	1.42	.59	.34	60.72				
13	1/2	350	350	13	16	47	57	17,5	38,1	36	20	3/8 (06)	8,7	30,7	M8x30	5/16-18 UNC x 1-1/4	BFX-301-N06-W1
		5075	5075	.51	.63	1.85	2.24	.69	1.50	1.42	.79	.34	67.54				
19	3/4	350	350	19	18	50	67	22,3	47,6	36	18	3/4	10,5	38,8	M10x35	3/8-16 UNC x 1-1/2	BFX-302-N-W1
		5075	5075	.75	.71	1.97	2.64	.88	1.87	1.42	.71	.41	85.36				
19	3/4	350	350	13	18	50	67	22,3	47,6	36	15	1/2 (08)	10,5	40,0	M10x35	3/8-16 UNC x 1-1/2	BFX-302-N08-W1
		5075	5075	.51	.71	1.97	2.64	.88	1.87	1.42	.59	.41	88.00				
25	1	250	315	25	18	54	72	26,2	52,4	38	20	1	10,5	46,0	M10x35	3/8-16 UNC x 1-1/2	BFX-303-N-W1
		3625	4568	.98	.71	2.13	2.83	1.03	2.06	1.50	.79	.41	101.20				
25	1	250	315	19	18	54	72	26,2	52,4	38	18	3/4 (12)	10,5	53,3	M10x35	3/8-16 UNC x 1-1/2	BFX-303-N12-W1
		3625	4568	.75	.71	2.13	2.83	1.03	2.06	1.50	.71	.41	117.26				
32	1-1/4	200	250	31	21	68	82	30,2	58,7	41	22	1-1/4	11,5 (13,5)	69,5	M10x40 (M12x40)	7/16-14 UNC x 1-1/2	BFX-304-N-W1
		2900	3625	1.22	.83	2.68	3.23	1.19	2.31	1.61	.87	.45 (.53)	152.90				
32	1-1/4	200	250	25	21	68	82	30,2	58,7	41	20	1 (16)	11,5 (13,5)	84,0	M10x40 (M12x40)	7/16-14 UNC x 1-1/2	BFX-304-N16-W1
		2900	3625	.98	.83	2.68	3.23	1.19	2.31	1.61	.79	.45 (.53)	184.80				
38	1-1/2	200	200	38	25	79	96	35,7	69,9	44	24	1-1/2	13,5 (14,5)	106,6	M12x45 (M14x45)	1/2-13 UNC x 1-3/4	BFX-305-N-W1
		2900	2900	1.50	.98	3.11	3.78	1.41	2.75	1.73	.94	.53 (.57)	234.52				
38	1-1/2	200	200	31	25	79	96	35,7	69,9	44	22	1-1/4 (20)	13,5 (14,5)	125,8	M12x45 (M14x45)	1/2-13 UNC x 1-3/4	BFX-305-N20-W1
		2900	2900	1.22	.98	3.11	3.78	1.41	2.75	1.73	.87	.53 (.57)	276.76				
51	2	160	200	50	25,5	88	102	42,9	77,8	45	26	2	13,5 (14,5)	122,9	M12x45 (M14x45)	1/2-13 UNC x 1-3/4	BFX-306-N-W1
		2320	2900	1.97	1.00	3.46	4.02	1.69	3.06	1.77	1.02	.53 (.57)	270.38				
51	2	160	200	38	25,5	88	102	42,9	77,8	45	24	1-1/2 (24)	13,5 (14,5)	150,0	M12x45 (M14x45)	1/2-13 UNC x 1-3/4	BFX-306-N24-W1
		2320	2900	1.50	1.00	3.46	4.02	1.69	3.06	1.77	.94	.53 (.57)	330.00				
64	2-1/2	100	160	63	26	101	115	50,8	88,9	50	30	2-1/2	13,5 (14,5)	153,9	M12x45 (M14x45)	1/2-13 UNC x 1-3/4	BFX-307-N-W1
		1450	2320	2.48	1.02	3.98	4.53	2.00	3.50	1.97	1.18	.53 (.57)	338.58				
64	2-1/2	100	160	50	26	101	115	50,8	88,9	50	26	2 (32)	13,5 (14,5)	202,9	M12x45 (M14x45)	1/2-13 UNC x 1-3/4	BFX-307-N32-W1
		1450	2320	1.97	1.02	3.98	4.53	2.00	3.50	1.97	1.02	.53 (.57)	446.38				
76	3	100	160	73	27,5	127	137	61,9	106,4	50	30	3	17	225,7	M16x50	5/8-11 UNC x 2	BFX-308-N-W1
		1450	2320	2.87	1.08	5.00	5.39	2.44	4.19	1.97	1.18	.67	496.54				
76	3	100	160	63	27,5	127	137	61,9	106,4	50	30	2-1/2 (40)	17	269,7	M16x50	5/8-11 UNC x 2	BFX-308-N40-W1
		1450	2320	2.48	1.08	5.00	5.39	2.44	4.19	1.97	1.18	.67	593.34				
89	3-1/2	35	35	89	27,5	138	155	69,8	120,7	50	30	3-1/2	17	255,0	M16x50	5/8-11 UNC x 2	BFX-309-N-W1
		508	508	3.50	1.08	5.43	6.10	2.75	4.75	1.97	1.18	.67	561.00				
102	4	35	35	99	27,5	147	163	77,8	130,2	50	30	4	17	286,8	M16x50	5/8-11 UNC x 2	BFX-310-N-W1
		508	508	3.90	1.08	5.79	6.42	3.06	5.13	1.97	1.18	.67	630.96				
127	5	35	35	120	28	180	184	92	152,4	50	30	5	17	365,2	M16x55	5/8-11 UNC x 2-1/4	BFX-311-N-W1
		508	508	4.72	1.10	7.09	7.24	3.62	6.00	1.97	1.18	.67	803.44				

Materials / Ordering Options / Examples

- * SAE Single-Part Flange (without O-ring) made of Steel S355J0 or equivalent, blank (oiled)
- * SAE Single-Part Flange (without O-ring) made of Stainless Steel V4A - 1.4404 (on request)

BFX-...-N-W1
BFX-...-N-W5

- * Size of connection thread deviating from the standard (e.g. 1-1/4 NPT)

BFX-...-N20-W1

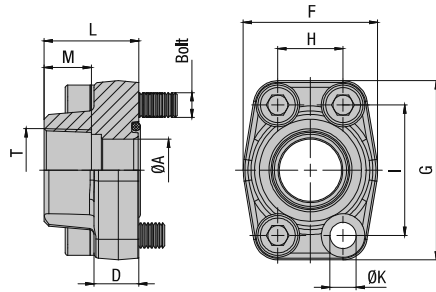
- * Kit including Metric bolts 8.8, spring rings, O-ring made of NBR (Buna-N®)
- * Kit including Metric bolts 8.8, spring rings, O-ring made of FKM (Viton®)
- * Kit including Metric bolts 10.9, spring rings, O-ring made of NBR (Buna-N®)
- * Kit including UNC bolts (Grade 8), spring rings, O-ring made of NBR (Buna-N®)

BFX-...-N-W46-K
BFX-...-N-V-W46-K
BFX-...-N-MH-W1-K
BFX-...-N-U-W1-K

¹ The maximum working pressure PN (bar/PSI) applies only to the flange itself and depends on the bolts used (Grade 8.8 / 10.9). The actual maximum working pressure depends on the thickness and the quality of the tube used.

³ Alternative options shown in brackets are available on request.




**SAE Single-Part Flange with Female NPT Thread
Type BFX-N - 6000 PSI Series**

C

6000 PSI High Pressure Series (based on ISO 6162-2:2002)

Nominal Size	PN ¹ (^{bar} /PSI)	Dimensions (^{mm} / _{in})											Weight for Bolts (^g / _{lbs}) ca.			Ordering Codes	
		DN	(in)	8.8	10.9 (MH)	ØA	D	F	G	H	I	L	M	T (NPT)	ØK		per 100
13	1/2	350	420	13	16,5	47	57	18,2	40,5	36	15	1/2	8,7	27,6	M8x30	5/16-18 UNC x 1-1/4	BFX-601-N-W1
		5075	6090	.51	.65	1.85	2.24	.72	1.59	1.42	.59		.34	60.72			
13	1/2	350	420	13	16,5	47	57	18,2	40,5	36	20	3/8 (06)	8,7	31,5	M8x30	5/16-18 UNC x 1-1/4	BFX-601-N06-W1
		5075	6090	.51	.65	1.85	2.24	.72	1.59	1.42	.79		.34	69.30			
19	3/4	350	420	19	19,5	54	72	23,8	50,8	36	18	3/4	10,5	54,9	M10x35	3/8-16 UNC x 1-1/2	BFX-602-N-W1
		5075	6090	.75	.77	2.13	2.83	.94	2.00	1.42	.79		.41	120.78			
19	3/4	350	420	14	19,5	54	72	23,8	50,8	36	15	1/2 (08)	10,5	56,3	M10x35	3/8-16 UNC x 1-1/2	BFX-602-N08-W1
		5075	6090	.55	.77	2.13	2.83	.94	2.00	1.42	.59		.41	123.86			
25	1	350	420	25	24,5	68	82	27,8	57,2	44	20	1	13	79,0	M12x45	7/16-14 UNC x 1-3/4	BFX-603-N-W1 ²
		5075	6090	.98	.96	2.68	3.23	1.09	2.25	1.73	.79		.51	173.80			
25	1	350	420	19	24,5	68	82	27,8	57,2	44	18	3/4 (12)	13	92,9	M12x45	7/16-14 UNC x 1-3/4	BFX-603-N12-W1 ²
		5075	6090	.75	.96	2.68	3.23	1.09	2.25	1.73	.71		.51	204.38			
32	1-1/4	350	420	31	27,5	79	95	31,6	66,6	44	22	1-1/4	13,5	119,0	M12x45	1/2-13 UNC x 1-3/4	BFX-604-N-W1
		5075	6090	1.22	1.08	3.11	3.74	1.24	2.62	1.73	.87		.53	261.80			
32	1-1/4	350	420	31	27,5	79	95	31,6	66,6	44	22	1-1/4 (20)	15	114,6	M14x45		BFX-604-N20-M14-W1
		5075	6090	1.22	1.08	3.11	3.74	1.24	2.62	1.73	.87		.59	252.12			
32	1-1/4	350	420	25	27,5	79	95	31,6	66,6	44	20	1	13,5	120,3	M12x45	1/2-13 UNC x 1-3/4	BFX-604-N16-W1
		5075	6090	.98	1.08	3.11	3.74	1.24	2.62	1.73	.79		.53	264.66			
32	1-1/4	350	420	25	27,5	79	95	31,6	66,6	44	20	1 (16)	15	127,7	M14x45		BFX-604-N16-M14-W1
		5075	6090	.98	1.08	3.11	3.74	1.24	2.62	1.73	.79		.59	280.94			
38	1-1/2	350	420	38	31	88	108	36,5	79,3	51	24	1-1/2	17	190,6	M16x55	5/8-11 UNC x 2-1/4	BFX-605-N-W1
		5075	6090	1.50	1.22	3.46	4.25	1.44	3.12	2.01	.94		.67	419.32			
38	1-1/2	350	420	31	31	88	108	36,5	79,3	51	22	1-1/4 (20)	17	185,4	M16x55	5/8-11 UNC x 2-1/4	BFX-605-N20-W1
		5075	6090	1.22	1.22	3.46	4.25	1.44	3.12	2.01	.87		.67	407.88			
51	2	350	420	50	37	118	137	44,5	96,8	65	33	2	21	330,5	M20x70	3/4-10 UNC x 2-3/4	BFX-606-N-W1
		5075	6090	1.97	1.46	4.65	5.39	1.75	3.81	2.56	1.30		.83	727.10			

¹ The maximum working pressure PN (bar/PSI) applies only to the flange itself and depends on the bolts used (Grade 8.8 / 10.9). The actual maximum working pressure depends on the thickness and the quality of the tube used.

² For UNC threaded bolts, use hexagon head bolts only. Please note that these do not belong to our product range.

Materials / Ordering Options / Examples

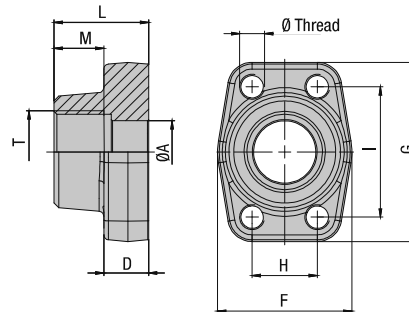
- * SAE Single-Part Flange (without O-ring) made of Steel S355J0 or equivalent, blank (oiled) **BFX-...-N-W1**
- * SAE Single-Part Flange (without O-ring) made of Stainless Steel V4A - 1.4404 (on request) **BFX-...-N-W5**

- * Size of connection thread deviating from the standard (e.g. 1-1/4 NPT) **BFX-...-N20-W1**

- * Kit including Metric bolts 8.8, spring rings, O-ring made of NBR (Buna-N®) **BFX-...-N-W46-K**
- * Kit including Metric bolts 8.8, spring rings, O-ring made of FKM (Viton®) **BFX-...-N-V-W46-K**
- * Kit including Metric bolts 10.9, spring rings, O-ring made of NBR (Buna-N®) **BFX-...-N-MH-W1-K**
- * Kit including UNC bolts (Grade 8), spring rings, O-ring made of NBR (Buna-N®) **BFX-...-N-U-W1-K**



**SAE Single-Part Counterflange with Female NPT Thread
Type BAS-N - 3000 PSI Series**



C

3000 PSI Standard Pressure Series (based on ISO 6162-1:2002)

Nominal Size	DN	(in)	PN ¹ (^{bar} / _{PSI})		Dimensions (^{mm} / _{in})								Weight (^{kg} / _{lbs}) ca. per 100	Ø Thread		Ordering Codes	
			8.8	10.9 (MH)	ØA	D	F	G	H	I	L	M		T (NPT)	Metric ³		UNC
13	1/2	350	350	350	13	16	47	57	17,5	38,1	36	15	1/2	29,0	M8	5/16-18 UNC	BAS-301-N-W1
			5075	5075	.51	.63	1.85	2.24	.69	1.50	1.42	.59		63.80			
13	1/2	350	350	350	13	16	47	57	17,5	38,1	36	20	3/8 (06)	30,8	M8	5/16-18 UNC	BAS-301-N06-W1
			5075	5075	.51	.63	1.85	2.24	.69	1.50	1.42	.79		67.76			
19	3/4	350	350	350	19	18	50	67	22,3	47,6	36	18	3/4	40,8	M10	3/8-16 UNC	BAS-302-N-W1
			5075	5075	.75	.71	1.97	2.64	.88	1.87	1.42	.71		89.80			
19	3/4	350	350	350	13	18	50	67	22,3	47,6	36	15	1/2 (08)	43,6	M10	3/8-16 UNC	BAS-302-N08-W1
			5075	5075	.51	.71	1.97	2.64	.88	1.87	1.42	.59		95.92			
25	1	250	315	25	18	54	72	26,2	52,4	38	20	1	49,5	M10	3/8-16 UNC	BAS-303-N-W1	
			3625	4568	.98	.71	2.13	2.83	1.03	2.06	1.50		.79				108.90
25	1	250	315	19	18	54	72	26,2	52,4	38	18	3/4 (12)	44,6	M10	3/8-16 UNC	BAS-303-N12-W1	
			3625	4568	.75	.71	2.13	2.83	1.03	2.06	1.50		.71				98.12
32	1-1/4	200	250	31	21	68	82	30,2	58,7	41	22	1-1/4	71,2	M10 (M12)	7/16-14 UNC	BAS-304-N-W1	
			2900	3625	1.22	.83	2.68	3.23	1.19	2.31	1.61		.87				156.64
32	1-1/4	200	250	25	21	68	82	30,2	58,7	41	20	1 (16)	85,9	M10 (M12)	7/16-14 UNC	BAS-304-N16-W1	
			2900	3625	.98	.83	2.68	3.23	1.19	2.31	1.61		.79				188.98
38	1-1/2	200	200	38	25	79	96	35,7	69,9	44	24	1-1/2	110,6	M12 (M14)	1/2-13 UNC	BAS-305-N-W1	
			2900	2900	1.50	.98	3.11	3.78	1.41	2.75	1.73		.94				243.36
38	1-1/2	200	200	31	25	79	96	35,7	69,9	44	22	1-1/4 (20)	125,7	M12 (M14)	1/2-13 UNC	BAS-305-N20-W1	
			2900	2900	1.22	.98	3.11	3.78	1.41	2.75	1.73		.87				276.54
51	2	160	200	50	25,5	88	102	42,9	77,8	45	26	2	127,0	M12 (M14)	1/2-13 UNC	BAS-306-N-W1	
			2320	2900	1.97	1.00	3.46	4.02	1.69	3.06	1.77		1.02				279.40
51	2	160	200	38	25,5	88	102	42,9	77,8	45	24	1-1/2 (24)	156,2	M12 (M14)	1/2-13 UNC	BAS-306-N24-W1	
			2320	2900	1.50	1.00	3.46	4.02	1.69	3.06	1.77		.94				343.64
64	2-1/2	100	160	63	26	101	115	50,8	88,9	50	30	2-1/2	176,1	M12 (M14)	1/2-13 UNC	BAS-307-N-W1	
			1450	2320	2.48	1.02	3.98	4.53	2.00	3.50	1.97		1.18				387.42
64	2-1/2	100	160	50	26	101	115	50,8	88,9	50	26	2 (32)	176,1	M12 (M14)	1/2-13 UNC	BAS-307-N32-W1	
			1450	2320	1.97	1.02	3.98	4.53	2.00	3.50	1.97		1.02				387.42
76	3	100	160	73	27,5	127	137	61,9	106,4	50	30	3	233,3	M16	5/8-11 UNC	BAS-308-N-W1	
			1450	2320	2.87	1.08	5.00	5.39	2.44	4.19	1.97		1.18				513.26
76	3	100	160	63	27,5	127	137	61,9	106,4	50	30	2-1/2 (40)	233,3	M16	5/8-11 UNC	BAS-308-N40-W1	
			1450	2320	2.48	1.08	5.00	5.39	2.44	4.19	1.97		1.18				513.26
89	3-1/2	35	35	89	27,5	138	155	69,8	120,7	50	30	3-1/2	253,0	M16	5/8-11 UNC	BAS-309-N-W1	
			508	508	3.50	1.08	5.43	6.10	2.75	4.75	1.97		1.18				556.60
102	4	35	35	99	27,5	147	163	77,8	130,2	50	30	4	287,6	M16	5/8-11 UNC	BAS-310-N-W1	
			508	508	3.90	1.08	5.79	6.42	3.06	5.13	1.97		1.18				632.72
127	5	35	35	120	28	180	184	92	152,4	50	30	5	379,2	M16	5/8-11 UNC	BAS-309-N-W1	
			508	508	4.72	1.10	7.09	7.24	3.62	6.00	1.97		1.18				834.24

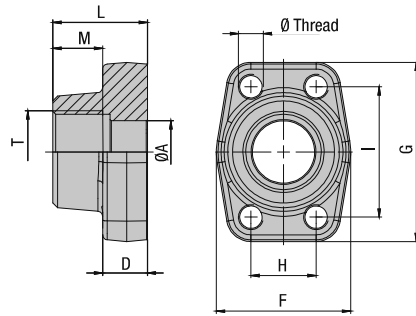
Materials / Ordering Options / Examples

- * SAE Single-Part Counterflange made of Steel S355J0 or equivalent, blank (oiled) with Metric tapped holes **BAS-...-N-W1**
- * SAE Single-Part Counterflange made of Stainless Steel V4A – 1.4404 (on request) with Metric tapped holes **BAS-...-N-W5**
- * SAE Single-Part Counterflange made of Steel S355J0 or equivalent, blank (oiled) with size of Metric tapped holes deviating from the standard (e.g. M14) **BAS-...-N-M14-W1**
- * SAE Single-Part Counterflange made of Steel S355J0 or equivalent, blank (oiled) with UNC tapped holes **BAS-...-N-U-W1**
- * Size of connection thread deviating from the standard (e.g. 1-1/4 NPT) **BAS-...-N20-W1**

¹ The maximum working pressure PN (bar/PSI) applies only to the flange itself and depends on the bolts used (Grade 8.8 / 10.9). The actual maximum working pressure depends on the thickness and the quality of the tube used.

³ Alternative options shown in brackets are available on request.




**SAE Single-Part Counterflange with Female NPT Thread
Type BAS-N - 6000 PSI Series**

C
6000 PSI High Pressure Series (based on ISO 6162-2:2002)

Nominal Size	PN ¹ (^{bar} / ^{PSI})	Dimensions (^{mm} / ⁱⁿ)										Weight (^{kg} / ^{lbs}) ca. per 100	Ø Thread		Ordering Codes	
		8.8	10.9 (MH)	ØA	D	F	G	H	I	L	M		T (NPT)	Metric		UNC
13	1/2	350	420	.13	16,5	47	57	18,2	40,5	36	15	1/2	28,7	M8	5/16-18 UNC	BAS-601-N-W1
		5075	6090	.51	.65	1.85	2.24	.72	1.59	1.42	.59		63.14			
13	1/2	350	420	.13	16,5	47	57	18,2	40,5	36	20	3/8 (06)	30,7	M8	5/16-18 UNC	BAS-601-N06-W1
		5075	6090	.51	.65	1.85	2.24	.72	1.59	1.42	.79		67.54			
19	3/4	350	420	.19	19,5	54	72	23,8	50,8	36	18	3/4	57,0	M10	3/8-16 UNC	BAS-602-N-W1
		5075	6090	.75	.77	2.13	2.83	.94	2.00	1.42	.71		125.40			
19	3/4	350	420	.14	19,5	54	72	23,8	50,8	36	15	1/2 (08)	58,9	M10	3/8-16 UNC	BAS-602-N08-W1
		5075	6090	.55	.77	2.13	2.83	.94	2.00	1.42	.59		129.58			
25	1	350	420	.25	24,5	68	82	27,8	57,2	44	20	1	83,4	M12	7/16-14 UNC	BAS-603-N-W1
		5075	6090	.98	.96	2.68	3.23	1.09	2.25	1.73	.79		183.48			
25	1	350	420	.19	24,5	68	82	27,8	57,2	44	18	3/4 (12)	89,0	M12	7/16-14 UNC	BAS-603-N12-W1
		5075	6090	.75	.96	2.68	3.23	1.09	2.25	1.73	.71		195.80			
32	1-1/4	350	420	.31	27,5	79	95	31,6	66,6	44	22	1-1/4	120,3	M12	1/2-13 UNC	BAS-604-N-W1
		5075	6090	1.22	1.08	3.11	3.74	1.24	2.62	1.73	.87		264.66			
32	1-1/4	350	420	.31	27,5	79	95	31,6	66,6	44	22	1-1/4 (20)	121,1	M14		BAS-604-N-M14-W1
		5075	6090	1.22	1.08	3.11	3.74	1.24	2.62	1.73	.87		266.42			
32	1-1/4	350	420	.25	27,5	79	95	31,6	66,6	44	20	1 (16)	118,0	M12	1/2-13 UNC	BAS-604-N16-W1
		5075	6090	.98	1.08	3.11	3.74	1.24	2.62	1.73	.79		259.60			
32	1-1/4	350	420	.25	27,5	79	95	31,6	66,6	44	20	1 (16)	125,6	M14		BAS-604-N16-M14-W1
		5075	6090	.98	1.08	3.11	3.74	1.24	2.62	1.73	.79		276.32			
38	1-1/2	350	420	.38	31,0	88	108	36,5	79,3	51	24	1-1/2	200,9	M16	5/8-11 UNC	BAS-605-N-W1
		5075	6090	1.50	1.22	3.46	4.25	1.44	3.12	2.01	.94		441.98			
38	1-1/2	350	420	.31	31,0	88	108	36,5	79,3	51	22	1-1/4 (20)	205,5	M16	5/8-11 UNC	BAS-605-N20-W1
		5075	6090	1.22	1.22	3.46	4.25	1.44	3.12	2.01	.87		452.10			
51	2	350	420	.50	37,0	118	137	44,5	96,8	58	33	2	346,8	M20	3/4-10 UNC	BAS-606-N-W1
		5075	6090	1.97	1.46	4.65	5.39	1.75	3.81	2.28	1.30		762.96			

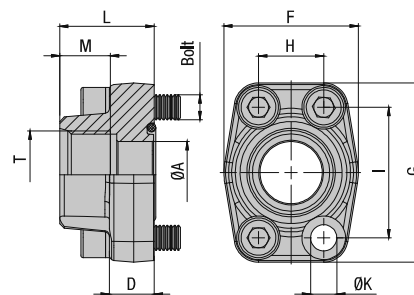
¹ The maximum working pressure PN (bar/PSI) applies only to the flange itself and depends on the bolts used (Grade 8.8 / 10.9). The actual maximum working pressure depends on the thickness and the quality of the tube used.

Materials / Ordering Options / Examples

- * SAE Single-Part Counterflange made of Steel S355J0 or equivalent, blank (oiled) with Metric tapped holes **BAS-...-N-W1**
- * SAE Single-Part Counterflange made of Stainless Steel V4A - 1.4404 (on request) with Metric tapped holes **BAS-...-N-W5**
- * SAE Single-Part Counterflange made of Steel S355J0 or equivalent, blank (oiled) with size of Metric tapped holes deviating from the standard (e.g. M14) **BAS-...-N-M14-W1**
- * SAE Single-Part Counterflange made of Steel S355J0 or equivalent, blank (oiled) with UNC tapped holes **BAS-...-N-U-W1**
- * Size of connection thread deviating from the standard (e.g. 1-1/4 NPT) **BAS-...-N20-W1**



SAE Single-Part Flange with Female UN/UNF Thread
Type BFX-U = 3000 / 6000 PSI Series



3000 PSI Standard Pressure Series (based on ISO 6162-1:2002)

Nominal Size	PN ¹ (^{bar} / _{PSI})	Dimensions (^{mm} / _{in})											Weight (^{kg} / _{lbs}) ca. per 100	for Bolts		Ordering Codes	
		DN	(in)	8.8	10.9 (MH)	ØA	D	F	G	H	I	L		M	T (UN/UNF)		ØK ³
13	1/2	350	350	13	16	47	57	17,5	38,1	36	14,3	3/4-16 (08)	8,7	29,9	M8x30	5/16-18 UNC x 1-1/4	BFX-301-U08-W1
		5075	5075	.51	.63	1.85	2.24	.69	1.50	1.42	.56		.34	65.78			
19	3/4	350	350	19	18	50	67	22,3	47,6	36	16,7	7/8-14 (10)	10,5	38,1	M10x35	3/8-16 UNC x 1-1/2	BFX-302-U10-W1
		5075	5075	.75	.71	1.97	2.64	.88	1.87	1.42	.66		.41	83.82			
19	3/4	350	350	19	18	50	67	22,3	47,6	36	16,7	1-1/16-12 (12)	10,5	38,1	M10x35	3/8-16 UNC x 1-1/2	BFX-302-U12-W1
		5075	5075	.75	.71	1.97	2.64	.88	1.87	1.42	.66		.41	83.82			
25	1	250	315	25	18	54	72	26,2	52,4	38	19	1-1/16-12 (12)	10,5	50,9	M10x35	3/8-16 UNC x 1-1/2	BFX-303-U12-W1
		3625	4568	.98	.71	2.13	2.83	1.03	2.06	1.50	.75		.41	111.98			
25	1	250	315	25	18	54	72	26,2	52,4	38	19	1-5/16-12 (16)	10,5	47,0	M10x35	3/8-16 UNC x 1-1/2	BFX-303-U16-W1
		3625	4568	.98	.71	2.13	2.83	1.03	2.06	1.50	.75		.41	103.40			
32	1-1/4	200	250	31	21	68	82	30,2	58,7	41	19	1-5/16-12 (16)	11,5 (13,5)	75,2	M10x40 (M12x40)	7/16-14 UNC x 1-1/2	BFX-304-U16-W1
		2900	3625	1.22	.83	2.68	3.23	1.19	2.31	1.61	.75		.45 (53)	165.44			
32	1-1/4	200	250	31	21	68	82	30,2	58,7	41	19	1-5/8-12 (20)	11,5 (13,5)	64,5	M10x40 (M12x40)	7/16-14 UNC x 1-1/2	BFX-304-U20-W1
		2900	3625	1.22	.83	2.68	3.23	1.19	2.31	1.61	.75		.45 (53)	141.90			
38	1-1/2	200	200	38	25	79	96	35,7	69,9	44	19	1-5/8-12 (20)	13,5 (14,5)	115,1	M12x45 (M14x45)	1/2-13 UNC x 1-3/4	BFX-305-U20-W1
		2900	2900	1.50	.98	3.11	3.78	1.41	2.75	1.73	.75		.53 (57)	253.22			
38	1-1/2	200	200	38	25	79	96	35,7	69,9	44	19	1-7/8-12 (24)	13,5 (14,5)	107,9	M12x45 (M14x45)	1/2-13 UNC x 1-3/4	BFX-305-U24-W1
		2900	2900	1.50	.98	3.11	3.78	1.41	2.75	1.73	.75		.53 (57)	237.38			

6000 PSI High Pressure Series (based on ISO 6162-2:2002)

Nominal Size	PN ¹ (^{bar} / _{PSI})	Dimensions (^{mm} / _{in})											Weight (^{kg} / _{lbs}) ca. per 100	for Bolts		Ordering Codes	
		DN	(in)	8.8	10.9 (MH)	ØA	D	F	G	H	I	L		M	T (UN/UNF)		ØK ³
13	1/2	350	400	13	16,5	47	57	18,2	40,5	36	14,3	3/4-16 (08)	8,7	29,9	M8x30	5/16-18 UNC x 1-1/4	BFX-601-U08-W1
		5075	5800	.51	.65	1.85	2.24	.72	1.59	1.42	.56		.34	65.78			
19	3/4	350	400	19	19,5	54	72	23,8	50,8	36	16,7	7/8-14 (10)	10,5	48,3	M10x35	3/8-16 UNC x 1-1/2	BFX-602-U10-W1
		5075	5800	.75	.77	2.13	2.83	.94	2.00	1.42	.66		.41	106.26			
19	3/4	350	400	19	19,5	54	72	23,8	50,8	36	16,7	1-1/16-12 (12)	10,5	48,3	M10x35	3/8-16 UNC x 1-1/2	BFX-602-U12-W1
		5075	5800	.75	.77	2.13	2.83	.94	2.00	1.42	.66		.41	106.26			
25	1	350	400	25	24,5	68	82	27,8	57,1	44	19	1-1/16-12 (12)	13	84,0	M12x45	7/16-14 UNC x 1-3/4	BFX-603-U12-W1 ²
		5075	5800	.98	.96	2.68	3.23	1.09	2.25	1.73	.75		.51	184.80			
25	1	350	400	25	24,5	68	82	27,8	57,1	44	19	1-5/16-12 (16)	13	83,4	M12x45	7/16-14 UNC x 1-3/4	BFX-603-U16-W1 ²
		5075	5800	.98	.96	2.68	3.23	1.09	2.25	1.73	.75		.51	183.48			
32	1-1/4	350	400	31	27,5	79	95	31,6	66,7	44	19	1-5/16-12 (16)	13,5	125,7	M12x45	1/2-13 UNC x 1-3/4	BFX-604-U16-W1
		5075	5800	1.22	1.08	3.11	3.74	1.24	2.63	1.73	.75		.53	276.54			
32	1-1/4	350	400	31	27,5	79	95	31,6	66,7	44	19	1-5/16-12 (16)	15	125,7	M14x45		BFX-604-U16-M14-W1
		5075	5800	1.22	1.08	3.11	3.74	1.24	2.63	1.73	.75		.59	276.54			
32	1-1/4	350	400	31	27,5	79	95	31,6	66,7	44	19	1-5/8-12 (20)	13,5	125,7	M12x45	1/2-13 UNC x 1-3/4	BFX-604-U20-W1
		5075	5800	1.22	1.08	3.11	3.74	1.24	2.63	1.73	.75		.53	276.54			
32	1-1/4	350	400	31	27,5	79	95	31,6	66,7	44	19	1-5/8-12 (20)	15	116,0	M14x45		BFX-604-U20-M14-W1
		5075	5800	1.22	1.08	3.11	3.74	1.24	2.63	1.73	.75		.59	255.20			
38	1-1/2	350	400	38	31	88	108	36,5	79,4	51	19	1-5/8-12 (20)	17	221,5	M16x55	5/8-11 UNC x 2-1/4	BFX-605-U20-W1
		5075	5800	1.50	1.22	3.46	4.25	1.44	3.13	2.01	.75		.67	487.30			
38	1-1/2	350	400	38	31	88	108	36,5	79,4	51	19	1-7/8-12 (24)	17	169,9	M16x55	5/8-11 UNC x 2-1/4	BFX-605-U24-W1
		5075	5800	1.50	1.22	3.46	4.25	1.44	3.13	2.01	.75		.67	373.78			

Materials / Ordering Options / Examples

- * SAE Single-Part Flange (without O-ring) made of Steel S355J0 or equivalent, blank (oiled) **BFX-...-U**-W1**
- * SAE Single-Part Flange (without O-ring) made of Stainless Steel V4A - 1.4404 (on request) **BFX-...-U**-W5**

- * Kit including Metric bolts 8.8, spring rings, O-ring made of NBR (Buna-N®) **BFX-...-U**-W46-K**
- * Kit including Metric bolts 8.8, spring rings, O-ring made of FKM (Viton®) **BFX-...-U**-V-W46-K**
- * Kit including Metric bolts 10.9, spring rings, O-ring made of NBR (Buna-N®) **BFX-...-U**-MH-W1-K**
- * Kit including UNC bolts (Grade 8), spring rings, O-ring made of NBR (Buna-N®) **BFX-...-U**-U-W1-K**

Please always indicate Thread Size.

¹ The maximum working pressure PN (bar/PSI) applies only to the flange itself and depends on the bolts used (Grade 8.8 / 10.9). The actual maximum working pressure depends on the thickness and the quality of the tube used.

² For UNC threaded bolts, use hexagon head bolts only. Please note that these do not belong to our product range.

³ Alternative options shown in brackets are available on request.

