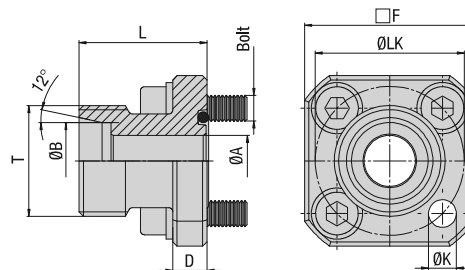


|   |   |     |
|---|---|-----|
|    | <b>4-Hole Flange with Male Metric Thread and 24° Conical Bore (Shape W acc. to DIN 3861)</b><br>GP-LK-L/S       | 100 |
|    | <b>4-Hole 90° Flange with Male Metric Thread and 24° Conical Bore (Shape W acc. to DIN 3861)</b><br>WP-3-LK-L/S | 101 |
|    | <b>3-Hole 90° Flange with Male Metric Thread and 24° Conical Bore (Shape W acc. to DIN 3861)</b><br>WP-3-LK-L/S | 102 |
|    | <b>3-Hole 90° Flange with Female BSPP Thread</b><br>WP-3-LK-G   | 103 |
|    | <b>4-Hole 90° Flange with Female BSPP Thread</b><br>WP-LK-G   | 104 |
|    | <b>3-Hole 90° Flange with Female BSPP Thread (Aluminium)</b><br>WP-3-LK-G-W50                                   | 105 |
|    | <b>4-Hole 90° Flange with Female BSPP Thread (Aluminium)</b><br>WP-LK-G-W50                                     | 106 |
|    | <b>4-Hole Flange with Female BSPP Thread (Flat Style)</b><br>GP-FL-LK-G   | 107 |
|    | <b>4-Hole Butt-Weld Flange</b><br>GP-LK-ST  | 108 |
|  | <b>4-Hole Flange with Male BSPP Thread and 60° Conical Bore (acc. to BS 5200)</b><br>GP-LK-B                    | 109 |
|  | <b>4-Hole Flange with Female BSPP Thread</b><br>GP-LK-G   | 110 |

F



**4-Hole Flange with Male Metric Thread and 24° Conical Bore (acc. to ISO 8434-1) Type GP-LK-L/S**



**F**

| PN <sup>1</sup><br>(bar/PSI) | Dimensions<br>(mm/in) |     |      |   | Series | D    | F    | L      | T (Metric) | ØK   | Weight<br>(kg/lbs) ca.<br>per 100 | Bolts<br>Metric | O-ring           | Ordering Codes |
|------------------------------|-----------------------|-----|------|---|--------|------|------|--------|------------|------|-----------------------------------|-----------------|------------------|----------------|
|                              | ØLK                   | ØA  | ØB   |   |        |      |      |        |            |      |                                   |                 |                  |                |
| 315                          | 35                    | 7   | 10   | L | 8      | 40   | 30   | 16x1,5 | 6,5        | 13,1 | 4 x M6x22                         | 20x2,5          | GP-LK35-10L-W3-K |                |
| 4568                         | 1.38                  | .28 | .39  |   | .31    | 1.57 | 1.18 | .26    | 28.82      |      |                                   |                 |                  |                |
| 315                          | 35                    | 9   | 12   | L | 8      | 40   | 30   | 18x1,5 | 6,5        | 13,5 | 4 x M6x22                         | 20x2,5          | GP-LK35-12L-W3-K |                |
| 4568                         | 1.38                  | .35 | .47  |   | .31    | 1.57 | 1.18 | .26    | 29.70      |      |                                   |                 |                  |                |
| 250                          | 35                    | 11  | 15   | L | 8      | 40   | 30   | 22x1,5 | 6,5        | 14,8 | 4 x M6x22                         | 20x2,5          | GP-LK35-15L-W3-K |                |
| 3625                         | 1.38                  | .43 | .59  |   | .31    | 1.57 | 1.18 | .26    | 32.56      |      |                                   |                 |                  |                |
| 250                          | 35                    | 12  | 18   | L | 8      | 40   | 30   | 26x1,5 | 6,5        | 15,3 | 4 x M6x22                         | 20x2,5          | GP-LK35-18L-W3-K |                |
| 3625                         | 1.38                  | .47 | .71  |   | .31    | 1.57 | 1.18 | .26    | 33.66      |      |                                   |                 |                  |                |
| 315                          | 35                    | 12  | 16   | S | 8      | 40   | 30   | 24x1,5 | 6,5        | 14,5 | 4 x M6x22                         | 20x2,5          | GP-LK35-16S-W3-K |                |
| 4568                         | 1.38                  | .47 | .63  |   | .31    | 1.57 | 1.18 | .26    | 31.90      |      |                                   |                 |                  |                |
| 100                          | 40                    | 11  | 15   | L | 8      | 40   | 35   | 22x1,5 | 6,5        | 15,7 | 4 x M6x22                         | 26x2,5          | GP-LK40-15L-W3-K |                |
| 1450                         | 1.57                  | .43 | .59  |   | .31    | 1.57 | 1.38 | .26    | 34.54      |      |                                   |                 |                  |                |
| 100                          | 40                    | 14  | 18   | L | 8      | 40   | 35   | 26x1,5 | 6,5        | 16,8 | 4 x M6x22                         | 26x2,5          | GP-LK40-18L-W3-K |                |
| 1450                         | 1.57                  | .55 | .71  |   | .31    | 1.57 | 1.38 | .26    | 36.96      |      |                                   |                 |                  |                |
| 100                          | 40                    | 18  | 22   | L | 8      | 40   | 35   | 30x2   | 6,5        | 16,3 | 4 x M6x22                         | 26x2,5          | GP-LK40-22L-W3-K |                |
| 1450                         | 1.57                  | .71 | .87  |   | .31    | 1.57 | 1.38 | .26    | 35.86      |      |                                   |                 |                  |                |
| 100                          | 40                    | 18  | 28   | L | 8      | 40   | 35   | 36x2   | 6,5        | 18,0 | 4 x M6x22                         | 26x2,5          | GP-LK40-28L-W3-K |                |
| 1450                         | 1.57                  | .71 | 1.10 |   | .31    | 1.57 | 1.38 | .26    | 39.60      |      |                                   |                 |                  |                |
| 100                          | 55                    | 25  | 28   | L | 12     | 55   | 40   | 36x2   | 8,5        | 34,3 | 4 x M8x25                         | 32x2,5          | GP-LK55-28L-W3-K |                |
| 1450                         | 2.17                  | .98 | 1.10 |   | .47    | 2.17 | 1.57 | .33    | 75.46      |      |                                   |                 |                  |                |
| 100                          | 55                    | 25  | 35   | L | 12     | 55   | 50   | 45x2   | 8,5        | 50,2 | 4 x M8x25                         | 32x2,5          | GP-LK55-35L-W3-K |                |
| 1450                         | 2.17                  | .98 | 1.38 |   | .47    | 2.17 | 1.97 | .33    | 110.44     |      |                                   |                 |                  |                |
| 250                          | 55                    | 16  | 20   | S | 12     | 55   | 35   | 30x2   | 8,5        | 42,9 | 4 x M8x25                         | 32x2,5          | GP-LK55-20S-W3-K |                |
| 3625                         | 2.17                  | .63 | .79  |   | .47    | 2.17 | 1.38 | .33    | 94.38      |      |                                   |                 |                  |                |

**Materials / Ordering Options / Examples**

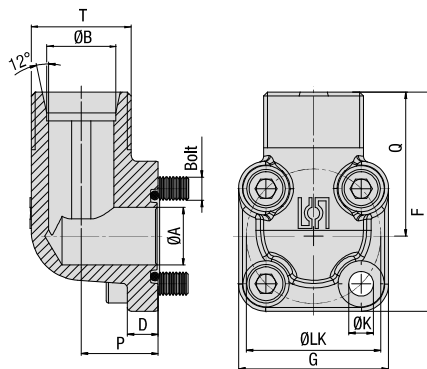
\* Kit with 4-Hole Flange made of Steel S355J0 or equivalent, zinc/nickel-plated including Metric bolts 8.8, spring rings, O-ring made of NBR (Buna-N®)

**GP-LK...-...-W3-K**

**Please always indicate ØLK, ØB and Series.**

<sup>1</sup> The maximum working pressure PN (bar/PSI) applies only to the flange itself. The actual maximum working pressure depends on the thickness and the quality of the tube used.





### 4-Hole 90° Flange with Male Metric Thread and 24° Conical Bore (acc. to ISO 8434-1) Type WP-LK-L/S



| PN <sup>1</sup><br>( <sup>bar</sup> /psi) | Dimensions<br>( <sup>mm</sup> / <sup>in</sup> ) |      |      | Series | D   | F    | G    | P    | Q    | T (Metric) | ØK  | Weight<br>( <sup>kg</sup> / <sup>lbs</sup> ) ca.<br>per 100 | Bolts<br>Metric | O-ring | Ordering Codes   |
|---|---|------|------|--------|-----|------|------|------|------|------------|-----|---|-----------------|--------|------------------|
|   | ØLK   | ØA   | ØB   |        |     |      |      |      |      |            |     |   |                 |        |                  |
| 315                                       | 35  | 14   | 10   | L      | 8   | 57   | 39   | 16,5 | 37,5 | 16x1,5     | 6,4 | 18,4  | 2 x M6x22       | 20x2,5 | WP-LK35-10L-W3-K |
| 4568                                      | 1.38  | .55  | .39  |        | .31 | 2.24 | 1.54 | .65  | 1.48 |            | .25 | 40.48   | 2 x M6x35       |        |                  |
| 315                                       | 35  | 14   | 12   | L      | 8   | 57   | 39   | 16,5 | 37,5 | 18x1,5     | 6,4 | 19,2  | 2 x M6x22       | 20x2,5 | WP-LK35-12L-W3-K |
| 4568                                      | 1.38  | .55  | .47  |        | .31 | 2.24 | 1.54 | .65  | 1.48 |            | .25 | 42.24   | 2 x M6x35       |        |                  |
| 250                                       | 35  | 14   | 15   | L      | 8   | 56,5 | 39   | 16,5 | 37,5 | 22x1,5     | 6,4 | 20,2  | 2 x M6x22       | 20x2,5 | WP-LK35-15L-W3-K |
| 3625                                      | 1.38  | .55  | .59  |        | .31 | 2.22 | 1.54 | .65  | 1.48 |            | .25 | 44.44   | 2 x M6x35       |        |                  |
| 250                                       | 35  | 15   | 18   | L      | 8   | 57   | 39   | 20   | 37,5 | 26x1,5     | 6,4 | 22,0  | 2 x M6x22       | 20x2,5 | WP-LK35-18L-W3-K |
| 3625                                      | 1.38  | .59  | .71  |        | .31 | 2.24 | 1.54 | .79  | 1.48 |            | .25 | 48.40   | 2 x M6x40       |        |                  |
| 315                                       | 35  | 15   | 16   | S      | 8   | 57,5 | 39   | 20   | 38   | 24x1,5     | 6,4 | 25,3  | 2 x M6x22       | 20x2,5 | WP-LK35-16S-W3-K |
| 4568                                      | 1.38  | .59  | .63  |        | .31 | 2.26 | 1.54 | .79  | 1.50 |            | .25 | 55.66   | 2 x M6x40       |        |                  |
| 315                                       | 35  | 15   | 20   | S      | 8   | 64,5 | 39   | 25   | 45   | 30x2       | 6,4 | 30,3  | 2 x M6x22       | 20x2,5 | WP-LK35-20S-W3-K |
| 4568                                      | 1.38  | .59  | .79  |        | .31 | 2.54 | 1.54 | .98  | 1.77 |            | .25 | 66.66   | 2 x M6x45       |        |                  |
| 100                                       | 40  | 20   | 15   | L      | 9   | 58   | 42   | 22,5 | 37   | 22x1,5     | 6,4 | 26,0  | 4 x M6x22       | 26x2,5 | WP-LK40-15L-W3-K |
| 1450                                      | 1.57  | .79  | .59  |        | .35 | 2.28 | 1.65 | .89  | 1.46 |            | .25 | 57.14   | 4 x M6x22       |        |                  |
| 100                                       | 40  | 20   | 18   | L      | 9   | 59   | 42   | 22,5 | 38   | 26x1,5     | 6,4 | 26,8  | 4 x M6x22       | 26x2,5 | WP-LK40-18L-W3-K |
| 1450                                      | 1.57  | .79  | .71  |        | .35 | 2.32 | 1.65 | .89  | 1.50 |            | .25 | 58.96   | 4 x M6x22       |        |                  |
| 100                                       | 40  | 20   | 22   | L      | 9   | 59   | 42   | 22,5 | 38   | 30x2       | 6,4 | 26,7  | 4 x M6x22       | 26x2,5 | WP-LK40-22L-W3-K |
| 1450                                      | 1.57  | .79  | .87  |        | .35 | 2.32 | 1.65 | .89  | 1.50 |            | .25 | 58.84   | 4 x M6x22       |        |                  |
| 100                                       | 40  | 20   | 28   | L      | 9   | 61   | 42   | 28   | 40   | 36x2       | 6,4 | 36,9  | 2 x M6x22       | 26x2,5 | WP-LK40-28L-W3-K |
| 1450                                      | 1.57  | .79  | 1.10 |        | .35 | 2.40 | 1.65 | 1.10 | 1.57 |            | .25 | 81.27   | 2 x M6x50       |        |                  |
| 100                                       | 40  | 20   | 35   | L      | 9   | 62   | 42   | 34   | 41   | 45x2       | 6,4 | 40,6  | 2 x M6x22       | 26x2,5 | WP-LK40-35L-W3-K |
| 1450                                      | 1.57  | .79  | 1.38 |        | .35 | 2.44 | 1.65 | 1.34 | 1.61 |            | .25 | 89.32   | 2 x M6x60       |        |                  |
| 250                                       | 40  | 20   | 20   | S      | 9   | 61   | 42   | 22,5 | 40   | 30x2       | 6,4 | 25,9  | 2 x M6x22       | 26x2,5 | WP-LK40-20S-W3-K |
| 3625                                      | 1.57  | .79  | .79  |        | .35 | 2.40 | 1.65 | .89  | 1.57 |            | .25 | 56.98   | 2 x M6x45       |        |                  |
| 100                                       | 55  | 26,5 | 35   | L      | 12  | 78   | 58   | 32   | 49   | 45x2       | 8,4 | 76,6  | 2 x M8x25       | 32x2,5 | WP-LK55-35L-W3-K |
| 1450                                      | 2.17  | 1.04 | 1.38 |        | .47 | 3.07 | 2.28 | 1.26 | 1.93 |            | .33 | 168.52  | 2 x M8x60       |        |                  |
| 100                                       | 55  | 26,5 | 42   | L      | 12  | 78   | 58   | 40   | 49   | 52x2       | 8,4 | 103,6   | 2 x M8x25       | 32x2,5 | WP-LK55-42L-W3-K |
| 1450                                      | 2.17  | 1.04 | 1.65 |        | .47 | 3.07 | 2.28 | 1.57 | 1.93 |            | .33 | 227.88  | 2 x M8x70       |        |                  |
| 250                                       | 55  | 18   | 20   | S      | 13  | 69   | 58   | 24   | 45   | 30x2       | 8,4 | 61,7  | 2 x M8x25       | 32x2,5 | WP-LK55-20S-W3-K |
| 3625                                      | 2.17  | .71  | .79  |        | .51 | 2.72 | 2.28 | .94  | 1.77 |            | .33 | 135.70  | 2 x M8x50       |        |                  |
| 250                                       | 55  | 26,5 | 25   | S      | 13  | 78   | 58   | 30   | 49   | 36x2       | 8,4 | 62,0  | 2 x M8x25       | 32x2,5 | WP-LK55-25S-W3-K |
| 3625                                      | 2.17  | 1.04 | .98  |        | .51 | 3.07 | 2.28 | 1.18 | 1.93 |            | .33 | 136.40  | 2 x M8x55       |        |                  |
| 250                                       | 55  | 26,5 | 30   | S      | 12  | 78   | 58   | 32   | 49   | 42x2       | 8,4 | 63,2  | 2 x M8x25       | 32x2,5 | WP-LK55-30S-W3-K |
| 3625                                      | 2.17  | 1.04 | 1.18 |        | .47 | 3.07 | 2.28 | 1.26 | 1.93 |            | .33 | 139.04  | 2 x M8x50       |        |                  |

**F**

<sup>1</sup> The maximum working pressure PN (bar/PSI) applies only to the flange itself. The actual maximum working pressure depends on the thickness and the quality of the tube used.

#### Materials / Ordering Options / Examples

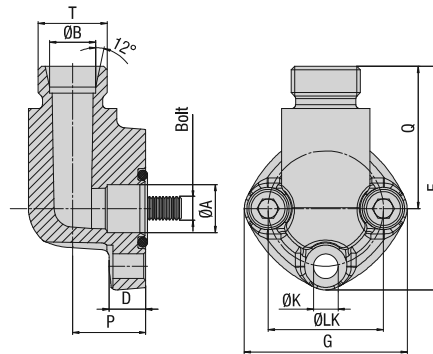
\* Kit with 4-Hole Flange made of Steel S355J0 or equivalent, zinc/nickel-plated including Metric bolts 8.8, spring rings, O-ring made of NBR (Buna-N®)

WP-LK...-...-W3-K

Please always indicate ØLK, ØB and Series.



**3-Hole 90° Flange with Male Metric Thread and 24° Conical Bore (acc. to ISO 8434-1)  
Type WP-3-LK-L/S**



| PN <sup>1</sup><br>( <sup>bar</sup> / <sup>PSI</sup> ) | Dimensions<br>( <sup>mm</sup> / <sup>in</sup> ) |      |      |   | D    | F    | G    | P   | Q    | T (Metric) | ØK  | Weight<br>( <sup>kg</sup> / <sup>lbs</sup> ) ca.<br>per 100 | Bolts     | O-ring | Ordering Codes     |
|--|---|------|------|---|------|------|------|-----|------|------------|-----|---|-----------|--------|--------------------|
|  | ØLK   | ØA   | ØB   |   |      |      |      |     |      |            |     |   | Metric    |        |                    |
| 8.8  | ØLK   | ØA   | ØB   |   |      |      |      |     |      |            |     |   | Metric    |        |                    |
| 250  | 30  | 12,5 | 12   | L | 9,5  | 58   | 42,5 | 19  | 37   | 18x1,5     | 6,4 | 17,7  | 3 x M6x25 | 16x2,5 | WP-3-LK30-12L-W3-K |
| 3625   | 1.18  | .49  | .47  |   | .37  | 2.28 | 1.67 | .75 | 1.46 |            | .25 | 38.94   |           |        |                    |
| 250  | 30  | 12,5 | 15   | L | 9,5  | 58   | 42,5 | 19  | 37   | 22x1,5     | 6,4 | 19,5  | 3 x M6x25 | 16x2,5 | WP-3-LK30-15L-W3-K |
| 3625   | 1.18  | .49  | .59  |   | .37  | 2.28 | 1.67 | .75 | 1.46 |            | .25 | 42.96   |           |        |                    |
| 160  | 40  | 19   | 22   | L | 13,5 | 70   | 54   | 25  | 43   | 30x2       | 8,4 | 40,4  | 3 x M8x30 | 24x2,5 | WP-3-LK40-22L-W3-K |
| 2320   | 1.57  | .75  | .87  |   | .53  | 2.76 | 2.13 | .98 | 1.69 |            | .33 | 88.88   |           |        |                    |
| 160  | 40  | 19   | 28   | L | 13,5 | 70   | 54   | 25  | 43   | 36x2       | 8,4 | 35,7  | 3 x M8x30 | 24x2,5 | WP-3-LK40-28L-W3-K |
| 2320   | 1.57  | .75  | 1.10 |   | .53  | 2.76 | 2.13 | .98 | 1.69 |            | .33 | 78.54   |           |        |                    |

**F**

**Materials / Ordering Options / Examples**

\* Kit with 3-Hole Flange made of Steel S355J0 or equivalent, zinc/nickel-plated including Metric bolts 8.8, spring rings, O-ring made of NBR (Buna-N®)

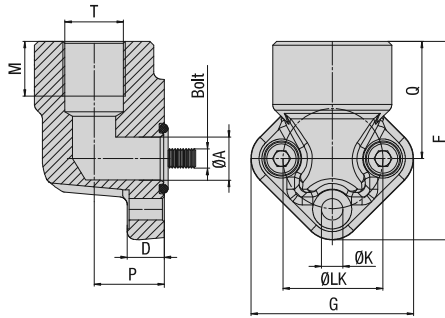
**WP-3-LK...-...-W3-K**

Please always indicate ØLK, ØB and Series.

<sup>1</sup> The maximum working pressure PN (bar/PSI) applies only to the flange itself. The actual maximum working pressure depends on the thickness and the quality of the tube used.



3-Hole 90° Flange with Female BSPP Thread  
Type WP-3-LK-G



| PN <sup>1</sup><br>( <sup>bar</sup> / <sup>PSI</sup> ) | Dimensions<br>( <sup>mm</sup> / <sup>in</sup> ) |      |      |      |      |      |      |      |          |      | Weight<br>( <sup>kg</sup> / <sup>lbs</sup> ) ca.<br>per 100 | Bolts<br>Metric | O-ring  | Ordering Codes     |
|--|---|------|------|------|------|------|------|------|----------|------|---|-----------------|---------|--------------------|
|  | ØLK   | ØA   | D    | F    | G    | M    | P    | Q    | T (BSPP) | ØK   |   |                 |         |                    |
| 300  | 26  | 11,5 | 9,5  | 51   | 42   | 14   | 18   | 30   | 3/8 (06) | 5,5  | 9,1   | 3 x M5x20       | 14x1,78 | WP-3-LK26-G06-W3-K |
| 4350   | 1.02  | .45  | .37  | 2.01 | 1.65 | .55  | .71  | 1.18 | 1/2 (08) | .22  | 20.02   | 3 x M5x20       | 14x1,78 | WP-3-LK26-G08-W3-K |
| 300  | 26  | 11,5 | 9,5  | 51   | 42   | 14   | 18   | 30   | 3/8 (06) | 5,5  | 8,6   | 3 x M6x20       | 16x2,5  | WP-3-LK30-G06-W3-K |
| 4350   | 1.02  | .45  | .37  | 2.01 | 1.65 | .55  | .71  | 1.18 | 1/2 (08) | .22  | 18.92   | 3 x M6x20       | 16x2,5  | WP-3-LK30-G08-W3-K |
| 300  | 30  | 11,5 | 9,5  | 51   | 42   | 14   | 18   | 30   | 3/8 (06) | 6,5  | 12,0  | 3 x M6x20       | 16x2,5  | WP-3-LK30-G06-W3-K |
| 4350   | 1.18  | .45  | .37  | 2.01 | 1.65 | .55  | .71  | 1.18 | 1/2 (08) | .26  | 26.40   | 3 x M6x20       | 16x2,5  | WP-3-LK30-G08-W3-K |
| 300  | 30  | 11,5 | 9,5  | 51   | 42   | 14   | 18   | 30   | 1/2 (08) | 6,5  | 11,2  | 3 x M8x25       | 24x2,5  | WP-3-LK40-G08-W3-K |
| 4350   | 1.18  | .45  | .37  | 2.01 | 1.65 | .55  | .71  | 1.18 | 3/4 (12) | .26  | 24.64   | 3 x M8x25       | 24x2,5  | WP-3-LK40-G12-W3-K |
| 300  | 40  | 18   | 11,5 | 68   | 61   | 18   | 21   | 38   | 3/4 (12) | 8,5  | 24,0  | 3 x M10x30      | 32x2,5  | WP-3-LK51-G12-W3-K |
| 4350   | 1.57  | .71  | .45  | 2.68 | 2.40 | .71  | .83  | 1.50 | 1 (16)   | .33  | 52.80   | 3 x M10x30      | 32x2,5  | WP-3-LK51-G16-W3-K |
| 300  | 40  | 18   | 11,5 | 68   | 61   | 22   | 21   | 38   | 3/4 (12) | 8,5  | 22,8  | 3 x M10x30      | 38x2,5  | WP-3-LK56-G12-W3-K |
| 4350   | 1.57  | .71  | .45  | 2.68 | 2.40 | .87  | .83  | 1.50 | 1 (16)   | .33  | 50.16   | 3 x M10x30      | 38x2,5  | WP-3-LK56-G16-W3-K |
| 300  | 51  | 25   | 13,5 | 84   | 75   | 22   | 27   | 47   | 3/4 (12) | 10,5 | 49,8  | 3 x M10x30      | 38x2,5  | WP-3-LK56-G12-W3-K |
| 4350   | 2.01  | .98  | .53  | 3.31 | 2.95 | .87  | 1.06 | 1.85 | 1 (16)   | .41  | 109.56  | 3 x M10x30      | 38x2,5  | WP-3-LK56-G16-W3-K |
| 300  | 51  | 25   | 13,5 | 84   | 75   | 27   | 27   | 47   | 3/4 (12) | 10,5 | 46,4  | 3 x M10x30      | 38x2,5  | WP-3-LK51-G12-W3-K |
| 4350   | 2.01  | .98  | .53  | 3.31 | 2.95 | 1.06 | 1.06 | 1.85 | 1 (16)   | .41  | 102.08  | 3 x M10x30      | 38x2,5  | WP-3-LK51-G16-W3-K |
| 300  | 56  | 34   | 13,5 | 84   | 75   | 22   | 27   | 47   | 3/4 (12) | 10,5 | 69,4  | 3 x M10x30      | 38x2,5  | WP-3-LK56-G12-W3-K |
| 4350   | 2.20  | 1.34 | .53  | 3.31 | 2.95 | .87  | 1.06 | 1.85 | 1 (16)   | .41  | 152.68  | 3 x M10x30      | 38x2,5  | WP-3-LK56-G16-W3-K |
| 300  | 56  | 34   | 13,5 | 84   | 75   | 27   | 27   | 47   | 3/4 (12) | 10,5 | 60,7  | 3 x M10x30      | 38x2,5  | WP-3-LK56-G12-W3-K |
| 4350   | 2.20  | 1.34 | .53  | 3.31 | 2.95 | 1.06 | 1.06 | 1.85 | 1 (16)   | .41  | 133.54  | 3 x M10x30      | 38x2,5  | WP-3-LK56-G16-W3-K |

F

<sup>1</sup> The maximum working pressure PN (bar/PSI) applies only to the flange itself. The actual maximum working pressure depends on the thickness and the quality of the tube used.

Materials / Ordering Options / Examples

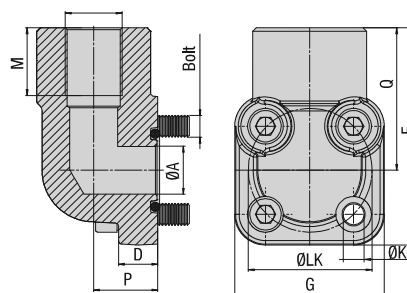
\* Kit with 3-Hole Flange made of Steel S355J0 or equivalent, zinc/nickel-plated including Metric bolts 8.8, spring rings, O-ring made of NBR (Buna-N®)

WP-3-LK...-G\*\*-W3-K

Please always indicate ØLK and Thread Size.



**4-Hole 90° Flange with Female BSPP Thread  
Type WP-LK-G**



**F**

| PN <sup>1</sup><br>( <sup>bar</sup> / <sup>PSI</sup> ) | Dimensions<br>( <sup>mm</sup> / <sup>in</sup> ) |      |     |      |      |     |      |      |            |     | Weight<br>( <sup>kg</sup> / <sup>lbs</sup> ) ca.<br>per 100 | Bolts<br>Metric | O-ring | Ordering Codes   |  |
|--|---|------|-----|------|------|-----|------|------|------------|-----|---|-----------------|--------|------------------|--|
|  | ØLK   | ØA   | D   | F    | G    | M   | P    | Q    | T (BSPP)   | ØK  |   |                 |        |                  |  |
| 8.8  |   |      |     |      |      |     |      |      |            |     |   |                 |        |                  |  |
| 300  | 35  | 13,5 | 11  | 61   | 42   | 19  | 18   | 40   | 3/8 (06)   | 6,5 | 33,1  | 2 x M6x20       | 19x2,5 | WP-LK35-G06-W3-K |  |
| 4350   | 1.38  | .53  | .43 | 2.40 | 1.65 | .75 | .71  | 1.57 |            | .26 | 72.82   | 2 x M6x35       |        |                  |  |
| 300  | 35  | 13,5 | 11  | 61   | 42   | 19  | 18   | 40   | 1/2 (08)   | 6,5 | 32,3  | 2 x M6x20       | 19x2,5 | WP-LK35-G08-W3-K |  |
| 4350   | 1.38  | .53  | .43 | 2.40 | 1.65 | .75 | .71  | 1.57 |            | .26 | 71.06   | 2 x M6x35       |        |                  |  |
| 300  | 40  | 20   | 10  | 67,5 | 45   | 19  | 24   | 45   | 1/2 (08)   | 6,5 | 38,3  | 2 x M6x25       | 24x2,5 | WP-LK40-G08-W3-K |  |
| 4350   | 1.57  | .79  | .39 | 2.66 | 1.77 | .75 | .94  | 1.77 |            | .26 | 84.26   | 2 x M6x45       |        |                  |  |
| 300  | 40  | 20   | 10  | 67,5 | 45   | 20  | 24   | 45   | 3/4 (12)   | 6,5 | 35,7  | 2 x M6x25       | 24x2,5 | WP-LK40-G12-W3-K |  |
| 4350   | 1.57  | .79  | .39 | 2.66 | 1.77 | .79 | .94  | 1.77 |            | .26 | 78.49   | 2 x M6x45       |        |                  |  |
| 300  | 40  | 20   | 10  | 67,5 | 45   | 22  | 24   | 45   | 1 (16)     | 6,5 | 48,3  | 3 x M6x25       | 24x2,5 | WP-LK40-G16-W3-K |  |
| 4350   | 1.57  | .79  | .39 | 2.66 | 1.77 | .87 | .94  | 1.77 |            | .26 | 106.26  | 2 x M6x55       |        |                  |  |
| 250  | 55  | 25   | 13  | 83,5 | 59   | 22  | 35   | 54   | 1 (16)     | 8,5 | 82,3  | 2 x M8x25       | 32x2,5 | WP-LK55-G16-W3-K |  |
| 3625   | 2.17  | .98  | .51 | 3.29 | 2.32 | .87 | 1.38 | 2.13 |            | .33 | 181.06  | 2 x M8x60       |        |                  |  |
| 250  | 55  | 25   | 13  | 83,5 | 59   | 25  | 35   | 54   | 1-1/4 (20) | 8,5 | 107,2   | 3 x M8x25       | 32x2,5 | WP-LK55-G20-W3-K |  |
| 3625   | 2.17  | .98  | .51 | 3.29 | 2.32 | .98 | 1.38 | 2.13 |            | .33 | 235.84  | 2 x M8x70       |        |                  |  |

**Materials / Ordering Options / Examples**

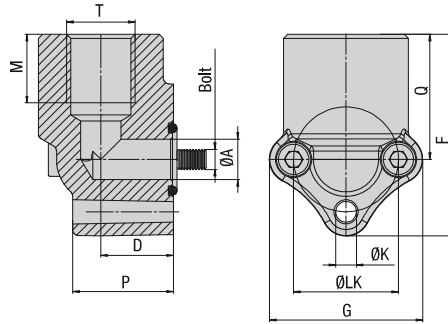
\* Kit with 4-Hole Flange made of Steel S355J0 or equivalent, zinc/nickel-plated including Metric bolts 8.8, spring rings, O-ring made of NBR (Buna-N®)

**WP-LK...-G\*\*-W3-K**

Please always indicate ØLK and Thread Size.

<sup>1</sup> The maximum working pressure PN (bar/PSI) applies only to the flange itself. The actual maximum working pressure depends on the thickness and the quality of the tube used.





**3-Hole 90° Flange with Female BSPP Thread (Aluminium)  
Type WP-3-LK-G-W50**



| PN <sup>1</sup><br>(bar/PSI) | Dimensions |      |      |      |      |      |      |      |          |     | Weight<br>( <sup>kg</sup> /lbs) ca.<br>per 100 | Bolts<br>Metric | O-ring     | Ordering Codes      |
|------------------------------|------------|------|------|------|------|------|------|------|----------|-----|--|-----------------|------------|---------------------|
|                              | ØLK        | ØA   | D    | F    | G    | M    | P    | Q    | T (BSPP) | ØK  |  |                 |            |                     |
| 180                          | 26         | 10   | 25   | 50   | 38   | 17   | 18   | 31   | 3/8 (06) | 6   | 9,1  | 3 x M5x35       | 14x1,78    | WP-3-LK26-G06-W50-K |
| 2610                         | 1.02       | .39  | .98  | 1.97 | 1.50 | .67  | .71  | 1.22 | 3/8 (06) | .24 | 20.02  | 3 x M5x35       | 14x1,78    | WP-3-LK26-G08-W50-K |
| 180                          | 26         | 10   | 25   | 50   | 38   | 18   | 18   | 31   | 1/2 (08) | 6   | 8,6  | 3 x M5x35       | 14x1,78    | WP-3-LK26-G08-W50-K |
| 2610                         | 1.02       | .39  | .98  | 1.97 | 1.50 | .71  | .71  | 1.22 | 1/2 (08) | .24 | 18.92  | 3 x M5x35       | 14x1,78    | WP-3-LK26-G08-W50-K |
| 180                          | 30         | 12,5 | 26   | 53   | 40   | 17   | 18   | 31   | 3/8 (06) | 7   | 12,0   | 3 x M6x35       | 15,88x2,62 | WP-3-LK30-G06-W50-K |
| 2610                         | 1.18       | .49  | 1.02 | 2.09 | 1.57 | .67  | .71  | 1.22 | 3/8 (06) | .28 | 26.40  | 3 x M6x35       | 15,88x2,62 | WP-3-LK30-G06-W50-K |
| 180                          | 30         | 12,5 | 26   | 53   | 44   | 18   | 18   | 31   | 1/2 (08) | 7   | 11,2   | 3 x M6x35       | 15,88x2,62 | WP-3-LK30-G08-W50-K |
| 2610                         | 1.18       | .49  | 1.02 | 2.09 | 1.73 | .71  | .71  | 1.22 | 1/2 (08) | .28 | 24.64  | 3 x M6x35       | 15,88x2,62 | WP-3-LK30-G08-W50-K |
| 180                          | 40         | 18   | 31   | 68   | 56   | 18   | 21,5 | 40   | 1/2 (08) | 9,5 | 24,0   | 3 x M8x45       | 21,89x2,62 | WP-3-LK40-G08-W50-K |
| 2610                         | 1.57       | .71  | 1.22 | 2.68 | 2.20 | .71  | .85  | 1.57 | 1/2 (08) | .37 | 52.80  | 3 x M8x45       | 21,89x2,62 | WP-3-LK40-G08-W50-K |
| 180                          | 40         | 18   | 31   | 68   | 56   | 22   | 21,5 | 40   | 3/4 (12) | 9,5 | 22,8   | 3 x M8x45       | 21,89x2,62 | WP-3-LK40-G12-W50-K |
| 2610                         | 1.57       | .71  | 1.22 | 2.68 | 2.20 | .87  | .85  | 1.57 | 3/4 (12) | .37 | 50.16  | 3 x M8x45       | 21,89x2,62 | WP-3-LK40-G12-W50-K |
| 180                          | 51-56      | 24,5 | 42   | 85   | 78   | 22   | 26   | 46   | 3/4 (12) | 11  | 49,8   | 3 x M10x60      | 29,74x2,62 | WP-3-LK51-G12-W50-K |
| 2610                         | 2.01-2.20  | .96  | 1.65 | 3.35 | 3.07 | .87  | 1.02 | 1.81 | 3/4 (12) | .43 | 109.56   | 3 x M10x60      | 29,74x2,62 | WP-3-LK51-G12-W50-K |
| 180                          | 51-56      | 24,5 | 42   | 85   | 78   | 27   | 26   | 46   | 1 (16)   | 11  | 46,4   | 3 x M10x60      | 29,74x2,62 | WP-3-LK51-G16-W50-K |
| 2610                         | 2.01-2.20  | .96  | 1.65 | 3.35 | 3.07 | 1.06 | 1.02 | 1.81 | 1 (16)   | .43 | 102.08   | 3 x M10x60      | 29,74x2,62 | WP-3-LK51-G16-W50-K |

F

<sup>1</sup> The maximum working pressure PN (bar/PSI) applies only to the flange itself. The actual maximum working pressure depends on the thickness and the quality of the tube used.

**Materials / Ordering Options / Examples**

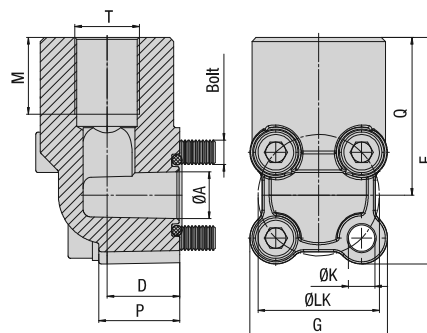
\* Kit with 3-Hole Flange made of Aluminium [EN AC-AI Si9Cu(Fe)] including Metric bolts 8.8, spring rings, O-ring made of NBR (Buna-N®)

WP-3-LK...-G\*\*-W50-K

Please always indicate ØLK and Thread Size.



**4-Hole 90° Flange with Female BSPP Thread (Aluminium)  
Type WP-LK-G-W50**



**F**

| PN <sup>1</sup><br>( <sup>bar</sup> / <sup>PSI</sup> ) | Dimensions<br>( <sup>mm</sup> / <sup>in</sup> ) |      |      |      |      |     |      |      |          | Weight<br>( <sup>kg</sup> / <sup>lbs</sup> ) ca.<br>per 100 | Bolts<br>Metric | O-ring    | Ordering Codes |                   |
|--|---|------|------|------|------|-----|------|------|----------|---|-----------------|-----------|----------------|-------------------|
|  | ØLK   | ØA   | D    | F    | G    | M   | P    | Q    | T (BSPP) |   |                 |           |                | ØK                |
| 180  | 30  | 11,5 | 20   | 56   | 34   | 19  | 18   | 39   | 3/8 (06) | 6,5   | 14,3            | 2 x M6x30 | 15,88x2,62     | WP-LK30-G06-W50-K |
| 2610   | 1.18  | .45  | .79  | 2.20 | 1.34 | .75 | .71  | 1.54 |          | .26   | 31.46           | 2 x M6x40 |                |                   |
| 180  | 30  | 11,5 | 20   | 56   | 34   | 19  | 18   | 39   | 1/2 (08) | 6,5   | 13,8            | 2 x M6x30 | 15,88x2,62     | WP-LK30-G08-W50-K |
| 2610   | 1.18  | .45  | .79  | 2.20 | 1.34 | .75 | .71  | 1.54 |          | .26   | 30.36           | 2 x M6x40 |                |                   |
| 180  | 35  | 14   | 20   | 61,5 | 38   | 19  | 18   | 42,5 | 3/8 (06) | 6,5   | 85,8            | 2 x M6x30 | 18,72x2,62     | WP-LK35-G06-W50-K |
| 2610   | 1.38  | .55  | .79  | 2.42 | 1.50 | .75 | .71  | 1.67 |          | .26   | 188.76          | 2 x M6x40 |                |                   |
| 180  | 35  | 14   | 20   | 61,5 | 38   | 19  | 18   | 42,5 | 1/2 (08) | 6,5   | 14,2            | 2 x M6x30 | 18,72x2,62     | WP-LK35-G08-W50-K |
| 2610   | 1.38  | .55  | .79  | 2.42 | 1.50 | .75 | .71  | 1.67 |          | .26   | 31.24           | 2 x M6x40 |                |                   |
| 180  | 40  | 18   | 28   | 69   | 43   | 19  | 24   | 47,5 | 1/2 (08) | 6,5   | 21,8            | 2 x M6x40 | 21,89x2,62     | WP-LK40-G08-W50-K |
| 2610   | 1.57  | .71  | 1.10 | 2.72 | 1.69 | .75 | .94  | 1.87 |          | .26   | 47.96           | 2 x M6x50 |                |                   |
| 180  | 40  | 18   | 28   | 69   | 43   | 20  | 24   | 47,5 | 3/4 (12) | 6,5   | 22,0            | 2 x M6x40 | 21,89x2,62     | WP-LK40-G12-W50-K |
| 2610   | 1.57  | .71  | 1.10 | 2.72 | 1.69 | .79 | .94  | 1.87 |          | .26   | 48.40           | 2 x M6x50 |                |                   |
| 180  | 55  | 24,5 | 31   | 83   | 58   | 20  | 29   | 54   | 3/4 (12) | 8,5   | 42,4            | 2 x M8x45 | 29,74x2,62     | WP-LK55-G12-W50-K |
| 2610   | 2.17  | .96  | 1.22 | 3.27 | 2.28 | .79 | 1.14 | 2.13 |          | .33   | 93.28           | 2 x M8x60 |                |                   |
| 180  | 55  | 24,5 | 31   | 83   | 58   | 22  | 29   | 54   | 1 (16)   | 8,5   | 41,0            | 2 x M8x45 | 29,74x2,62     | WP-LK55-G16-W50-K |
| 2610   | 2.17  | .96  | 1.22 | 3.27 | 2.28 | .87 | 1.14 | 2.13 |          | .33   | 90.20           | 2 x M8x60 |                |                   |

**Materials / Ordering Options / Examples**

\* Kit with 4-Hole Flange made of Aluminium [EN AC-AI Si9Cu(Fe)]  
including Metric bolts 8.8, spring rings, O-ring made of NBR (Buna-N®)

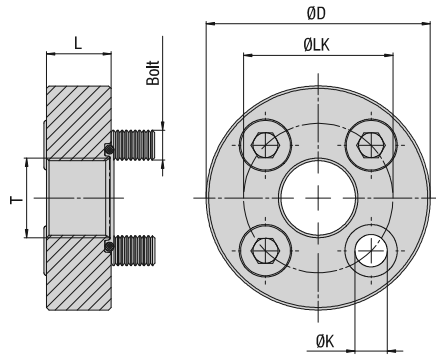
**WP-LK...-G\*\*-W50-K**

Please always indicate ØLK and Thread Size.

<sup>1</sup> The maximum working pressure PN (bar/PSI) applies only to the flange itself. The actual maximum working pressure depends on the thickness and the quality of the tube used.






**4-Hole Flange with Female BSPP Thread (Flat Style)  
Type GP-FL-LK-G**


| PN <sup>1</sup><br>(bar/PSI) | Dimensions |      |     |            |      | Weight<br>(kg/lbs) ca.<br>per 100 | Bolts<br>Metric | O-ring     | Ordering Codes            |
|------------------------------|------------|------|-----|------------|------|-----------------------------------|-----------------|------------|---------------------------|
|                              | ØLK        | ØD   | L   | T (BSPP)   | ØK   |                                   |                 |            |                           |
| 250                          | 30         | 45   | 13  | 3/8 (06)   | 6,5  | 14,3                              | M6x16           | 18,77x1,78 | GP-FL-LK30-G06-W129-K     |
| 3625                         | 1.18       | 1.77 | .51 | 3/8 (06)   | .26  | 31.46                             | M8x20           | 25,12x1,78 | GP-FL-LK40-G08-W129-K     |
| 250                          | 40         | 58   | 15  | 1/2 (08)   | 8,5  | 27,4                              | M10x25          | 31,42x2,62 | GP-FL-LK51-G12-W129-K     |
| 3625                         | 1.57       | 2.28 | .59 | 1/2 (08)   | .33  | 60.28                             | M10x25          | 31,42x2,62 | GP-FL-LK51-G12-W129-K     |
| 250                          | 51         | 75   | 18  | 3/4 (12)   | 10,5 | 55,3                              | M10x25          | 31,42x2,62 | GP-FL-LK51-G12-W129-K     |
| 3625                         | 2.01       | 2.95 | .71 | 3/4 (12)   | .41  | 121.66                            | M10x25          | 31,42x2,62 | GP-FL-LK51-G12-W129-K     |
| 250                          | 56         | 75   | 18  | 3/4 (12)   | 10,5 | 55,4                              | M10x25          | 31,42x2,62 | GP-FL-LK56-G12-W129-K     |
| 3625                         | 2.20       | 2.95 | .71 | 3/4 (12)   | .41  | 121.88                            | M10x25          | 31,42x2,62 | GP-FL-LK56-G12-W129-K     |
| 180                          | 62         | 88   | 20  | 1 (16)     | 10,5 | 82,0                              | M10x25          | 39,69x3,53 | GP-FL-LK62-G16-W129-K     |
| 2610                         | 2.44       | 3.46 | .79 | 1 (16)     | .41  | 180.40                            | M10x25          | 39,69x3,53 | GP-FL-LK62-G16-W129-K     |
| 180                          | 62         | 88   | 20  | 1 (16)     | 12,5 | 81,5                              | M12x25          | 39,69x3,53 | GP-FL-LK62-G16-M12-W129-K |
| 2610                         | 2.44       | 3.46 | .79 | 1 (16)     | .49  | 179.30                            | M12x25          | 39,69x3,53 | GP-FL-LK62-G16-M12-W129-K |
| 180                          | 72,5       | 98   | 22  | 1-1/4 (20) | 12,5 | 106,6                             | M12x30          | 47,22x3,53 | GP-FL-LK72.5-G20-W129-K   |
| 2610                         | 2.85       | 3.86 | .87 | 1-1/4 (20) | .49  | 234.52                            | M12x30          | 47,22x3,53 | GP-FL-LK72.5-G20-W129-K   |

**F**

<sup>1</sup> The maximum working pressure PN (bar/PSI) applies only to the flange itself. The actual maximum working pressure depends on the thickness and the quality of the tube used.

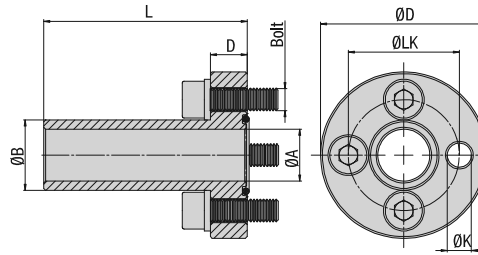
**Materials / Ordering Options / Examples**

\* Kit with 4-Hole Flange made of Steel S355J0 or equivalent, zinc-plated and thick-film-passivated **GP-LK...-G\*\*-W129-K** including Metric bolts 8.8, spring rings, O-ring made of NBR (Buna-N®)

Please always indicate ØLK and Thread Size.



**4-Hole Butt-Weld Flange  
Type GP-LK-ST**



| PN <sup>1</sup><br>(bar/PSI) | Dimensions<br>(mm/in) |      |      |     |      |      |      | Weight<br>( <sup>kg</sup> /lb) ca.<br>per 100 | Bolts<br>Metric | O-ring     | Ordering Codes          |
|------------------------------|-----------------------|------|------|-----|------|------|------|---|-----------------|------------|-------------------------|
|                              | ØLK                   | ØA   | ØB   | D   | ØD   | L    | ØK   |   |                 |            |                         |
| 8.8                          |                       |      |      |     |      |      |      |   |                 |            |                         |
| 250                          | 30                    | 14   | 19   | 10  | 45   | 55   | 6,5  | 17,9  | M6x20           | 18,77x1,78 | GP-LK30-ST-19/14-W1-K   |
| 3625                         | 1.18                  | .55  | .75  | .39 | 1.77 | 2.17 | .26  | 39.38   |                 |            |                         |
| 250                          | 40                    | 19   | 25,4 | 12  | 58   | 60   | 8,5  | 34,9  | M8x25           | 25,12x1,78 | GP-LK40-ST-25.4/19-W1-K |
| 3625                         | 1.57                  | .75  | 1.00 | .47 | 2.28 | 2.36 | .33  | 76.78   |                 |            |                         |
| 250                          | 51                    | 24,5 | 32   | 16  | 76   | 72   | 10,5 | 74,4  | M10x35          | 31,42x2,62 | GP-LK51-ST-32/24.5-W1-K |
| 3625                         | 2.01                  | .96  | 1.26 | .63 | 2.99 | 2.83 | .41  | 163.68  |                 |            |                         |
| 250                          | 56                    | 24,5 | 32   | 16  | 76   | 72   | 10,5 | 74,2  | M10x35          | 31,42x2,62 | GP-LK56-ST-32/24.5-W1-K |
| 3625                         | 2.20                  | .96  | 1.26 | .63 | 2.99 | 2.83 | .41  | 163.24  |                 |            |                         |

**F**

**Materials / Ordering Options / Examples**

\* Kit with 4-Hole Flange made of Steel S355J0 or equivalent, blank (oiled) including Metric bolts 8.8, spring rings, O-ring made of NBR (Buna-N®)

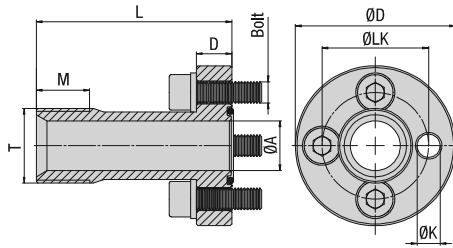
**GP-LK...-ST-\*\*-\*\*-W1-K**

Please always indicate ØLK, ØB and ØA.

<sup>1</sup> The maximum working pressure PN (bar/PSI) applies only to the flange itself. The actual maximum working pressure depends on the thickness and the quality of the tube used.



### 4-Hole Flange with Male BSPP Thread and 60° Conical Bore (acc. to BS 5200) Type GP-LK-B



| PN <sup>1</sup><br>(bar/PSI) | Dimensions<br>(mm/in) |     |     |      |      |     |          |      | Weight<br>(kg/lbs) ca.<br>per 100 | Bolts<br>Metric | O-ring     | Ordering Codes     |
|------------------------------|-----------------------|-----|-----|------|------|-----|----------|------|-----------------------------------|-----------------|------------|--------------------|
|                              | ØLK                   | ØA  | D   | ØD   | L    | M   | T (BSPP) | ØK   |                                   |                 |            |                    |
| 250                          | 30                    | 14  | 10  | 45   | 55   | 15  | 1/2 (08) | 6,5  | 17,1                              | M6x20           | 18,77x1,78 | GP-LK30-B08-W129-K |
| 3625                         | 1.18                  | .55 | .39 | 1.77 | 2.17 | .59 |          | .26  | 37.62                             |                 |            |                    |
| 250                          | 40                    | 19  | 12  | 58   | 60   | 16  | 3/4 (12) | 8,5  | 33,8                              | M8x25           | 25,12x1,78 | GP-LK40-B12-W129-K |
| 3625                         | 1.57                  | .75 | .47 | 2.28 | 2.36 | .63 |          | .33  | 74.36                             |                 |            |                    |
| 250                          | 51                    | 24  | 16  | 76   | 72   | 19  | 1 (16)   | 10,5 | 71,3                              | M10x35          | 31,42x2,62 | GP-LK51-B16-W129-K |
| 3625                         | 2.01                  | .94 | .63 | 2.99 | 2.83 | .75 |          | .41  | 156.86                            |                 |            |                    |
| 250                          | 56                    | 24  | 16  | 76   | 72   | 19  | 1 (16)   | 10,5 | 71,5                              | M10x35          | 31,42x2,62 | GP-LK56-B16-W129-K |
| 3625                         | 2.20                  | .94 | .63 | 2.99 | 2.83 | .75 |          | .41  | 157.30                            |                 |            |                    |

**F**

<sup>1</sup> The maximum working pressure PN (bar/PSI) applies only to the flange itself. The actual maximum working pressure depends on the thickness and the quality of the tube used.

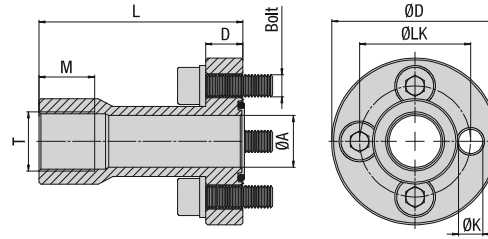
#### Materials / Ordering Options / Examples

\* Kit with 4-Hole Flange made of Steel S355J0 or equivalent, zinc-plated and thick-film-passivated GP-LK...-B\*\*-W129-K including Metric bolts 8.8, spring rings, O-ring made of NBR (Buna-N®)

Please always indicate ØLK and Thread Size.



### 4-Hole Flange with Female BSPP Thread Type GP-LK-G



| PN <sup>1</sup><br>( <sup>bar</sup> / <sub>PSI</sub> ) | Dimensions<br>( <sup>mm</sup> / <sub>in</sub> ) |      |     |      |      |     |          |      | Weight<br>( <sup>kg</sup> / <sub>lbs</sub> ) ca.<br>per 100 | Bolts<br>Metric | O-ring     | Ordering Codes     |
|--|---|------|-----|------|------|-----|----------|------|---|-----------------|------------|--------------------|
|  | ØLK   | ØA   | D   | ØD   | L    | M   | T (BSPP) | ØK   |   |                 |            |                    |
| 8.8  | ØLK   | ØA   | D   | ØD   | L    | M   | T (BSPP) | ØK   |   |                 |            |                    |
| 250  | 30  | 14   | 10  | 45   | 55   | 15  | 3/8 (06) | 6,5  | 18,7  | M6x20           | 18,77x1,78 | GP-LK30-G06-W129-K |
| 3625   | 1.18  | .55  | .39 | 1.77 | 2.17 | .59 | 1/2 (08) | .26  | 41.14   | M8x25           | 25,12x1,78 | GP-LK40-G08-W129-K |
| 250  | 40  | 19   | 12  | 58   | 60   | 16  |          | 8,5  | 35,4  |                 |            |                    |
| 3625   | 1.57  | .75  | .47 | 2.28 | 2.36 | .63 | 3/4 (12) | .33  | 77.88   | M10x35          | 31,42x2,62 | GP-LK51-G12-W129-K |
| 250  | 51  | 24,5 | 16  | 76   | 72   | 19  |          | 10,5 | 74,1  |                 |            |                    |
| 3625   | 2.01  | .96  | .63 | 2.99 | 2.83 | .75 | 3/4 (12) | .41  | 163.02  | M10x35          | 31,42x2,62 | GP-LK56-G12-W129-K |
| 250  | 56  | 24,5 | 16  | 76   | 72   | 19  |          | 10,5 | 74,3  |                 |            |                    |
| 3625   | 2.20  | .96  | .63 | 2.99 | 2.83 | .75 |          | .41  | 163.46  |                 |            |                    |

F

#### Materials / Ordering Options / Examples

\* Kit with 4-Hole Flange made of Steel S355J0 or equivalent, zinc-plated and thick-film-passivated **GP-LK...-G\*\*-W129-K** including Metric bolts 8.8, spring rings, O-ring made of NBR (Buna-N®)

Please always indicate ØLK and Thread Size.

<sup>1</sup> The maximum working pressure PN (bar/PSI) applies only to the flange itself. The actual maximum working pressure depends on the thickness and the quality of the tube used.

