



PRESSURE INVERTER

86199
86200

Part No. 86199 - 60 ÷ 300 bar max Work pressure
Part No. 86200 - 70 ÷ 200 bar max Work pressure

OPERATING SEQUENCE

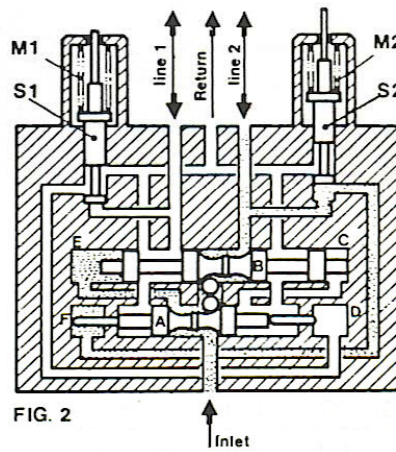
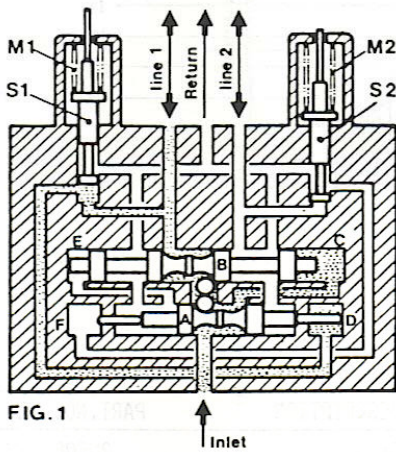
OIL FLOWING FROM PUMP THROUGH CENTER SECTION OF PLUNGER A (FIG.1) ENTERS CHAMBER C AND IS FORCED INTO LINE 1. PLUNGER B IS HELD TO LEFT BY OIL PRESSURE.

AS ENOUGH PRESSURE BUILDS UP TO OFFSET RESISTANCE OF SPRING M1, PLUNGER S1 IN SEQUENCE VALVE RISES, ALLOWING OIL TO FLOW INTO CHAMBER D.

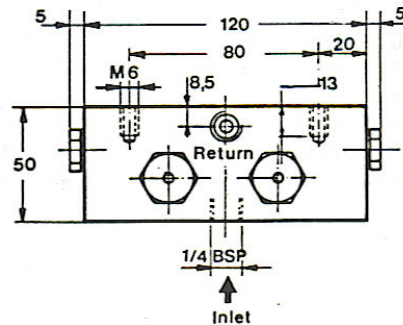
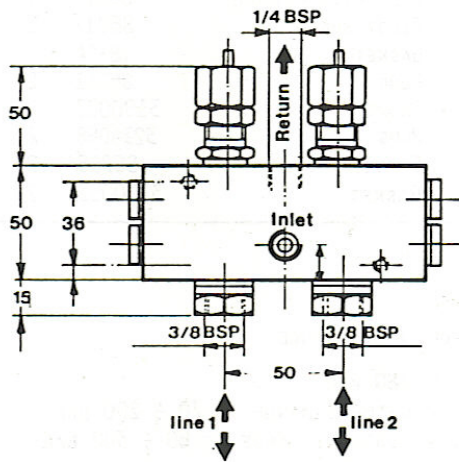
PLUNGER A MOVES TO LEFT, AND OIL IS FORCED INTO CHAMBER E.

PLUNGER B MOVES TO RIGHT (FIG.2) AND OIL IS FORCED INTO LINE 2, WHILE LINE 1 IS RELIEVED (RETURN FLOW).

AS ENOUGH PRESSURE BUILDS UP IN LINE 2 TO OFFSET RESISTANCE OF SPRING M2, OIL IS FORCED INTO CHAMBERS C AND F, PLUNGERS A AND B REVERSE THEIR POSITIONS, AND OIL IS AGAIN DELIVERED TO LINE 1. APPROPRIATE REVERSAL PRESSURES CAN BE OBTAINED BY ADJUSTING LOAD SETTINGS OF SPRINGS M1, M2.



WEIGHT: 2.5 KG

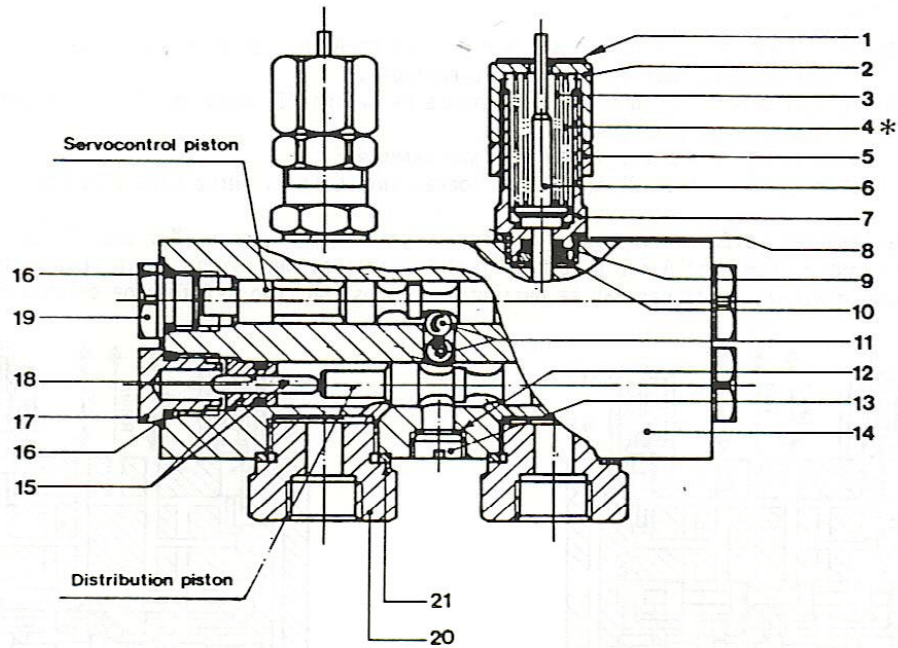


86199
- 86200

PRESSURE INVERTER



Part No. 86199 - 60 ÷ 300 bar max Work pressure
Part No. 86200 - 70 ÷ 200 bar max Work pressure



PQS.	DESCRIPTION	PART.NO.	Q.TY
1	PLATE	265183	2
2	ADJUSTING NUT	156024	2
3	SPRING	156028	2
* 4	SPRING	156027	2
	SPRING	3191180	2
5	NUT	156025	2
6	STEM	156026	2
7	VALVE BODY	156023	2
8	GASKET	156029	2
9	GASKET	18804	2
10	WASHER	156034	2

POS.	DESCRIPTION	PART.NO.	Q.TY
11	BALL	20506	2
12	GASKET	3190111	1
13	GRUB SCREW	622006	1
14	BODY WITH PISTONS	86214	1
15	PILOT SHAFT	86217	2
16	GASKET	18814	4
17	PLUG	86211	2
18	GASKET	3190083	2
19	PLUG	3234058	2
20	FITTING	86215	2
21	GASKET	3190093	2

NOTE: PAY ATTENTION TO THE PISTONS MOUNTING POSITION BEFORE MAINTENANCE

WITH SPRING PART. No.156028 THE ADJUSTMENT RANGE IS 30 ÷ 80 BAR

WITH SPRINGS PART. No.156027 AND PART. No.156028 THE ADJUSTMENT RANGE IS 70 ÷ 200 BAR

WITH SPRINGS PART. No.156028 AND PART. No 3191180 THE ADJUSTMENT RANGE IS 60 ÷ 300 BAR