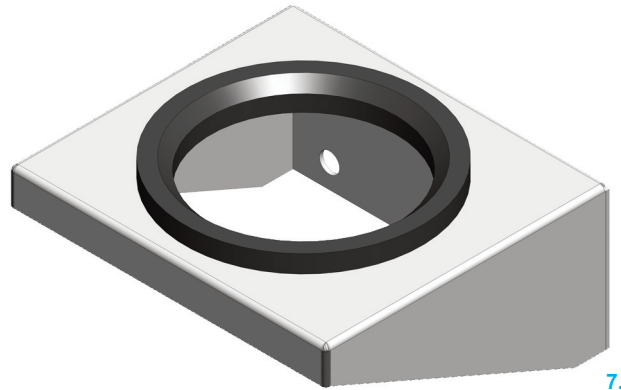


7.2.1 DESCRIPTION

Brackets can be used with all type of accumulators. Secure design provides independent mounting on installations.

Rubber insert provided to reduce mechanical vibration, to compensate for shell manufacturing tolerances and to not lie with outward stresses on the connection.

The brackets can be easily bolted to the system. We recommend using a bracket and support ring with one or two clamps or U-bolts.



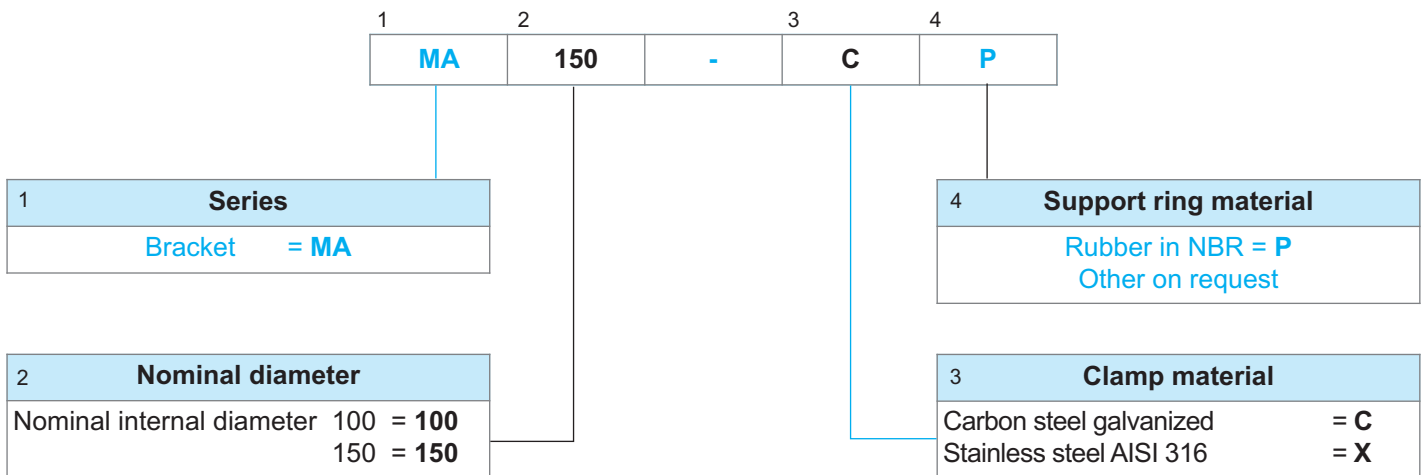
7.2a

7.2.2 CONSTRUCTION

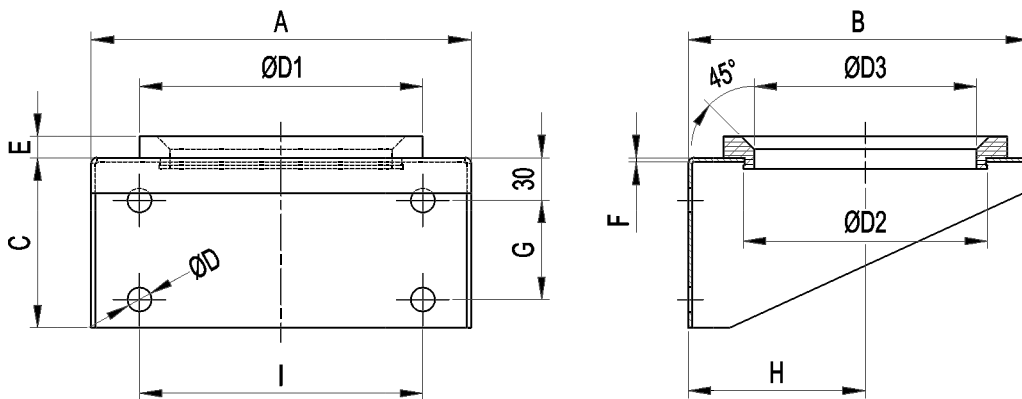
All the brackets are manufactured of galvanized carbon steel in compliance to directive 2002/95/CE (RoHS) for resist to the corrosion, on request they can be supplied in stainless steel version.

The support ring is manufactured of black NBR rubber nitrile at 85 Shore A.

7.2.3 BRACKET ORDER CODE



7.2.4 BRACKET DIMENSIONS



7.2b

Bracket nominal size	A	B	C	ØD	ØD1	ØD2	ØD3	E	F	G	H	I	Weight (Kg)
100	200	175	90	11	140	120	90	10	3	40	96	140	1,5
150	260	232	120	17	200	170	150	15	3	70	125	200	3,6

7.2c

7.2.5 SUPPORT RING ORDER CODE

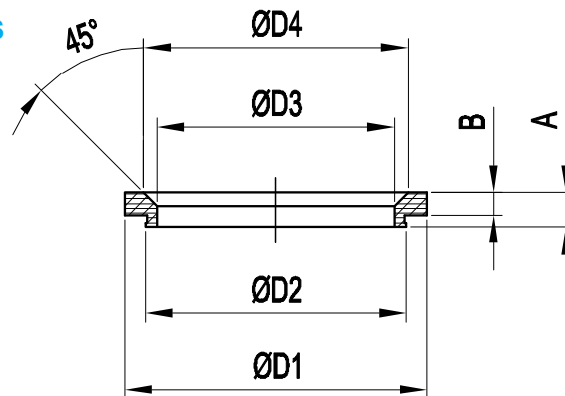


1	Series
	Support ring = AG

2	Nominal diameter
	Nominal internal diameter 100 = 100 150 = 150

3	Support ring material
	Rubber in NBR = P Other on request

7.2.6 SUPPORT RING DIMENSIONS



7.2e

Support Ring nominal size	A	B	ØD1	ØD2	ØD3	ØD4	Weight (Kg)
100	18	10	140	120	90	112	0,13
150	23	15	200	170	150	175	0,22

7.2f

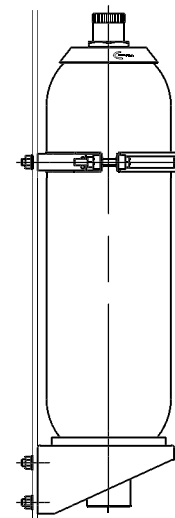
7.2.7 USAGE TABLE

Bracket nominal size	Supporting ring nominal size	Bladder accumulator type	Additional bottle type
100	100	AS / ASP 5 ASL / AST 5 ASB 1.5 - 3 ASBL / ASBT 1.5 - 3 ASA 1	ASS 5 ASSA 1
150	150	AS / ASP 10 + 55 ASL / AST 10 + 55 ASB 10 + 55 ASBL / ASBT 10 + 55 ASA 2.5 + 15	B 52-75 ASS 10 + 55 ASSA 2.5 + 15 AB */** 180

7.2g

7.2.8 MOUNTING

Example for mounting.



7.2h

Reproduction Is Forbidden.

In The Spirit Of Continuous Improvement, Our Products May Be Changed.