

DBD DIRECT OPERATED PRESSURE RELIEF VALVES

DBD series relief valves are direct operated poppet type used to limit pressure in a hydraulic system. The design can be divided into poppet (Max.400bar) and ball (Max.630bar) type. There are 7 pressure adjustment ranges available 25; 50; 100; 200; 315; 400; 630bar. It has characteristics of compact structure, high performance, reliable work, low noise and long service life. These series are widely applied to many lower flow systems, can be also used as relief valve and remote control valve, etc.



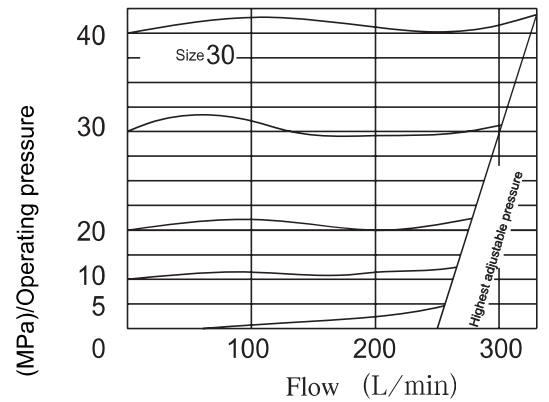
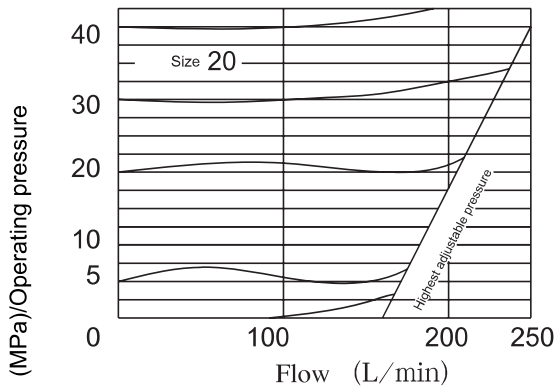
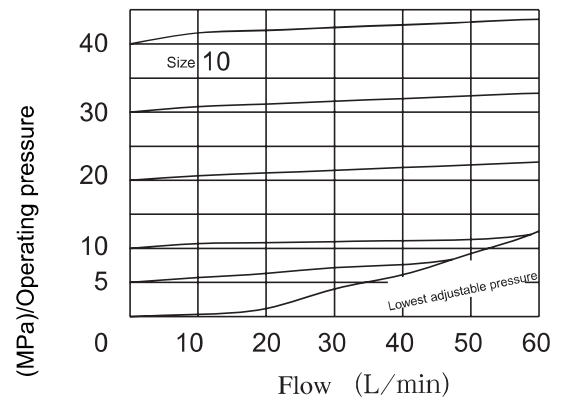
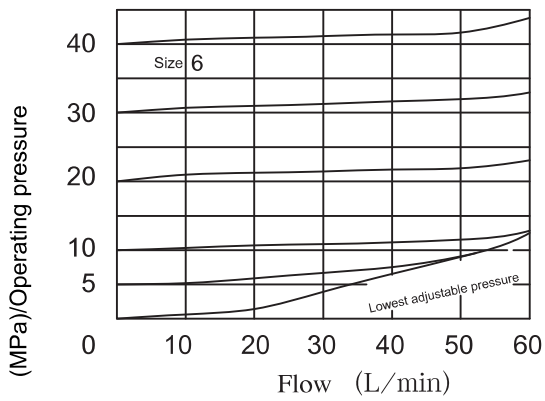
Technical data

Size	6	8	10	15	20	25	30
Operating pressure(Mpa)	31.5						
Max. flow rate (L/min)	35	60	80	150	200	250	300
Fluid temperature (°C)	-20~70						
Filtration accuracy (µm)	25						

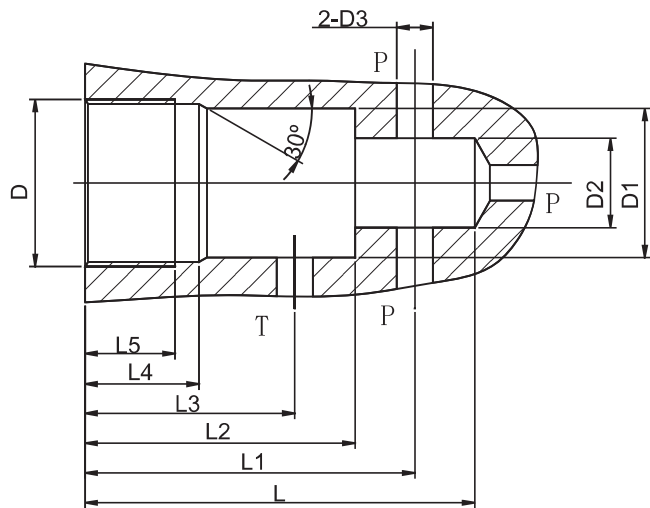
DBD S 6 K 10 / 10 / 2 / V

<p>Direct operated</p> <p>S=Adjustable screw and protective cap H= Handwheel A=Lockable handknob(Only available for 6;8;10)</p> <p>Size 6(8)10(15)20(25)30</p> <p>K=Plug-in mounting G=Threaded connection P=Subplate mounting</p>	<p style="text-align: right;">No code=NBR seals for petroleum oils V=FPM seals for phosphate ester</p> <p style="text-align: right;">No code=Inch thread; 2=metric</p> <p style="text-align: right;">Pressure range(MPa): 2.5; 5; 10; 20; 31.5; 40; 63</p> <p style="text-align: right;">Series No. 10 series(Pressure class: 2.5~40MPa) Series No. 11 series(Pressure class: 63 MPa)*</p>
---	---


Operating Curves



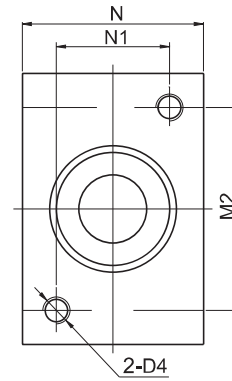
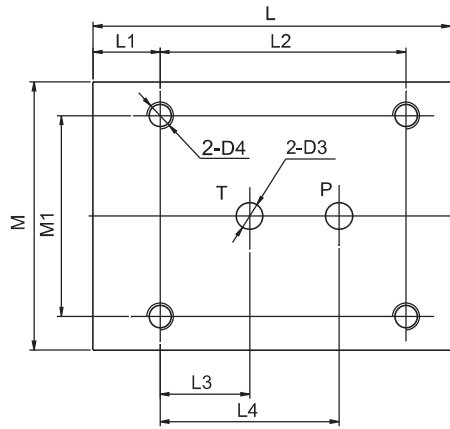
DBD*K Dimensions for cartridge



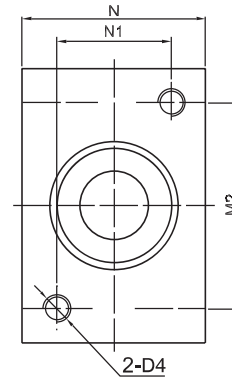
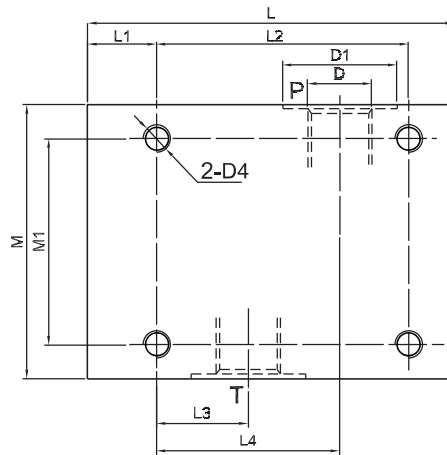
Size	D	D1	D2	D3	L	L1	L2	L3	L4	L5
6	M28x1.5	25H8	15	6	65	56.5±1	45	35	19	15
10	M35x1.5	32H8	18.5	10	80	67.5±1	52	41	23	18
20	M45x1.5	40H8	24	20	110	91.5±1	70	54	27	21
30	M60x2	55H8	38.75	30	140	113.5±1	84	60	29	23

 Installation dimensions

DBD*P



DBD*G



Size	L	L1	L2	L3	L4	M	M1	N	N1
6	80	15	55	20	40	60	45	45	25
(8)10	100	20	70	21	49	80	60	60	40
(15)20	135	20	100	34	65	100	70	70	50
(25)30	180	25	130	35	85	130	100	90	60

D		D1	D2	D3	D4
Inch	Metric				
G 1/4"	M14x1.5	25	M6	6	M6
(G 3/8")G1/2"	(M18x1.5) M22x1.5	(28)34	M8	(8)10	M8
(G 3/4")G1"	(M27x2) M33x2	(42)47	M8	(15)20	M8
(G1 1/4") G1 1/2"	(M42x2) M48x2	(56)61	M10	(25)30	M10