

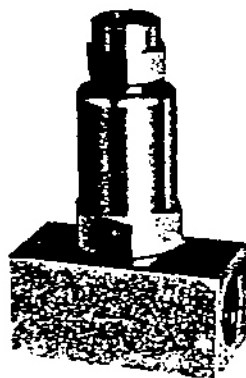


NON-RETURN VALVE - OPERATING INSTRUCTIONS

ADJUSTMENT: 0 TO 30 BAR

3089204

SYMBOL



OPENING PRESSURE ADJUSTMENT RANGE: 0 TO 30 BAR.
 TO INCREASE PRESSURE SETTING, TURN SCREW "X" IN A
 CLOCKWISE DIRECTION (1 TURN = APPROX. 4 BAR).

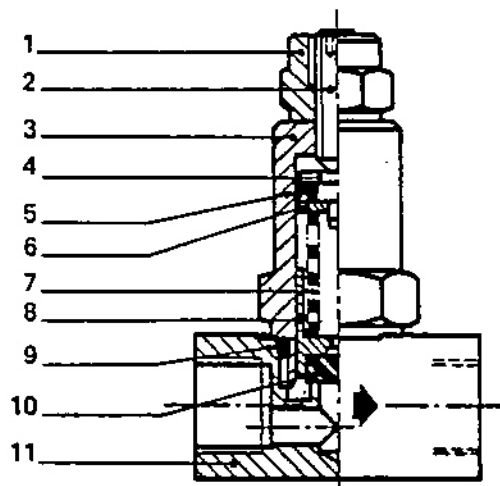
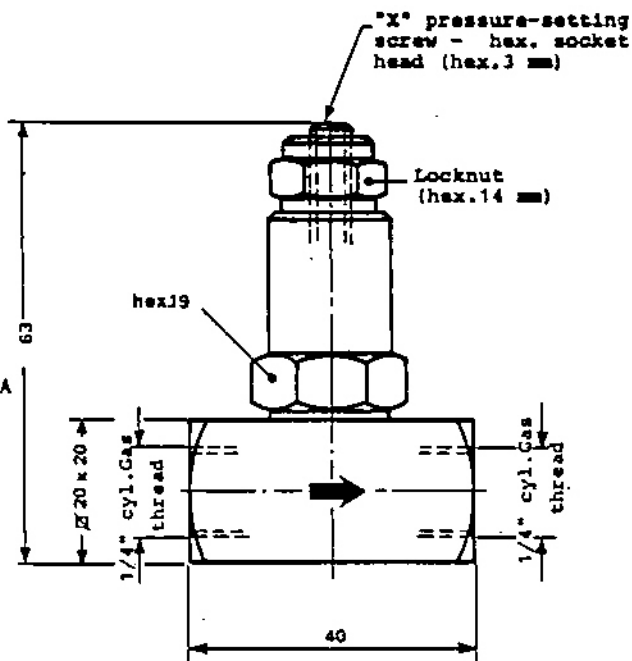
GALVANIZED STEEL CONSTRUCTION.

5-MM DIA. PORT.

ELASTOMERIC-PLASTIC SEAL PLATE.

FITTINGS: 1/4" CYL. GAS THREAD.

APPROX. WEIGHT: 160 GR



POS.	DESCRIPTION	PART. NO.	Q. TY
1	NUT, DOWEL LOCKING	3235127	1
2	SCREW	15820	1
3	CAP, VALVE	3042997	1
4	PLATE	3016107	1
5	GASKET	3190112	1
6	WASHER	3233144	1
7	SPRING	3191167	1
8	VALVE	3096154	1
9	GASKET	3190198	1
10	GASKET	61104	1
11	BODY, NON-RETURN VALVE	3072013	1