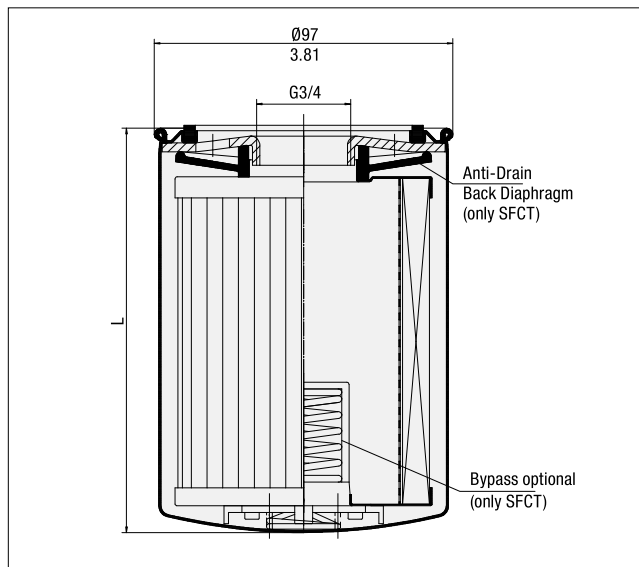


## Spin-On Elements ■ Type SFC-35 / 36 and SFCT-35 / 36



Dimensions in mm / in


**Product Description**

STAUFF SFC-35/36 series Spin-On Elements are used with the STAUFF SSF-12 Spin-On Filters with G3/4 threaded ports.

STAUFF SFCT-35/36 series Spin-On Elements have an internal 1,7 bar / 25 PSI bypass and anti-drain back diaphragm for use with STAUFF SSF-12 Tank Top Spin-On Filters.

**Technical Data**
**Connection Thread**

- G3/4

**Operating Pressure**

- Max. 12 bar / 174 PSI

**Burst Pressure**

- Min. 20 bar / 290 PSI

**Temperature Range**

- -32 °C ... +100 °C / -25 °F ... +212 °F

**Seal Contour**

- Type A (see page C123)

**Differential Pressure**

- Paper: Max. 5 bar / 72.5 PSI  
Glass Fibre / Wire Mesh: Max. 10 bar / 145 PSI  
(for any application with no bypass valve)

**Bypass Pressure**

- 1,7 bar / 25 PSI (only SFCT-series)

**Media Compatibility**

- Mineral oils, other fluids on request

**Sealing Material**

- NBR (Buna-N®)

**Dimensions**

Order Code	Filter Paper				Inorganic Glass Fibre					
	Element without bypass valve	SFC-3510E	SFC-3610E	SFC-3525E	SFC-3625E	SFC-3503AE	SFC-3603AE	SFC-3510AE	SFC-3610AE	SFC-3525AE
Element with bypass valve	SFCT-3510E	SFCT-3610E	SFCT-3525E	SFCT-3625E			SFCT-3510AE	SFCT-3610AE	SFCT-3525AE	SFCT-3625AE
Length L (mm/in)	145 5.7	210 8.27	145 5.7	210 8.27	145 5.7	210 8.27	145 5.7	210 8.27	145 5.7	210 8.27
β-Ratio	$\beta_{10} \geq 2$	$\beta_{10} \geq 2$	$\beta_{25} \geq 2$	$\beta_{25} \geq 2$	$\beta_3 \geq 200$	$\beta_3 \geq 200$	$\beta_{10} \geq 200$	$\beta_{10} \geq 200$	$\beta_{25} \geq 200$	$\beta_{25} \geq 200$
Carton Quantity	1	1	1	1	1	1	1	1	1	1
Carton Weight (kg/lbs)	0,9 2	1,3 2,6	0,9 2	1,3 2,6	0,9 2	1,3 2,6	0,9 2	1,3 2,6	0,9 2	1,3 2,6

Order Code	Wire Mesh		Brass Mesh	
	Element without bypass valve	SFC-3560E	SFC-3660E	SFC-35125E
Element with bypass valve	SFCT-3560E	SFCT-3660E	SFCT-35125E	SFCT-36125E
Length L (mm/in)	145 5.7	210 8.27	145 5.7	210 8.27
β-Ratio	n/a	n/a	n/a	n/a
Carton Quantity	1	1	1	1
Carton Weight (kg/lbs)	0,9 2	1,3 2,6	0,9 2	1,3 2,6

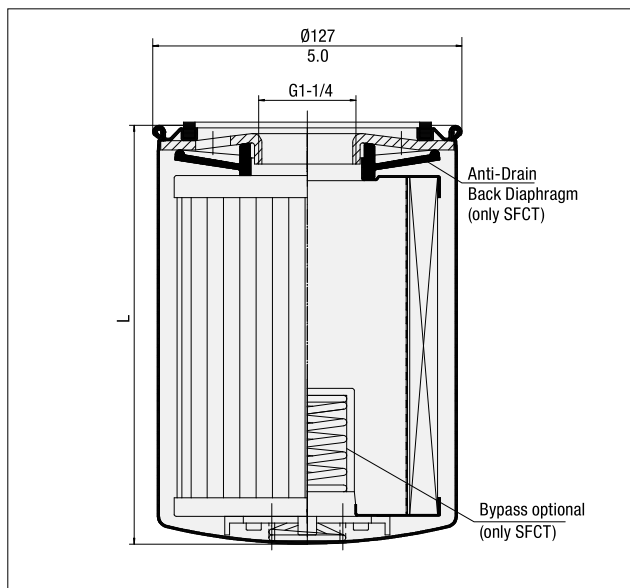
## Spin-On Elements ■ Type SFC-57 / 58 and SFCT-57 / 58



## Product Description

STAUFF Spin-On Filter Elements of the SFC-/SFCT-57/58 series are used with the STAUFF SSF-20/24/25/100/120/130 and 160 series Spin-On Filters with G1-1/4 threaded ports.

STAUFF SFCT-57/58 series Spin-On Elements have an internal 1,7 bar / 25 PSI bypass and anti-drain back diaphragm for use with STAUFF SSFT-20 Tank Top Spin-On Filters.



Dimensions in mm / in

## Technical Data

## Connection Thread

- G1-1/4

## Operating Pressure

- Max. 12 bar / 174 PSI

## Burst Pressure

- Min. 17 bar / 247 PSI

## Temperature Range

- -32 °C ... +100 °C / -25 °F ... +212 °F

## Seal Contour

- Type A (see page C123)

## Differential Pressure

- Paper: Max. 5 bar / 72.5 PSI  
Glass Fibre / Wire Mesh: Max. 10 bar / 145 PSI  
(for any application with no bypass valve)

## Bypass Pressure

- 1,7 bar / 25 PSI  
(only SFCT-series)

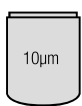


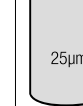
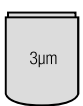


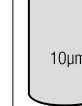
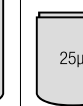
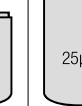
## Media Compatibility

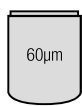
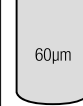
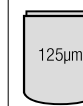

- Mineral oils, other fluids on request

## Sealing Material

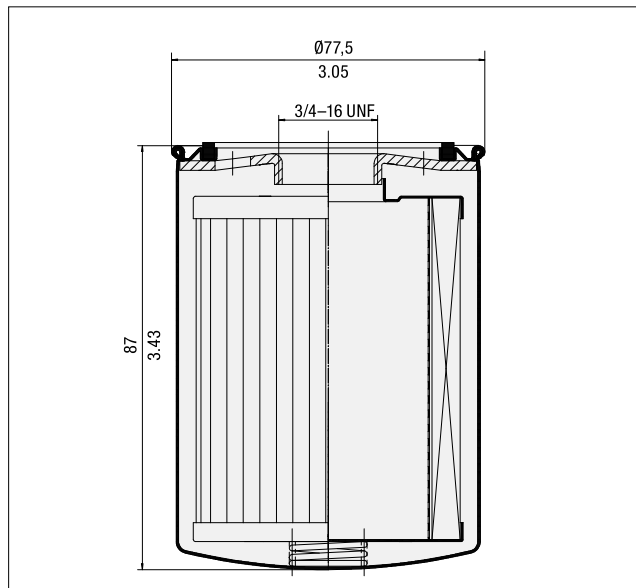
- NBR (Buna-N®)

## Dimensions

Order Code	Filter Paper				Inorganic Glass Fibre					
	Element without bypass valve	SFC-5710E	SFC-5810E	SFC-5725E	SFC-5825E	SFC-5703AE	SFC-5803AE	SFC-5710AE	SFC-5810AE	SFC-5725AE
Element with bypass valve	SFCT-5710E	SFCT-5810E	SFCT-5725E	SFCT-5825E	SFCT-5703AE	SFCT-5803AE	SFCT-5710AE	SFCT-5810AE	SFCT-5725AE	SFCT-5825AE
										
Length L (mm/in)	177 6.97	226 8.9	177 6.97	226 8.9	177 6.97	226 8.9	177 6.97	226 8.9	177 6.97	226 8.9
β-Ratio	$\beta_{10} \geq 2$	$\beta_{10} \geq 2$	$\beta_{25} \geq 2$	$\beta_{25} \geq 2$	$\beta_3 \geq 200$	$\beta_3 \geq 200$	$\beta_{10} \geq 200$	$\beta_{10} \geq 200$	$\beta_{25} \geq 200$	$\beta_{25} \geq 200$
Carton Quantity	1	1	1	1	1	1	1	1	1	1
Carton Weight (kg/lbs)	1,4 3	1,85 4	1,4 3	1,85 4	1,4 3	1,85 4	1,4 3	1,85 4	1,4 3	1,85 4

Order Code	Wire Mesh		Brass Mesh	
	Element without bypass valve	SFC-5760E	SFC-5860E	SFC-57125E
Element with bypass valve	SFCT-5760E	SFCT-5860E	SFCT-57125E	SFCT-58125E
				
Length L (mm/in)	177 6.97	226 8.9	177 6.97	226 8.9
β-Ratio	n/a	n/a	n/a	n/a
Carton Quantity	1	1	1	1
Carton Weight (kg/lbs)	0,9 2	1,3 2.6	0,9 2	1,3 2.6

## Spin-On Elements ■ Type SF63



Dimensions in mm / in


**Product Description**

STAUFF SF63-series Spin-On Elements are used with the STAUFF SLF Spin-On Filters.

**Technical Data**
**Connection Thread**

- 3/4-16 UNF

**Seal Contour**

- Type A (see page C123)

**Sealing Material**

- NBR (Buna-N®)

**Operating Pressure**

- Max. 14 bar / 200 PSI

**Differential Pressure**

- Max. 5,5 bar / 80 PSI  
(for any application with no bypass valve)

**Burst Pressure**

- Min. 20 bar / 290 PSI

**Bypass Pressure**

- SF6310-18 1,24 bar / 18 PSI
- SF6325-10 0,70 bar / 10 PSI

**Temperature Range**

- -32 °C ... +100 °C / -25 °F ... +212 °F

**Media Compatibility**

- Mineral oils, other fluids on request

**Dimensions**

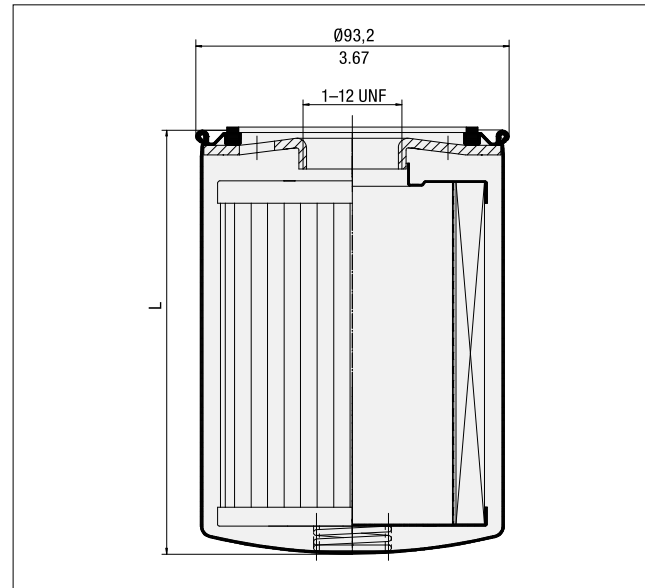
Order Code	Filter Paper	
	SF6310-18	SF6325-10
<b>β-Ratio</b>	$\beta_{10} \geq 2$	$\beta_{25} \geq 2$
<b>Dirt Holding Capacity (g)</b>	6	6
<b>Carton Quantity</b>	12	12
<b>Carton Weight (kg/lbs)</b>	3,6	3,6
	8	8

## Spin-On Elements ■ Type SF65



## Product Description

STAUFF SF65-series Spin-On Elements are used with the STAUFF SAF series Spin-On Filters.



Dimensions in mm / in

## Technical Data

## Connection Thread

- 1-12 UNF

## Sealing Material

- NBR (Buna-N®)

## Differential Pressure

- Max. 5,5 bar / 80 PSI  
(for any application with no bypass valve)

## Temperature Range

- -32 °C ... +100 °C / -25 °F ... +212 °F

## Seal Contour

- Type A (see page C123)

## Operating Pressure

- Max. 14 bar / 200 PSI
- SF6520-W: Max. 7 bar / 101.5 PSI








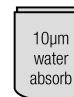
## Burst Pressure

- Min. 20 bar / 290 PSI

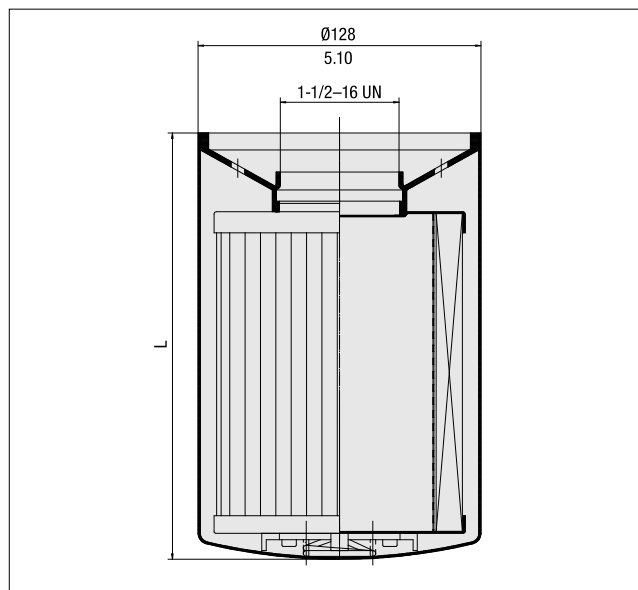
## Media Compatibility

- Mineral oils, other fluids on request

## Dimensions

Order Code	Filter Paper				Inorganic Glass Fibre			Water Absorbing
	SF6520	SF6521	SF6510	SF6511	SF6549	SF6505	SF6504	SF6520-W
								
Length L (mm/in)	147 5.76	204 8.00	147 5.76	204 8.00	147 5.76	147 5.76	147 5.76	133 5.25
β-Ratio	$\beta_{10} \geq 2$	$\beta_{10} \geq 2$	$\beta_{25} \geq 2$	$\beta_{25} \geq 2$	$\beta_3 \geq 200$	$\beta_{12} \geq 200$	$\beta_{25} \geq 200$	$\beta_{10} \geq 2$
Dirt Holding Capacity ACFTD (g)	14.4	22	20.4	31.2	19	11	26	Water holding capacity 162 ml 5.5 oz
Carton Quantity	12	12	12	12	12	12	12	12
Carton Weight (kg/lbs)	6,3 13.9	8,4 18.5	6,4 14.2	8,8 19.4	8,6 19	8,6 19	8,6 19	8,6 19

## Spin-On Elements ■ Type SF67



Dimensions in mm / in


**Product Description**

STAUFF SF67-series Spin-On Elements are used with the STAUFF SSF20/24/25/100/120/130/160/150 and 180 Spin-On Filters.

**Technical Data**
**Connection Thread**

- 1-1/2-16 UN

**Sealing Material**

- NBR (Buna-N®)

**Differential Pressure**

- Max. 5,5 bar / 80 PSI  
(for any application with no bypass valve)

**Temperature Range**

- -32 °C ... +100 °C / -25 °F ... +212 °F

**Seal Contour**

- Type B (see page C123)

**Operating Pressure**

- Max. 14 bar / 200 PSI
- SF6721-W: Max. 7 bar / 101.5 PSI

**Burst Pressure**

- Min. 20 bar / 290 PSI

**Media Compatibility**

- Mineral oils, other fluids on request

**Dimensions**

Order Code	Inorganic Glass Fibre								
	SF6702-MG	SF6703-MG	SF6704-MG	SF6706-MG	SF6707-MG	SF6730-MG	SF6731-MG	SF6728-MG	SF6726-MG
Length L (mm/in)	270 10.6	168 6.6	270 10.6	168 6.6	270 10.6	168 6.6	270 10.6	168 6.6	270 10.6
β-Ratio	β <sub>1</sub> ≥ 200	β <sub>3</sub> ≥ 200	β <sub>3</sub> ≥ 200	β <sub>6</sub> ≥ 200	β <sub>6</sub> ≥ 200	β <sub>12</sub> ≥ 200	β <sub>12</sub> ≥ 200	β <sub>25</sub> ≥ 200	β <sub>25</sub> ≥ 200
Dirt Holding Capacity ACFTD (g)	30	31	47	35	54	38	59	50	76
Carton Quantity	6	6	6	6	6	6	6	6	6
Carton Weight (kg/lbs)	11,8 26.1	8,2 18	11,8 26.1	8,2 18	11,8 26.1	8,2 18	11,8 26.1	8,2 18	11,8 26.1

Order Code	Filter Paper				Stainless Wire Mesh		Water Absorbing
	SF6720	SF6721	SF6710	SF6711	SF6790	SF6791	SF6721-W
Length L (mm/in)	168 6.6	270 10.6	168 6.6	270 10.6	168 6.6	270 10.6	270 10.6
β-Ratio	β <sub>10</sub> ≥ 2	β <sub>10</sub> ≥ 2	β <sub>25</sub> ≥ 2	β <sub>25</sub> ≥ 2	n/a	n/a	β <sub>10</sub> ≥ 2
Dirt Holding Capacity ACFTD (g)	34	62	34	62	n/a	n/a	Water holding capacity 444 ml / 15 oz
Carton Quantity	6	6	6	6	6	6	6
Carton Weight (kg/lbs)	6,6 14.6	7,9 17.5	6,7 14.9	9,3 20.6	8,2 18	11,8 26.1	11,8 26.1

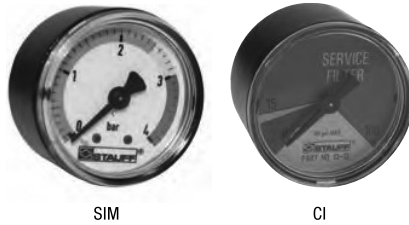
## Clogging Indicators

## Visual Clogging Indicators



SIS

GV



SIM

CI

Visual Vacuum Clogging Indicators (for Spin-On Filter in suction line applications)

	Type	Thread Connection G	Unit of scale	Range of scale	Coloured Segments			Valve setting Spin-On Filter
					Green	Yellow	Red	
BSP	SIS	1/8	cm Hg	-76 ... 0	-13 ... 0	-18 ... -13	-76 ... -18	0,2 bar/ 3 PSI
	GV-5	1/8	in Hg	-30 ... 0	-4 ... 0	-6 ... -4	-30 ... -6	0,2 bar/ 3 PSI
NPT	GV-10	1/8	in Hg	-30 ... 0	-9 ... 0	-11 ... -9	-30 ... -11	0,35 bar/ 5 PSI

Visual Pressure Clogging Indicators (for Spin-On Filter in return line applications)

	Type	Thread Connection G	Unit of scale	Range of scale	Coloured Segments			Valve setting Spin-On Filter
					Green	Yellow	Red	
BSP	SIM-02	1/8	bar	0 ... 2,5	0 ... 1,2	1,2 ... 1,5	1,5 ... 2,5	1,7 bar / 25 PSI
	SIM-04	1/8	bar	0 ... 4	0 ... 2,5	2,5 ... 3	3 ... 4	1,7 bar/ 25 PSI
	SIM-12	1/8	bar	0 ... 12	without coloured segments			1,7 bar/ 25 PSI
NPT	CI-12	1/8	PSI	0 ... 100	0 ... 13	13 ... 15	15 ... 100	1 bar/ 15 PSI
	CI-20	1/8	PSI	0 ... 100	0 ... 21	21 ... 25	25 ... 100	1,7 bar/ 25 PSI

## Electrical Clogging Indicators



SIE-NO/NC

EPS/EVS

Electrical Clogging Indicators (for Spin-On Filter in return line or suction line applications)

	Type	Thread Connection G	Unit of scale	Adjustable range / Actuating pressure	Max. over pressure	Spin-On filter application	Valve setting Spin-On Filter
BSP	SIE-NO	1/8	bar	1,3 (normally open)	80 bar / 1160 PSI	Return line application	1,7 bar / 25 PSI
	SIE-NC	1/8	bar	1,3 (normally closed)	80 bar / 1160 PSI	Return line application	1,7 bar / 25 PSI
	EPS-1B	1/8	bar	0,35 ... 2,5	25 bar / 362 PSI	Return line application	1,7 bar / 25 PSI
	EVS-1B	1/8	mbar	-1000 ... -150	25 bar / 362 PSI	Suction line application	0,2 bar / 3 PSI
NPT	EPS-1	1/8	PSI	5 ... 35	24 bar / 350 PSI	Return line application	1,7 bar / 25 PSI
	EVS-1	1/8	in Hg	-30 ... -5	24 bar / 350 PSI	Suction line application	0,2 bar / 3 PSI

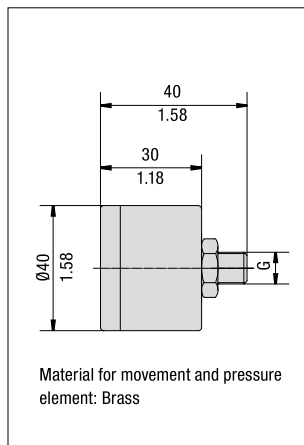
## Technical Data SIE / EPS / EVS

	Type EPS-1 / 1B	Type EVS-1 / 1B
Electrical data	6 Amp 125/250 V AC	
Protection	DIN 43650 IP65	
Temperature Range	-5 °C ... +90 °C / +23 °F ... +194 °F (ambient and media)	
Diaphragm Material	NBR (Buna-N®)	NBR (Buna-N®)
Housing Material	Brass	Steel
Adjustable Range	0,35 bar ... 2,0 bar / 5 ... 30 PSI	150 ... 1000 mbar / 5 ... 30 in Hg
Dead Band	20% F.S.	25% F.S.
Weight	0,1 kg / .22 lbs	0,1 kg / .22 lbs
Repeatability	± 2%	
Hirschmann Connector With Strain Relief		

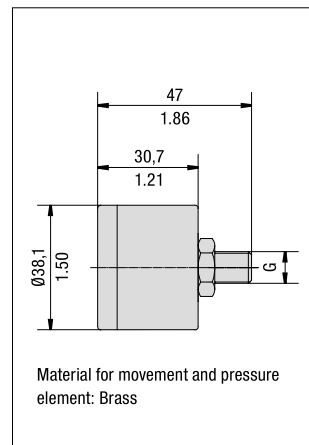
	Type SIE (electrical switch)
Electrical data	48V
Protection	DIN 43650 IP54
Temperature Range	-5 °C ... +60 °C / +23 °F ... +140 °F (ambient and media)
Diaphragm Material	NBR (Buna-N®)
Housing Material	Brass
Actuating Pressure	1,3 bar / 19 PSI
Max. current (res.)	0,5 A
Max. current (ind.)	0,2 A
Available as "normally open" (closes contact at actuating pressure) and as "normally closed" (opens contact at actuating pressure)	

## Dimensions

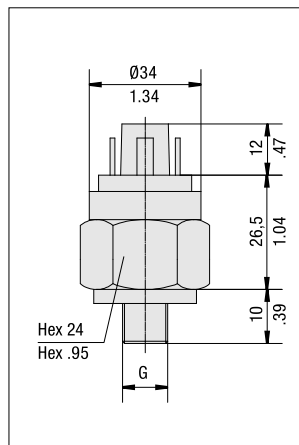
## Type SIM / SIS



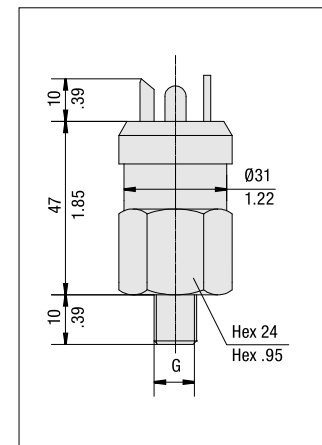
## Type GV / CI



## Type SIE



## Type EPS / EVS



Note: The customer / user carries the responsibility for the electrical connection.