

## Spin-On Filters ■ Introduction



### Product Description

STAUFF provides a complete range of Spin-On filters which can be used either as suction filters or as return line filters for low pressure applications. The various ranges meet international standards. The corresponding STAUFF Filter Elements are available from stock.

### Technical Data

#### Material

- Filter head: Aluminium
- Sealings: NBR (Buna-N®)

#### Port Connection

- BSP
  - NPT
  - SAE Flange
  - SAE O-ring thread
- Other port connections on request

#### Operating Pressure

- Up to 14 bar / 200 PSI

#### Nominal Flow Rate

- Up to 460 l/min / 120 US GPM

### Options and Accessories

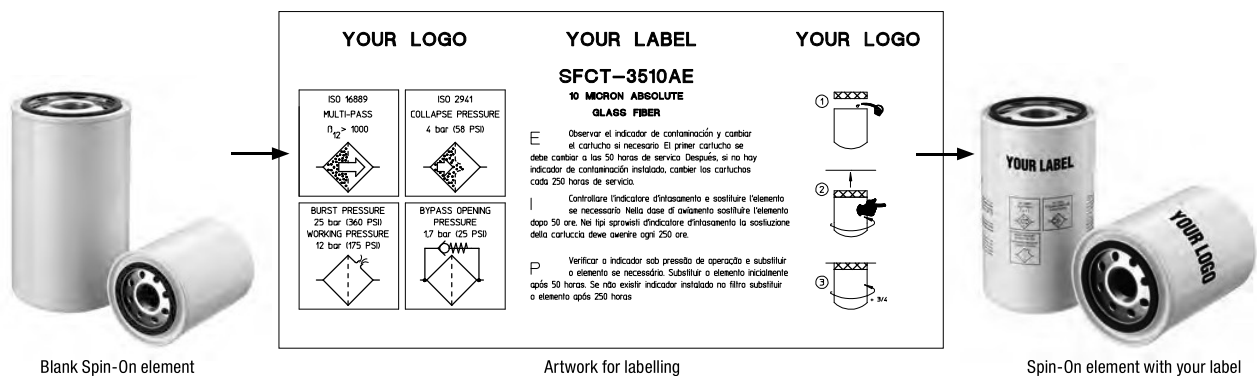
#### Clogging Indicators

- Visual clogging indicator with coloured segments
  - Electrical clogging switch
- Other types available on request

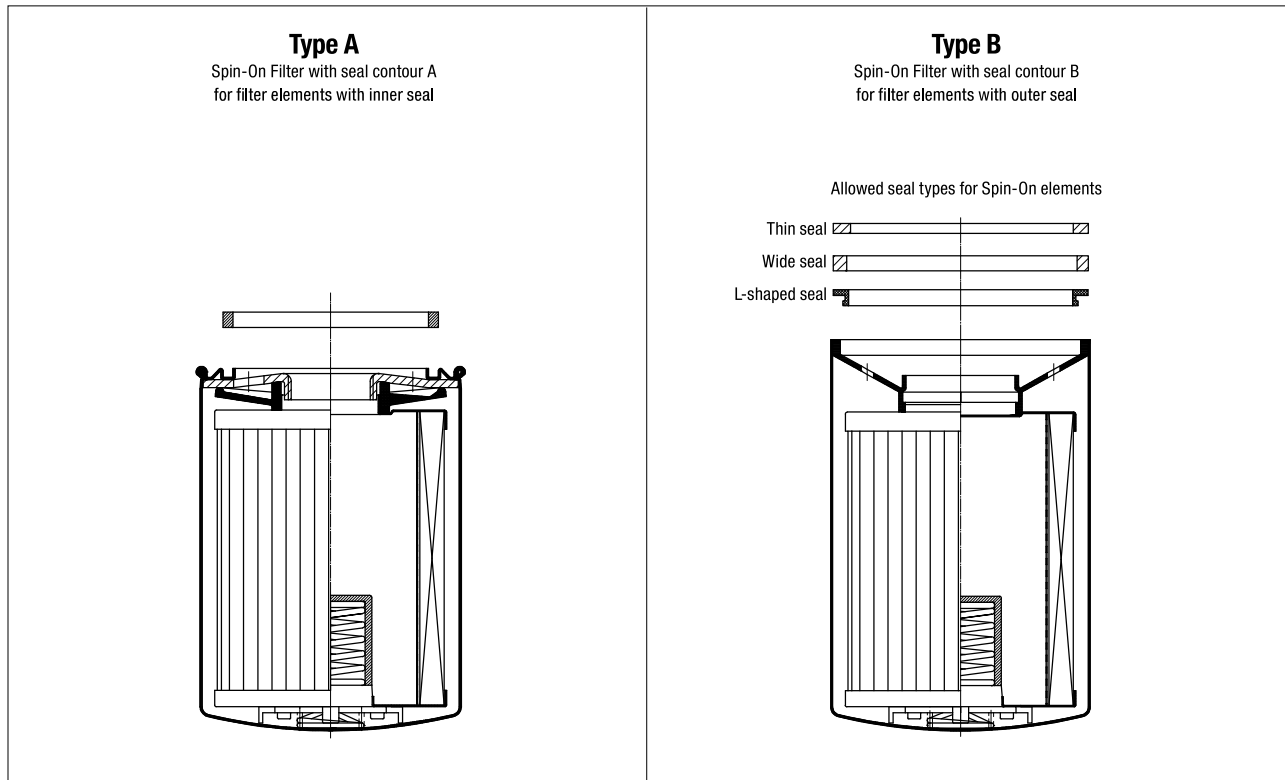
#### Private Labelling

- On request, the filter elements can be printed with a private label

### Private Labeling



## Spin-On Filters - Quick Reference Guide



Spin on Filters Quick Reference Guide															
Spin-On Filter Heads								Spin-On Filter Elements (see page ...)							
Series	Size	Port	Spigot	Max. Flow Rate*		Catalog Page	Seal Contour		SF63	SF65	SF67	SFC-35 SFC-36	SFC-57 SFC-58	SFCT-35 SFCT-36	SFCT-57 SFCT-58
				l/min	US GPM		Type A	Type B							
SLF	02	1/4 NPT	3/4-16 UNF	19	5	C124	x		C141						
SLF	03	3/8 NPT	3/4-16 UNF	19	5	C124	x		C141						
SLF	04	9/16-18 UN	3/4-16 UNF	26	7	C124	x		C141						
SAF	05	1/2 NPT	1-12 UNF	57	15	C125	x		C142						
SAF	06	3/4-16 UN	1-12 UNF	57	15	C125	x		C142						
SAF	07	3/4 NPT	1-12 UNF	90	25	C125	x		C142						
SAF	11	1-1/16-12 UN	1-12 UNF	90	25	C125	x		C142						
SAF	10	1 NPT	1-12 UNF	128	34	C126	x		C142						
SAF	13	1-5/16-12 UN	1-12 UNF	128	34	C126	x		C142						
SSF	12	G3/4	G3/4	90	25	C127	x				C139				
SSF	20L	G1-1/4	G1-1/4 + 1-1/2-16 UN	225	60	C128	x	x		C143		C140			
SSF	100	1 NPT	G1-1/4 + 1-1/2-16 UN	170	45	C129	x	x		C143		C140			
SSF	120L	1-1/4 NPT	G1-1/4 + 1-1/2-16 UN	225	60	C129	x	x		C143		C140			
SSF	120	1-1/4 NPT	G1-1/4 + 1-1/2-16 UN	225	60	C129	x	x		C143		C140			
SSF	130	1-5/16-12 UN	G1-1/4 + 1-1/2-16 UN	225	60	C129	x	x		C143		C140			
SSF	160	1-5/8-12 UN	G1-1/4 + 1-1/2-16 UN	225	60	C129	x	x		C143		C140			
SSF	150	1-1/2 NPT	1-1/2-16 UN	300	80	C130		x		C143					
SSF	180	1-7/8-12 UN	1-1/2-16 UN	300	80	C130		x		C143					
SSF	24B	G1-1/2	G1-1/4 + 1-1/2-16 UN	454	120	C131	x	x		C143		C140			
SSF	24N	1-1/2 NPT	G1-1/4 + 1-1/2-16 UN	454	120	C132	x	x		C143		C140			
SSF	24S	1-7/8-12 UN	G1-1/4 + 1-1/2-16 UN	454	120	C132	x	x		C143		C140			
SSF	25B	G1-1/2 and 1-1/2 SAE Flange	G1-1/4 + 1-1/2-16 UN	454	120	C133	x	x		C143		C140			
SSF	25	1-1/2 NPT and 2 SAE Flange	G1-1/4 + 1-1/2-16 UN	454	120	C134	x	x		C143		C140			
SSFT	12B	G3/4	G3/4	75	20	C135	x	x						C139	
SSFT	12	3/4 NPT	G3/4	75	20	C136	x	x						C139	
SSFT	20B	G1-1/2	G1-1/4 + 1-1/2-16 UN	200	53	C137	x								C140
SSFT	20	1-1/2 NPT	G1-1/4 + 1-1/2-16 UN	200	53	C138	x								C140

\* Note: Reflects nominal flow rate for return line application. Actual flow rate will depend on selected element and the viscosity of the fluid.

## Spin-On Filter Heads ■ SLF-02 / 03 / 04

## Dimensions



## Technical Data

## Construction

- In-line Spin-On filter head

## Material

- Aluminium

## Port Connection

- NPT
- SAE O-ring thread

## Flow Rate

- 26 l/min / 7 US GPM for return line application
- 7 l/min / 2 US GPM for suction line application

## Operating Pressure

- Max. 14 bar / 200 PSI
- Max. 5,5 bar / 80 PSI differential pressure (for any application with no bypass valve)

## Temperature Range

- -32 °C ... +100 °C / -25 °F ... +212 °F

## Media Compatibility

- Mineral oils, other fluids on request

## Options and Accessories

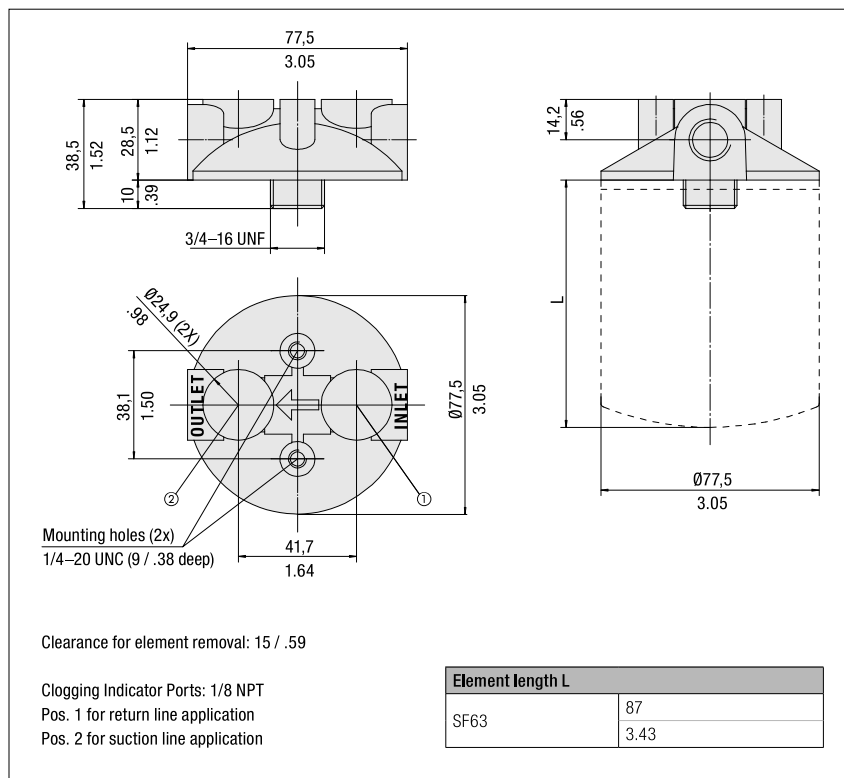


## Filter Elements

- For use with SF63 series elements
- For element types with seal contour type A
- For element types and flow characteristics see page C141
- The element is not part of the scope of delivery

## Clogging Indicators

- Visual clogging indicator with coloured segments
- Electrical clogging switch 0,35 ... 2,5 bar / 5 ... 35 PSI adjustable
- For clogging indicator types see page C147



Dimensions in mm / in

## Order Code

SLF - 02 - 0

1 2 3

## 1 Type

Spin-On Filter Head **SLF**

## 2 Connection Style

Connection	Thread	Code
NPT	1/4	<b>02</b>
NPT	3/8	<b>03</b>
SAE	9/16-18	<b>04</b>

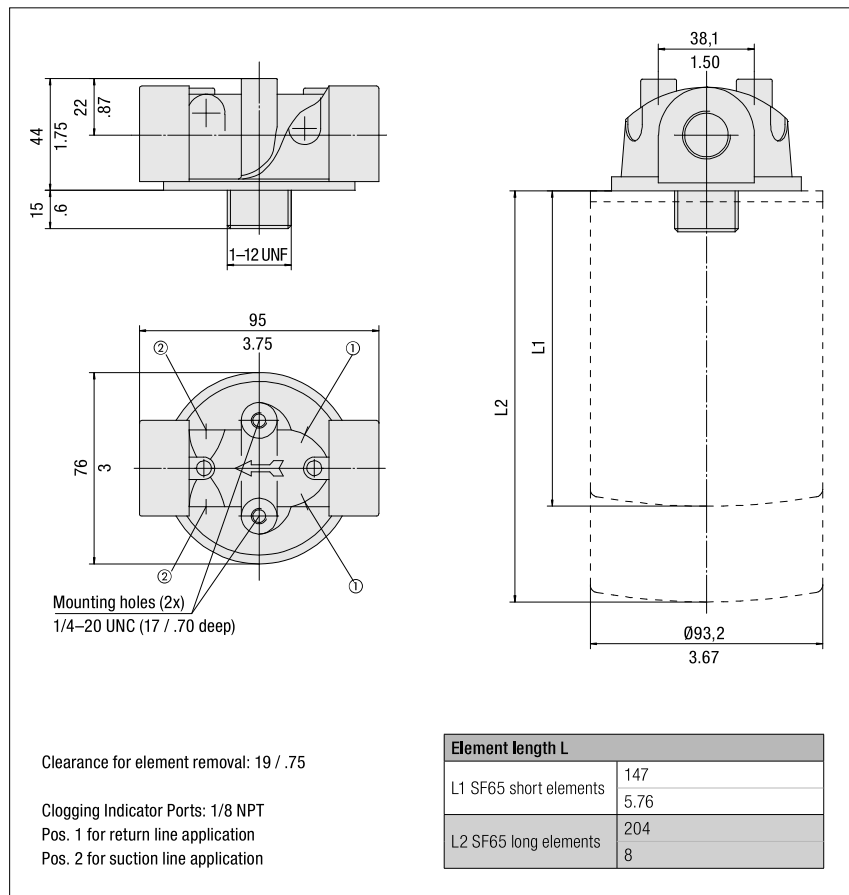
## 3 Clogging Indicator Port Options

No clogging indicator port	<b>0</b>
Clogging indicator port drilled for return line application	<b>1</b>
Clogging indicator port drilled for suction line application	<b>2</b>
All clogging indicator ports drilled	<b>4</b>
Special	<b>9</b>

Note: Standard clogging indicator port is 1/8 NPT.

## Spin-On Filter Heads ■ SAF-05 / 06 / 07 / 11

## Dimensions



Dimensions in mm / in



## Technical Data

**Construction**

- In-line Spin-On filter head

**Material**

- Aluminium

**Port Connection**

- NPT
- SAE O-ring thread

**Flow Rate**

- 90 l/min / 25 US GPM for return line application
- 23 l/min / 6 US GPM for suction line application

**Operating Pressure**

- Max. 14 bar / 200 PSI
- Max. 5,5 bar / 80 PSI differential pressure  
(for any application with no bypass valve)

**Temperature Range**

- -32 °C ... +100 °C / -25 °F ... +212 °F

**Media Compatibility**

- Mineral oils, other fluids on request

## Options and Accessories


**Filter Elements**

- For use with SF65 series elements
- For element types with seal contour type A
- For element types and flow characteristics see page C142
- The element is not part of the scope of delivery

**Valve**

- Bypass valve (integrated in the head): Optional

**Clogging Indicators**

- Visual clogging indicator with coloured segments
- Electrical clogging switch 0,35 ... 2,5 bar / 5 ... 35 PSI adjustable
- For clogging indicator types see page C147

## Order Code

**SAF - 07 - 25 - 0**

1 2 3 4

**1 Type**

 Spin-On Filter Head **SAF**
**2 Connection Style**

Connection	Thread	Code
NPT	1/2	<b>05</b>
SAE	3/4-16	<b>06</b>
NPT	3/4	<b>07</b>
SAE	1-1/16-12	<b>11</b>

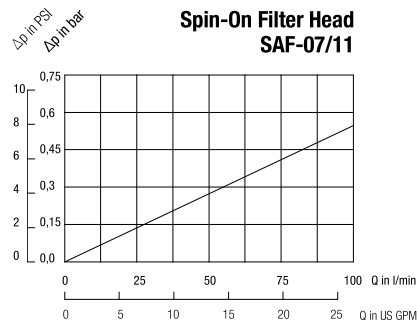
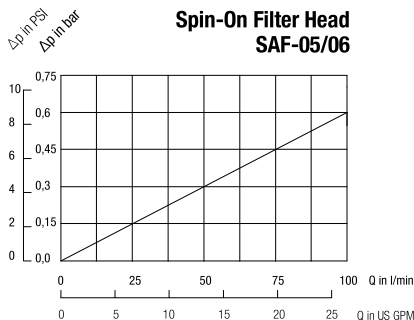
**3 Bypass Options**

No bypass	<b>00</b>
0,2 bar / 3 PSI	<b>03</b>
0,35 bar / 5 PSI	<b>05</b>
1 bar / 15 PSI	<b>15</b>
1,7 bar / 25 PSI	<b>25</b>

**4 Clogging Indicator Port Options**

No clogging indicator port	<b>0</b>
Clogging indicator port drilled for return line application	<b>1</b>
Clogging indicator port drilled for suction line application	<b>2</b>
All clogging indicator ports drilled	<b>4</b>
Special	<b>9</b>

Note: Standard clogging indicator port is 1/8 NPT.



## Spin-On Filter Heads ■ SAF-10 / 13



## Technical Data

## Construction

- In-line Spin-On filter head

## Material

- Aluminium

## Port Connection

- NPT
- SAE O-ring thread

## Flow Rate

- 128 l/min / 34 US GPM for return line application
- 30 l/min / 8 US GPM for suction line application

## Operating Pressure

- Max. 14 bar / 200 PSI
- Max. 5,5 bar / 80 PSI differential pressure (for any application with no bypass valve)

## Temperature Range

- -32 °C ... +100 °C / -25 °F ... +212 °F

## Media Compatibility

- Mineral oils, other fluids on request

## Options and Accessories



## Filter Elements

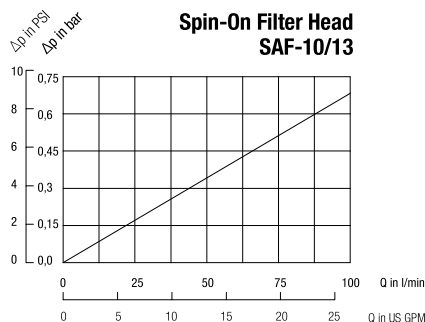
- For use with SF65 series elements
- For element types with seal contour type A
- For element types and flow characteristics see page C142
- The element is not part of the scope of delivery

## Valve

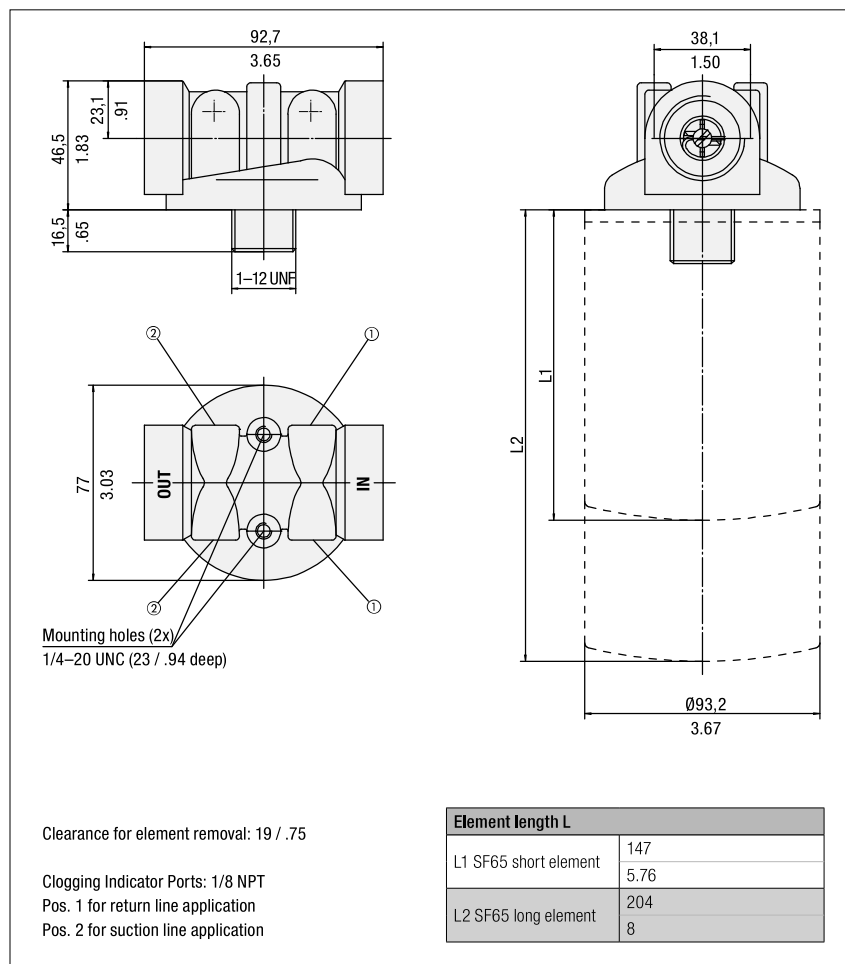
- Bypass valve (integrated in the filter head): Optional

## Clogging Indicators

- Visual clogging indicator with coloured segments
- Electrical clogging switch 0,35 ... 2,5 bar / 5 ... 35 PSI adjustable
- For clogging indicator types see page C147



## Dimensions



## Order Code

SAF - 10 - 25 - 0

1 2 3 4

## 1 Type

Spin-On Filter Head **SAF**

## 2 Connection Style

Connection	Thread	Code
NPT	1	<b>10</b>
SAE	1-5/16-12	<b>13</b>

## 3 Bypass Options

No bypass	<b>00</b>
0,2 bar / 3 PSI	<b>03</b>
0,35 bar / 5 PSI	<b>05</b>
1 bar / 15 PSI	<b>15</b>
1,7 bar / 25 PSI	<b>25</b>

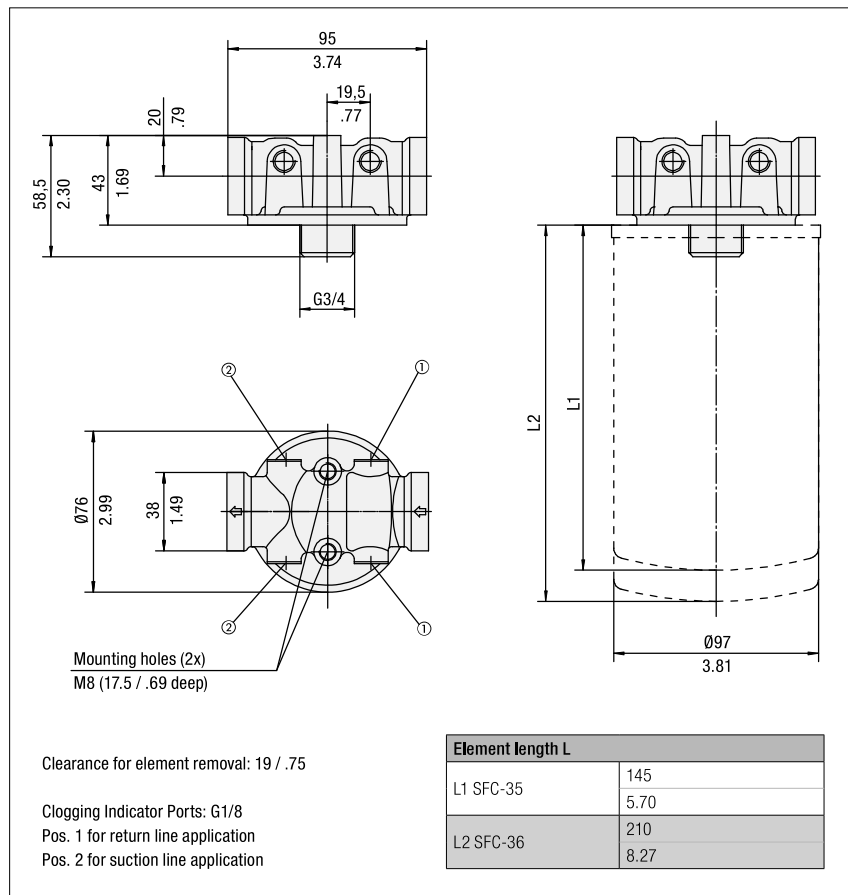
## 4 Clogging Indicator Port Options

No clogging indicator port	<b>0</b>
Clogging indicator port drilled for return line application	<b>1</b>
Clogging indicator port drilled for suction line application	<b>2</b>
All clogging indicator ports drilled	<b>4</b>
Special	<b>9</b>

Note: Standard clogging indicator port is 1/8 NPT.

## Spin-On Filter Heads ■ SSF-12

## Dimensions



## Technical Data

## Construction

- In-line Spin-On filter head

## Material

- Aluminium

## Port Connection

- BSP

## Flow Rate

- 90 l/min / 25 US GPM for return line application
- 23 l/min / 6 US GPM for suction line application

## Operating Pressure

- Max. 12 bar / 174 PSI
- Max. 5 bar / 72.5 PSI differential pressure (for any application with no bypass valve)

## Temperature Range

- -32 °C ... +100 °C / -25 °F ... +212 °F

## Media Compatibility

- Mineral oils, other fluids on request

## Options and Accessories



## Filter Elements

- For use with SFC-35/36 series elements
- For element types with seal contour type A
- For element types and flow characteristics see page C139
- The element is not part of the scope of delivery

## Valve

- Bypass valve (integrated in the filter head): Optional

## Clogging Indicators

- Visual clogging indicator with coloured segments
- Electrical clogging switch 1,3 bar / 19 PSI adjustable
- For clogging indicator types see page C147

## Order Code

**SSF - 12 - 25 - 4**

1 2 3 4

## 1 Type

 Spin-On Filter Head **SSF**

## 2 Connection Style

Connection	Thread	Code
BSP	3/4	<b>12</b>

## 3 Bypass Options

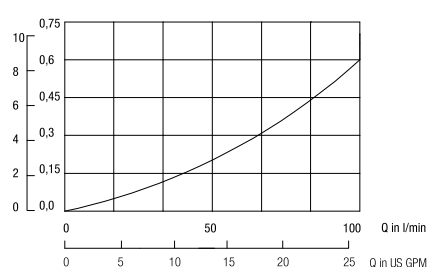
No bypass	<b>00</b>
0,2 bar / 3 PSI	<b>03</b>
1,7 bar / 25 PSI	<b>25</b>

Note: Other settings available on request.

## 4 Clogging Indicator Port Options

All clogging indicator ports drilled	<b>4</b>
Special	<b>9</b>

Note: Standard clogging indicator port is G1/8.

 Spin-On Filter Head  
SSF-12


## Spin-On Filter Heads ■ SSF-20L



## Technical Data

## Construction

- In-line Spin-On filter head

## Material

- Aluminium

## Port Connection

- BSP

## Flow Rate

- 225 l/min / 60 US GPM for return line application
- 46 l/min / 12 US GPM for suction line application

## Operating Pressure

- Max. 12 bar / 174 PSI
- Max. 5 bar / 72.5 PSI differential pressure (for any application with no bypass valve)

## Temperature Range

- -32 °C ... +100 °C / -25 °F ... +212 °F

## Media Compatibility

- Mineral oils, other fluids on request

## Options and Accessories



## Filter Elements

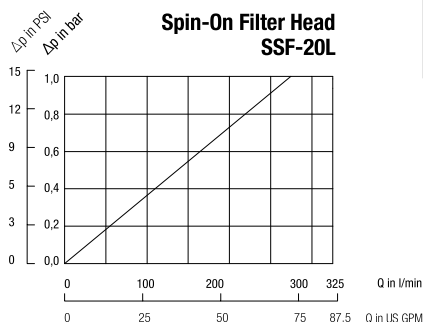
- For use with SF67 and SFC-57/58 series elements
- For element types with seal contour type A and B
- For element types and flow characteristics see page C143 for SF67 and page C140 for SFC-57/58.
- The element is not part of the scope of delivery

## Valve

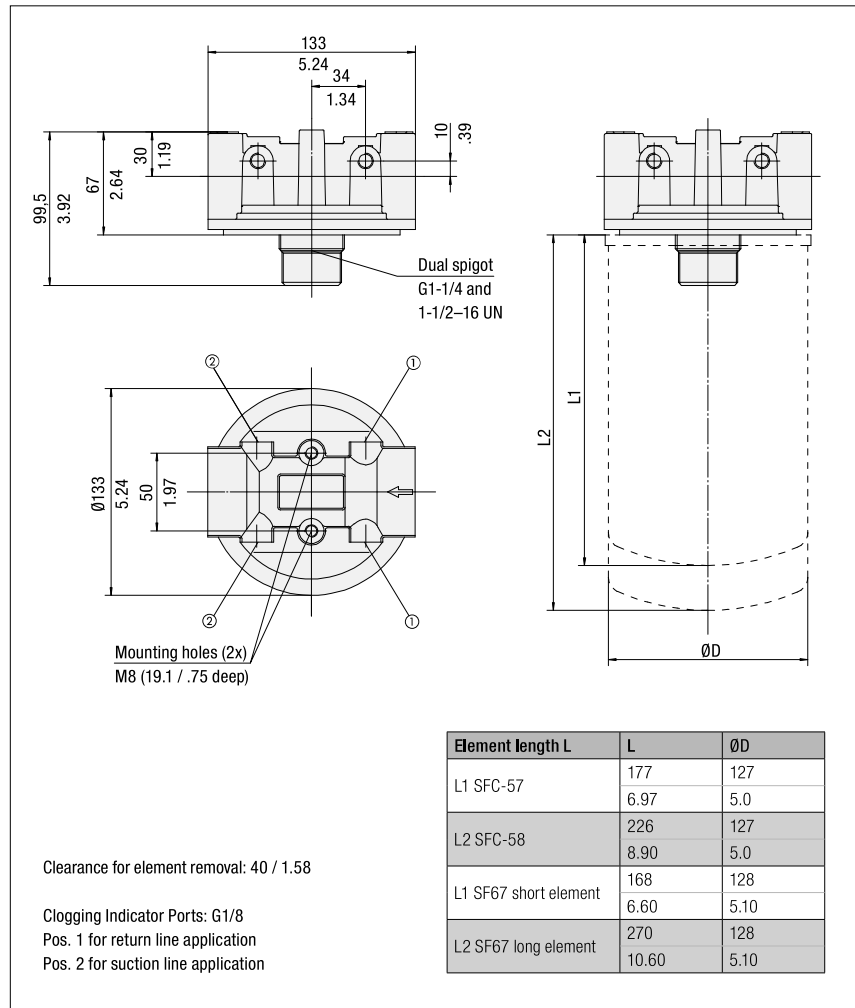
- Bypass valve (integrated in the filter head): Optional

## Clogging Indicators

- Visual clogging indicator with coloured segments
- Electrical clogging switch 0,35 ... 2,5 bar / 5 ... 35 PSI adjustable
- For clogging indicator types see page C147



## Dimensions



Dimensions in mm / in

## Order Code

SSF - 20L - 25 - 4

1 2 3 4

## 1 Type

Spin-On Filter Head **SSF**

## 2 Connection Style

Connection	Thread	Code
BSP	1-1/4	<b>20L</b>

## 3 Bypass Options

No bypass	<b>00</b>
0,2 bar / 3 PSI	<b>03</b>
1,7 bar / 25 PSI	<b>25</b>

Note: Other settings available on request.

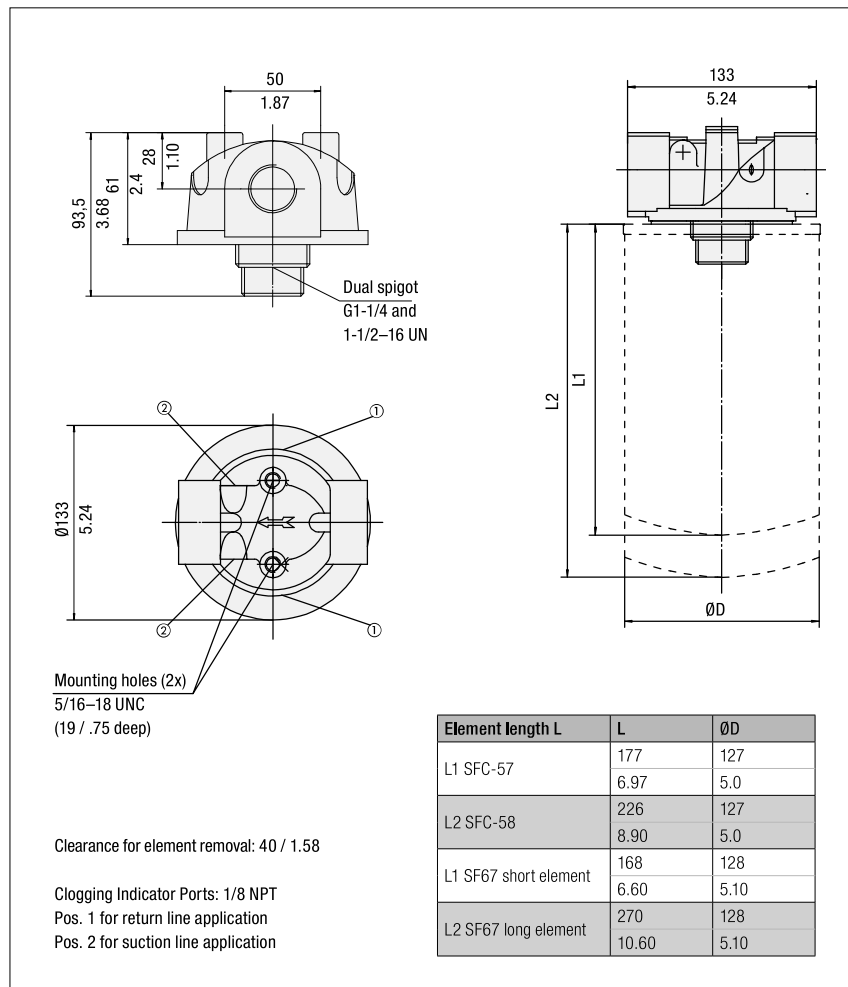
## 4 Clogging Indicator Port Options

All clogging indicator ports drilled **4**  
Special **9**

Note: Standard clogging indicator port for is G1/8.

## Spin-On Filter Heads ■ SSF-100 / 120 / 120L / 130 / 160

## Dimensions



Dimensions in mm / in



## Technical Data

## Construction

- In-line Spin-On filter head

## Material

- Aluminium

## Port Connection

- NPT
- SAE O-ring thread

## Flow Rate

- 225 l/min / 60 US GPM for return line application
- 46 l/min / 12 US GPM for suction line application

## Operating Pressure

- Max. 12 bar / 174 PSI
- Max. 5 bar / 72.5 PSI differential pressure  
(for any application with no bypass valve)

## Temperature Range

- -32 °C ... +100 °C / -25 °F ... +212 °F

## Media Compatibility

- Mineral oils, other fluids on request

## Options and Accessories



## Filter Elements

- For use with SF67 and SFC-57/58 series elements  
For element types with seal contour type A and B  
For element types and flow characteristics  
see page C143 for SF67 and page C140 for SFC-57/58.  
The element is not part of the scope of delivery

## Valve

- Bypass valve (integrated in the filter head): Optional

## Clogging Indicators

- Visual clogging indicator with coloured segments
- Electrical clogging switch 0,35 ... 2,5 bar / 5 ... 35 PSI adjustable  
For clogging indicator types see page C147

## Order Code

**SSF - 120 - 25 - 0**

1 2 3 4

## 1 Type

 Spin-On Filter Head **SSF**

## 2 Connection Style

Connection	Thread	Code
NPT	1	<b>100</b>
NPT	1-1/4	<b>120L</b>
NPT	1-1/2	<b>120</b>
SAE	1-5/16-12	<b>130</b>
SAE	1-5/8-12	<b>160</b>

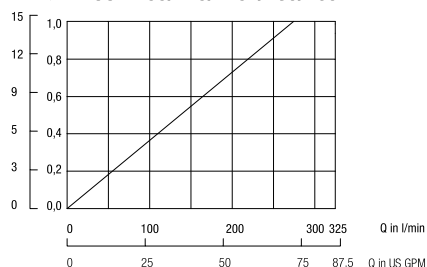
## 3 Bypass Options

No bypass	<b>00</b>
0,2 bar / 3 PSI	<b>03</b>
0,35 bar / 5 PSI	<b>05</b>
1 bar / 15 PSI	<b>15</b>
1,7 bar / 25 PSI	<b>25</b>

## 4 Clogging Indicator Port Options

No clogging indicator port	<b>0</b>
Clogging indicator port drilled for return line application	<b>1</b>
Clogging indicator port drilled for suction line application	<b>2</b>
All clogging indicator ports drilled	<b>4</b>
Special	<b>9</b>

Note: Standard clogging indicator port is 1/8 NPT.

 Spin-On Filter Head  
SSF-100/120/120L/130/160




## Spin-On Filter Heads ■ SSF-150 / 180



## Technical Data

## Construction

- In-line Spin-On filter head

## Material

- Aluminium

## Port Connection

- NPT
- SAE O-ring thread

## Flow Rate

- 300 l/min / 80 US GPM for return line application
- 113 l/min / 30 US GPM for suction line application

## Operating Pressure

- Max. 14 bar / 200 PSI
- Max. 5,5 bar / 80 PSI differential pressure  
(for any application with no bypass valve)

## Temperature Range

- -32 °C ... +100 °C / -25 °F ... +212 °F

## Media Compatibility

- Mineral oils, other fluids on request

## Options and Accessories



## Filter Elements

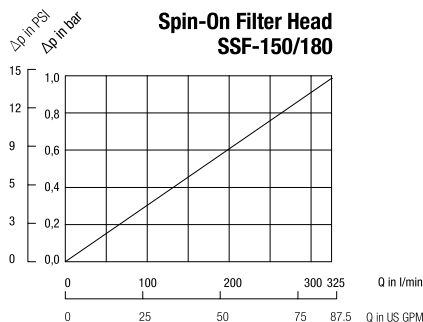
- For use with SF67 series elements
- For element types with seal contour type B
- For element types and flow characteristics see page C143
- The element is not part of the scope of delivery

## Valve

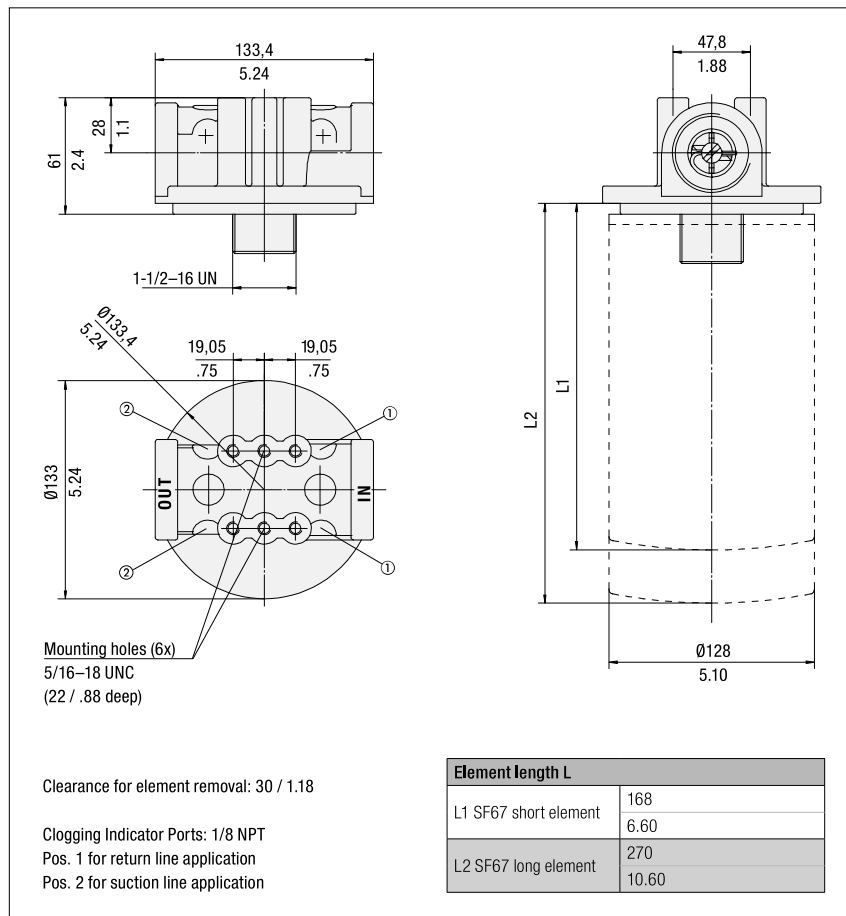
- Bypass valve (integrated in the filter head): Optional

## Clogging Indicators

- Visual clogging indicator with coloured segments
- Electrical clogging switch 0,35 ... 2,5 bar / 5 ... 35 PSI adjustable
- For clogging indicator types see page C147



## Dimensions



Dimensions in mm / in

## Order Code

SSF - 150 - 25 - 0

1 2 3 4

## 1 Type

Spin-On Filter Head **SSF**

## 2 Connection Style

Connection	Thread	Code
NPT	1-1/2	<b>150</b>
SAE	1-7/8-12	<b>180</b>

## 3 Bypass Options

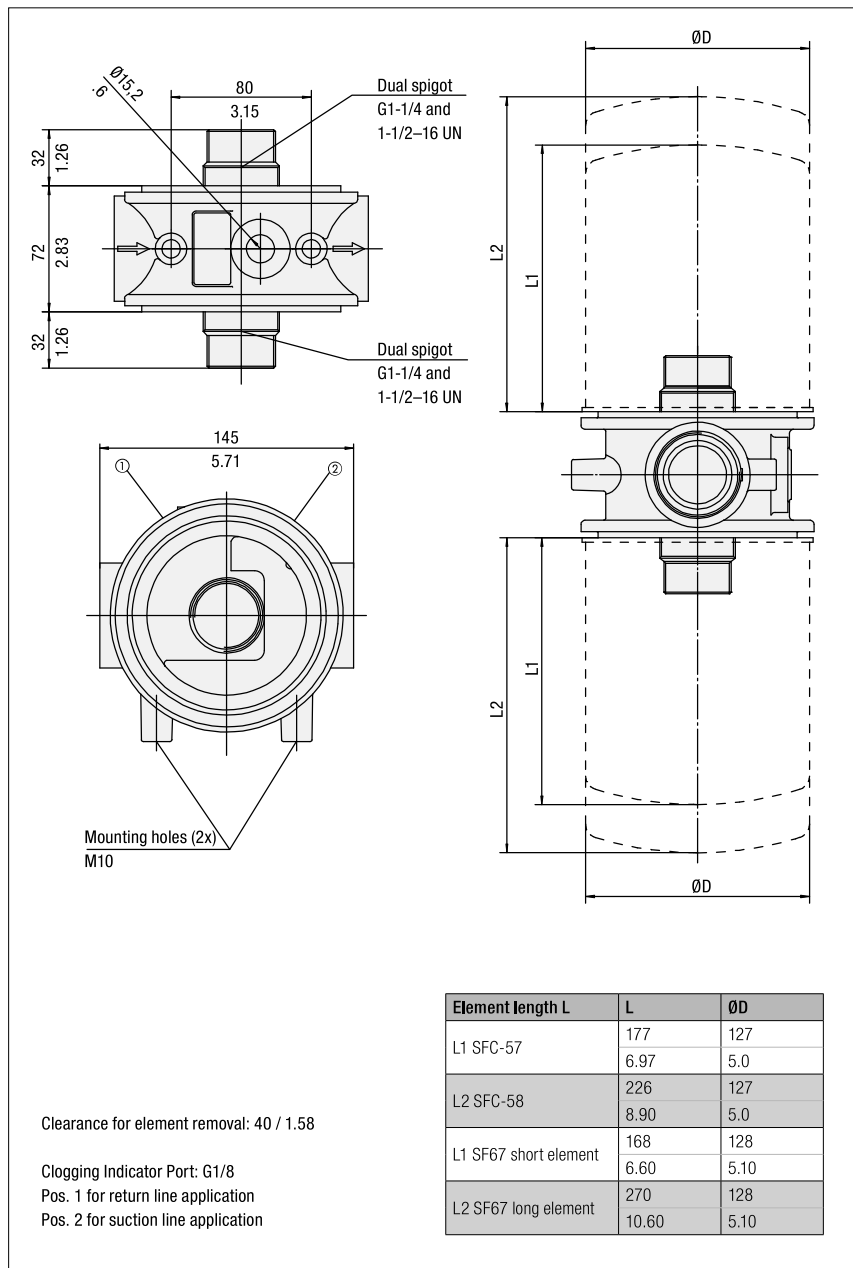
No bypass	<b>00</b>
0,2 bar / 3 PSI	<b>03</b>
0,35 bar / 5 PSI	<b>05</b>
1 bar / 15 PSI	<b>15</b>
1,7 bar / 25 PSI	<b>25</b>

## 4 Clogging Indicator Port Options

No clogging indicator port	<b>0</b>
Clogging indicator port drilled for return line application	<b>1</b>
Clogging indicator port drilled for suction line application	<b>2</b>
All clogging indicator ports drilled	<b>4</b>
Special	<b>9</b>

Note: Standard clogging indicator port is 1/8 NPT.

Dimensions



Dimensions in mm / in

Double Spin-On Filter Heads ■ SSF-24B



Technical Data

- Construction**
- In-line Double Spin-On filter head
- Material**
- Aluminium
- Port Connection**
- BSP
- Flow Rate**
- 454 l/min / 120 US GPM for return line application
  - 132 l/min / 35 US GPM for suction line application
- Operating Pressure**
- Max. 12 bar / 174 PSI
  - Max. 5 bar / 72.5 PSI differential pressure (for any application with no bypass valve)
- Temperature Range**
- -30 °C ... +100 °C / -22 °F ... +212 °F
- Media Compatibility**
- Mineral oils, other fluids on request

Options and Accessories



- Filter Elements**
- For use with SF67 and SFC-57/58 series elements
  - For element types with seal contour type A and B
  - For element types and flow characteristics see page C143 for SF67 and page C140 for SFC-57/58
  - The element is not part of the scope of delivery

- Valve**
- Bypass valve (integrated in the head): Optional

- Clogging Indicators**
- Visual clogging indicator with coloured segments
  - Electrical clogging switch 0,35 ... 2,5 bar / 5 ... 35 PSI adjustable
  - For clogging indicator types see page C147

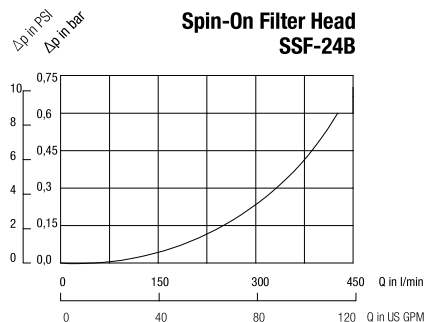
Order Code

SSF - 24B - 25 - 4



- 1 Type**
- Double Spin-On Filter Head **SSF**
- 2 Connection Style**
- | Connection | Thread | Code       |
|------------|--------|------------|
| BSP        | 1-1/2  | <b>24B</b> |
- 3 Bypass Options**
- |                  |           |
|------------------|-----------|
| No bypass        | <b>00</b> |
| 0,2 bar / 3 PSI  | <b>03</b> |
| 1,7 bar / 25 PSI | <b>25</b> |
- Note: Other settings available on request.

- 4 Clogging Indicator Port Options**
- |                                      |          |
|--------------------------------------|----------|
| All clogging indicator ports drilled | <b>4</b> |
| Special                              | <b>9</b> |
- Note: Standard clogging indicator port is G1/8.



## Double Spin-On Filter Heads ■ SSF-24N / 24S

### Dimensions



### Technical Data

#### Construction

- In-line Double Spin-On filter head

#### Material

- Aluminium

#### Port Connection

- NPT
- SAE flange
- SAE O-ring thread

#### Flow Rate

- 454 l/min / 120 US GPM for return line application
- 132 l/min / 35 US GPM for suction line application

#### Operating Pressure

- Max. 12 bar / 174 PSI
- Max. 5 bar / 72.5 PSI differential pressure (for any application with no bypass valve)

#### Temperature Range

- -30 °C ... +100 °C / -22 °F ... +212 °F

#### Media Compatibility

- Mineral oils, other fluids on request

### Options and Accessories



#### Filter Elements

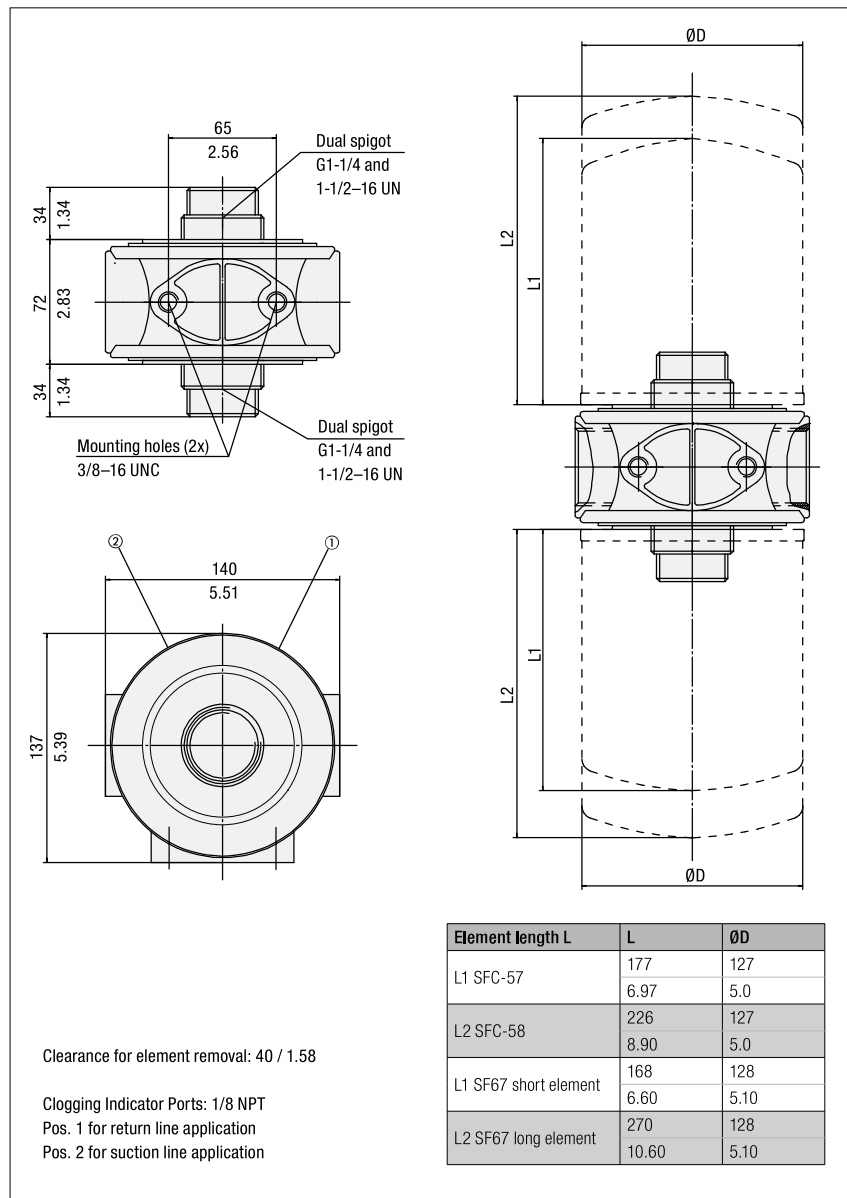
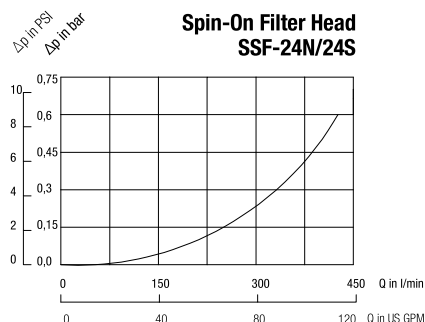
- For use with SF67 and SFC-57/58 series elements
- For element types with seal contour type A and B
- For element types and flow characteristics see page C143 for SF67 and page C140 for SFC-57/58
- The element is not part of the scope of delivery

#### Valve

- Bypass valve (integrated in the head): Optional

#### Clogging Indicators

- Visual clogging indicator with coloured segments
- Electrical clogging switch 0,35 ... 2,5 bar / 5 ... 35 PSI adjustable
- For clogging indicator types see page C147



Dimensions in mm / in

### Order Code

**SSF - 24N - 25 - 0**

1 2 3 4

#### 1 Type

Double Spin-On Filter Head **SSF**

#### 2 Connection Style

Connection	Thread	Code
NPT	1-1/2	<b>24N</b>
SAE	1-7/8-12	<b>24S</b>

#### 3 Bypass Options

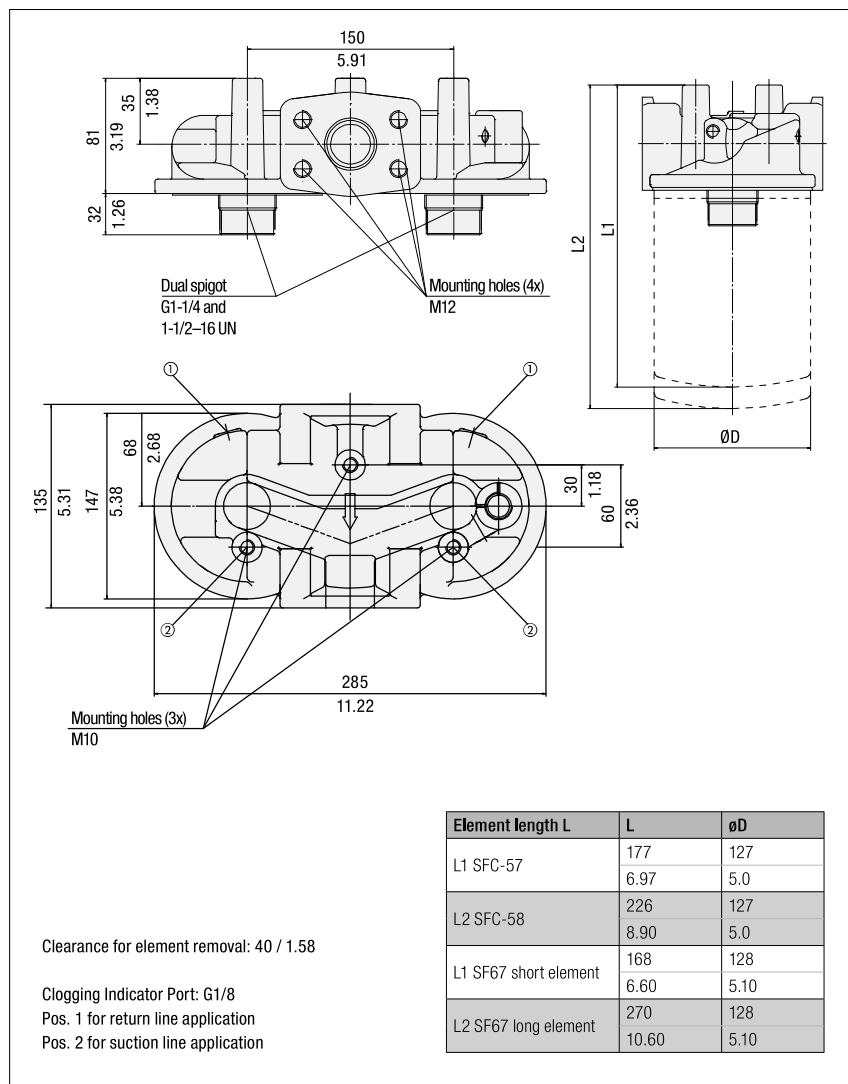
No bypass	<b>00</b>
0,2 bar / 3 PSI	<b>03</b>
0,35 bar / 5 PSI	<b>05</b>
1 bar / 15 PSI	<b>15</b>
1,7 bar / 25 PSI	<b>25</b>

#### 4 Clogging Indicator Port Options

No clogging indicator port	<b>0</b>
Clogging indicator port drilled for return line application	<b>1</b>
Clogging indicator port drilled for suction line application	<b>2</b>
All clogging indicator ports drilled	<b>4</b>
Special	<b>9</b>

Note: Standard clogging indicator port is 1/8 NPT.

## Dimensions



Dimensions in mm / in

## Order Code

**SSF - 25B - 25 - 4**

1 2 3 4

**1 Type**

 Double Spin-On Filter Head **SSF**
**2 Connection Style**

Connection	Thread	Code
BSP and SAE Flange	1-1/2 and 1-1/2 SAE Code 61 Flange	<b>25B</b>

**3 Bypass Options**

No bypass	<b>00</b>
0,2 bar / 3 PSI	<b>03</b>
1,7 bar / 25 PSI	<b>25</b>

Note: Other settings available on request.

**4 Clogging Indicator Port Options**

All clogging indicator ports drilled	<b>4</b>
Special	<b>9</b>

Note: Standard clogging indicator port is G1/8.

## Double Spin-On Filter Heads ■ SSF-25B



## Technical Data

**Construction**

- In-line Double Spin-On filter head

**Material**

- Aluminium

**Port Connection**

- BSP
- SAE flange

**Flow Rate**

- 454 l/min / 120 US GPM for return line application
- 132 l/min / 35 US GPM for suction line application

**Operating Pressure**

- Max. 12 bar / 174 PSI
- Max. 5 bar / 72.5 PSI differential pressure (for any application with no bypass valve)

**Temperature Range**

- -30 °C ... +100 °C / -22 °F ... +212 °F

**Media Compatibility**

- Mineral oils, other fluids on request

**Options and Accessories**

**Filter Elements**

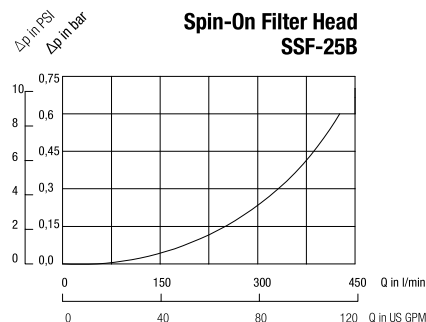
- For use with SF67 and SFC-57/58 series elements
- For element types with seal contour type A and B
- For element types and flow characteristics see page C143 for SF67 and page C140 for SFC-57/58
- The element is not part of the scope of delivery

**Valve**

- Bypass valve (integrated in the head): Optional

**Clogging Indicators**

- Visual clogging indicator with coloured segments
- Electrical clogging switch 0,35 ... 2,5 bar / 5 ... 35 PSI adjustable
- For clogging indicator types see page C147



## Double Spin-On Filter Heads ■ SSF-25



### Technical Data

#### Construction

- In-line Double Spin-On filter head

#### Material

- Aluminium

#### Port Connection

- NPT
- SAE flange

#### Flow Rate

- 454 l/min / 120 US GPM for return line application
- 132 l/min / 35 US GPM for suction line application

#### Operating Pressure

- Max. 12 bar / 174 PSI
- Max. 5 bar / 72.5 PSI differential pressure (for any application with no bypass valve)

#### Temperature Range

- -30 °C ... +100 °C / -22 °F ... +212 °F

#### Media Compatibility

- Mineral oils, other fluids on request

### Options and Accessories



#### Filter Elements

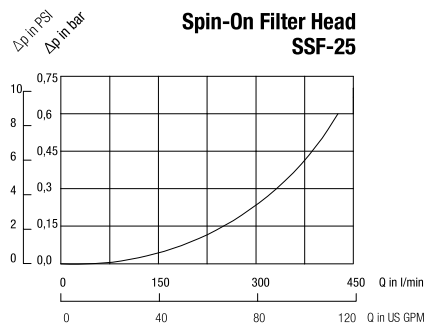
- For use with SF67 and SFC-57/58 series elements
- For element types with seal contour type A and B
- For element types and flow characteristics see page C143 for SF67 and page C140 for SFC-57/58
- The element is not part of the scope of delivery

#### Valve

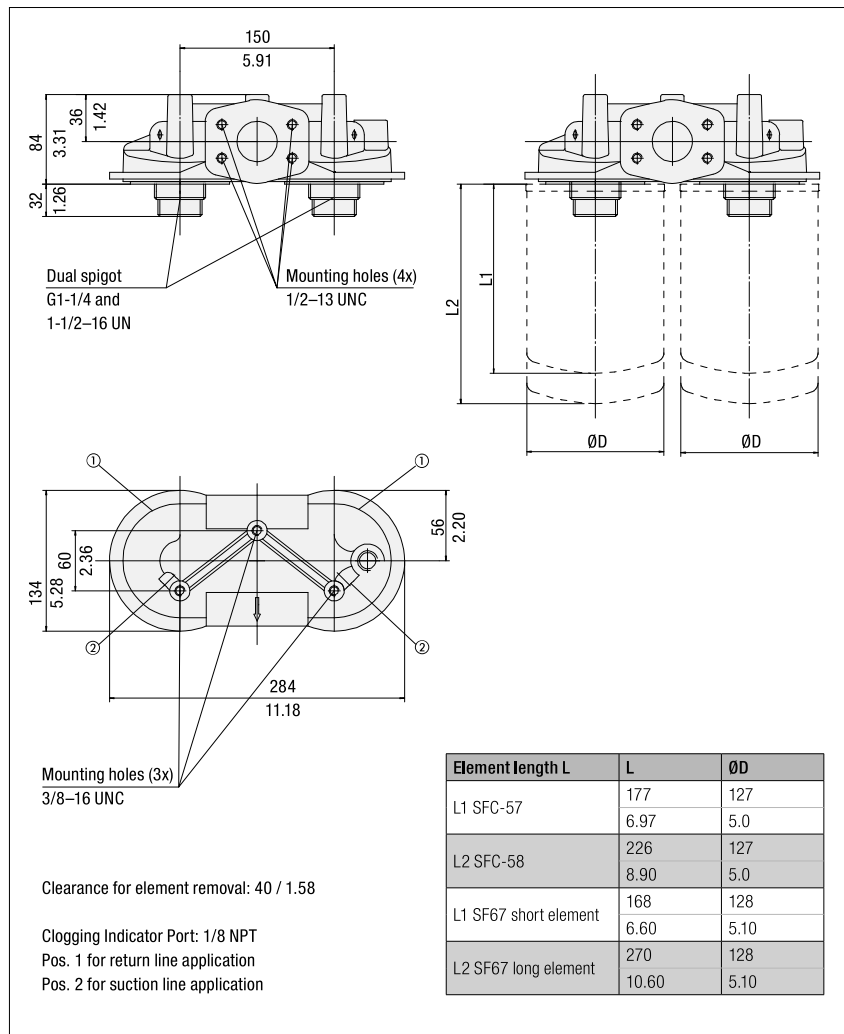
- Bypass valve (integrated in the head): Optional

#### Clogging Indicators

- Visual clogging indicator with coloured segments
- Electrical clogging switch 0,35 ... 2,5 bar / 5 ... 35 PSI adjustable
- For clogging indicator types see page C147



### Dimensions



Dimensions in mm / in

### Order Code

**SSF - 25 - 25 - 0**

1 2 3 4

#### 1 Type

Double Spin-On Filter Head **SSF**

#### 2 Connection Style

Connection	Thread	Code
NPT and SAE Flange	1-1/2 and 2 SAE Code 61 Flange	<b>25</b>

#### 3 Bypass Options

No bypass	<b>00</b>
0,2 bar / 3 PSI	<b>03</b>
0,35 bar / 5 PSI	<b>05</b>
1 bar / 15 PSI	<b>15</b>
1,7 bar / 25 PSI	<b>25</b>

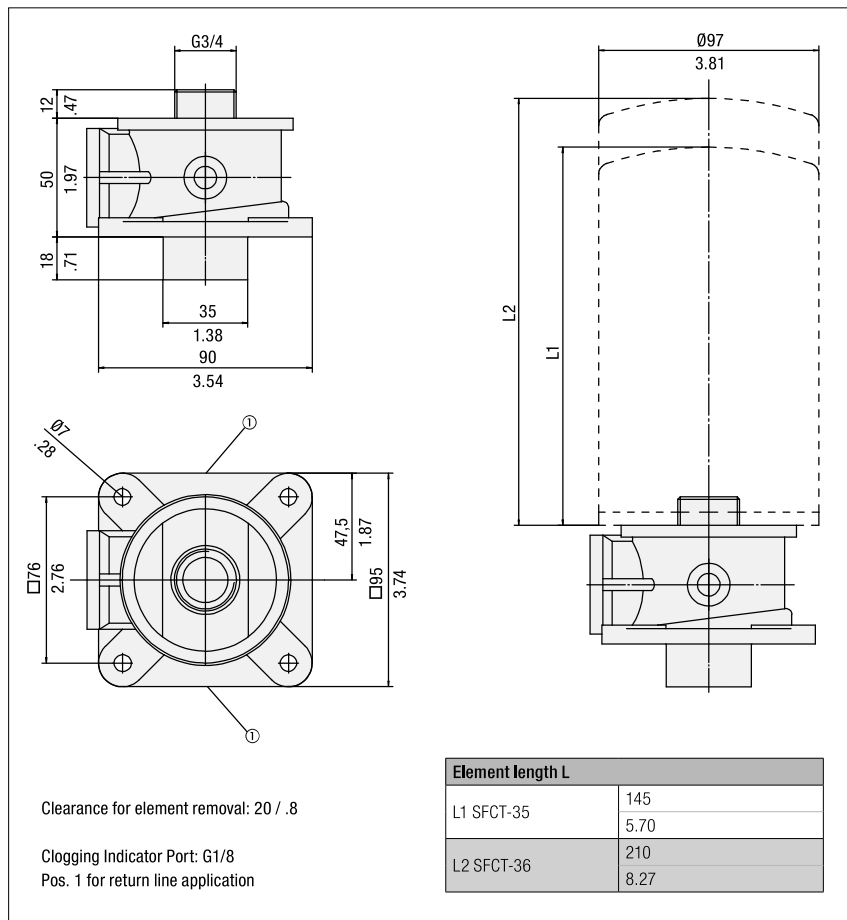
#### 4 Clogging Indicator Port Options

No clogging indicator port	<b>0</b>
Clogging indicator port drilled for return line application	<b>1</b>
Clogging indicator port drilled for suction line application	<b>2</b>
All clogging indicator ports drilled	<b>4</b>
Special	<b>9</b>

Note: Standard clogging indicator port is 1/8 NPT.

## Tank Top Spin-On Filter Heads ■ SSFT-12B

## Dimensions



## Technical Data

**Construction**

- Tank Top Spin-On filter head

**Material**

- Aluminium

**Port Connection**

- BSP

**Flow Rate**

- 75 l/min / 20 US GPM

**Operating Pressure**

- Max. 7 bar / 100 PSI

**Temperature Range**

- -30 °C ... +100 °C / -22 °F ... +212 °F

**Media Compatibility**

- Mineral oils, other fluids on request

## Options and Accessories


**Filter Elements**

- For use with SFCT-35/36 series elements
- For element types with seal contour type A and B
- For element types and flow characteristics see page C139.
- The element is not part of the scope of delivery

**Valve**

- Bypass valve 1,7 bar / 25 PSI integrated in the filter element

**Clogging Indicators**

- Visual clogging indicator with coloured segments
- Electrical clogging switch 0,35 ... 2,5 bar / 5 ... 35 PSI adjustable
- For clogging indicator types see page C147

## Order Code

**SSFT - 12B - 1**

1      2      3

**1 Type**

Spin-On Filter Head **SSFT**

**2 Connection Style**

Connection	Thread	Code
BSP	3/4	<b>12B</b>

**3 Clogging Indicator Port Options**

No clogging indicator port	<b>0</b>
Clogging indicator port drilled for return line application	<b>1</b>
Special	<b>9</b>

Note: Standard clogging indicator port is G1/8.

**Spin-On Filter Head  
SSFT-12B**
