

TANK WALL MIN  
3 mm. THICK

**MP FILTRI S.p.A.** via Matteotti, 2  
20060 Pessano con Bornago  
Milano - Italy



Tel. 02/957031  
Fax: 02/95741497-95740188  
E-mail: sales@mpfiltri.com - <http://www.mpfiltri.com>

<b>MP FILTRI U.K. Ltd.</b>	Tel. 01451-822522	Fax: 01451-822282	E-mail: sales@mpfiltri.co.uk	<a href="http://www.mpfiltri.co.uk">http://www.mpfiltri.co.uk</a>
<b>MP FILTRI D GmbH</b>	Tel. 06806/850220	Fax: 06806/85022-18	E-mail: mpfiltrink@aol.com	
<b>MP FILTRI U.S.A. Inc.</b>	Tel. 770-263-0090	Fax: 770-242-4069	E-mail: mpfilusa@aol.com	
<b>MP FILTRI CND Inc.</b>	Tel. 905-303-1369	Fax: 905-303-7256	E-mail: mail@mpfiltricanada.com	<a href="http://www.mpfiltricanada.com">http://www.mpfiltricanada.com</a>

LEG [ ] [ ] - [ ] - [ ] - [ ] - [ ] / [ ] - [ ]

<b>Series</b>	
LEG	Complete indicator

<b>Tube material</b>	
A	Brass

<b>Size</b>	
102	

<b>Floats</b>	
1	Nr. 1 float

<b>Float material</b>	
A	Plastic material

<b>Connector</b>	
S	DIN 43650 connector

<b>Tank fixing</b>	
F	Flange

<b>Seals</b>	
A	Nitrile (BUNA-N)

<b>Switching contacts</b>	
1	Nr. 1 contact
2	Nr. 2 contacts

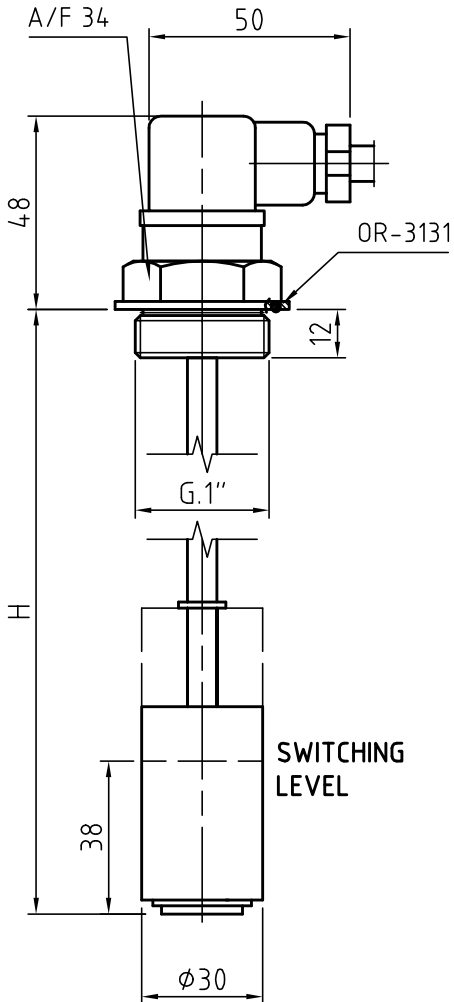
MP FILTRI S.p.A. via Matteotti, 2  
 20060 Pessano con Bornago  
 Milano - Italy



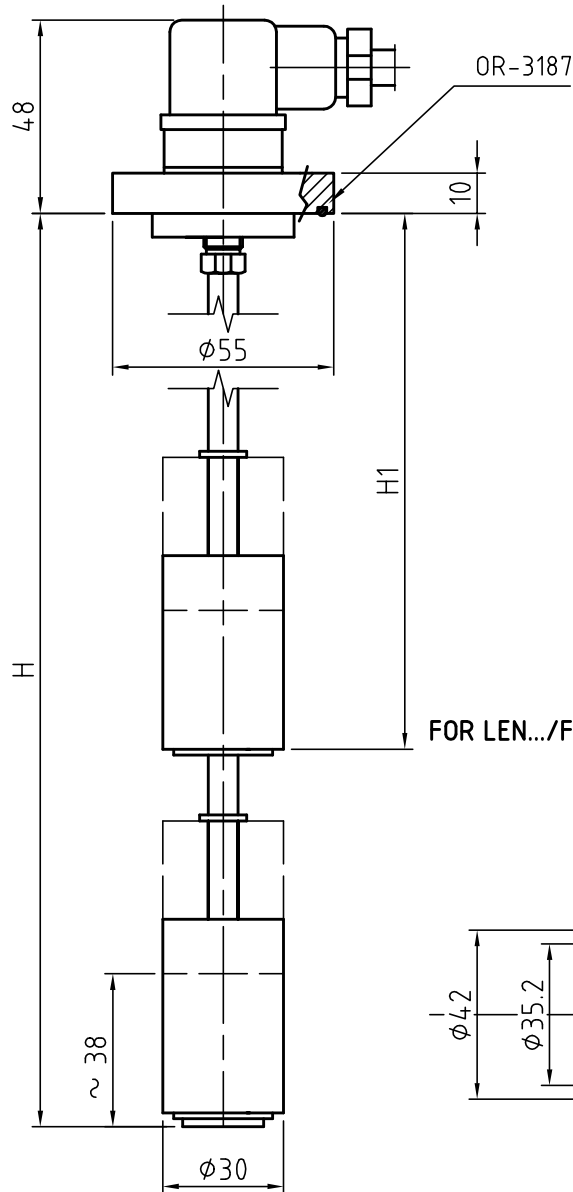
Tel. 02/957031  
 Fax: 02/95741497-95740188  
 E-mail: sales@mpfiltri.com - <http://www.mpfiltri.com>

MP FILTRI U.K. Ltd.	Tel. 01451-822522	Fax: 01451-822282	E-mail: sales@mpfiltri.co.uk	<a href="http://www.mpfiltri.co.uk">http://www.mpfiltri.co.uk</a>
MP FILTRI D GmbH	Tel. 06806/850220	Fax: 06806/85022-18	E-mail: mpfiltrink@aol.com	
MP FILTRI U.S.A. Inc.	Tel. 770-263-0090	Fax: 770-242-4069	E-mail: mpfilusa@aol.com	
MP FILTRI CND Inc.	Tel. 905-303-1369	Fax: 905-303-7256	E-mail: mail@mpfiltricanada.com	<a href="http://www.mpfiltricanada.com">http://www.mpfiltricanada.com</a>

DIMENSION			
Size	H		H1
	1 float	2 floats	
150	150	---	---
200	200	200	95
250	250	250	105
350	350	350	115
400	---	400	115
500	---	500	125

LEN.../ G


FOR LEN.../G:  
 MIN THREAD LENGHT IN THE  
 TANK 12 mm.

LEN.../ F


TANK WALL MIN  
 3 mm. THICK

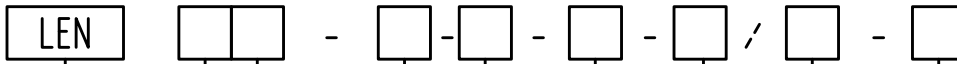
MP FILTRI S.p.A. via Matteotti, 2  
 20060 Pessano con Bornago  
 Milano - Italy



Tel. 02/957031  
 Fax: 02/95741497-95740188  
 E-mail: sales@mpfiltri.com - <http://www.mpfiltri.com>

MP FILTRI U.K. Ltd.	Tel. 01451-822522	Fax: 01451-822282	E-mail: sales@mpfiltri.co.uk	<a href="http://www.mpfiltri.co.uk">http://www.mpfiltri.co.uk</a>
MP FILTRI D GmbH	Tel. 06806/850220	Fax: 06806/85022-18	E-mail: mpfiltrink@aol.com	
MP FILTRI U.S.A. Inc.	Tel. 770-263-0090	Fax: 770-242-4069	E-mail: mpfilusa@aol.com	
MP FILTRI CND Inc.	Tel. 905-303-1369	Fax: 905-303-7256	E-mail: mail@mpfiltricanada.com	<a href="http://www.mpfiltricanada.com">http://www.mpfiltricanada.com</a>

## ORDERING INFORMATION



Series	
LEN	Complete indicator

Tube material	
A	Brass
B	Stainless steel (on request)

Size	
150	
200	
250	
350	
400	
500	

Floats	
1	Nr. 1 float (up to size 350)
2	Nr. 2 floats (from size 200)

Connector	
S	DIN 43650 connector

Tank fixing	
F	Flange
G	1" BSP thread

Seals	
A	Nitrile (BUNA-N)

Switching contacts	
1	Nr. 1 contact

Float material	
A	Plastic material
B	Stainless steel (on request)

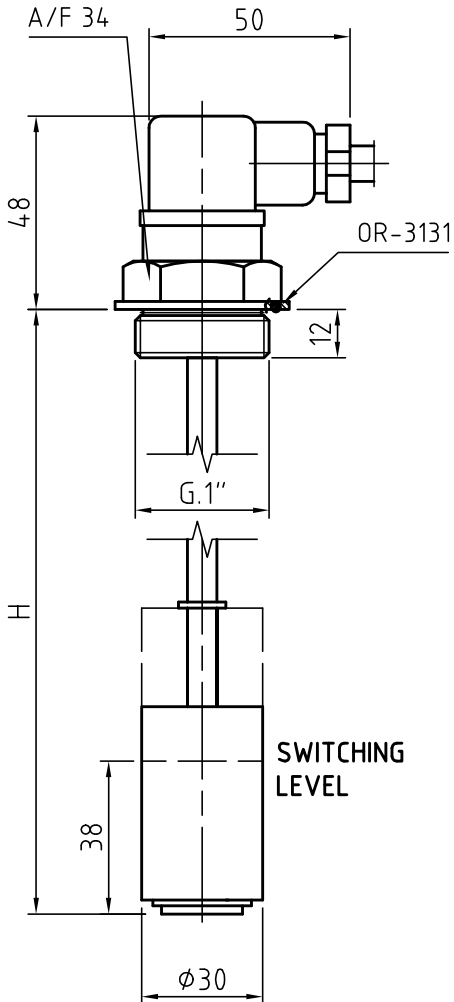
**MP FILTRI S.p.A.** via Matteotti, 2  
 20060 Pessano con Bornago  
 Milano - Italy



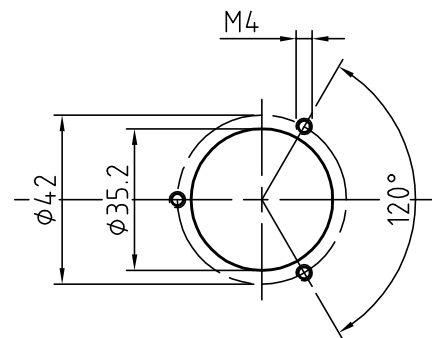
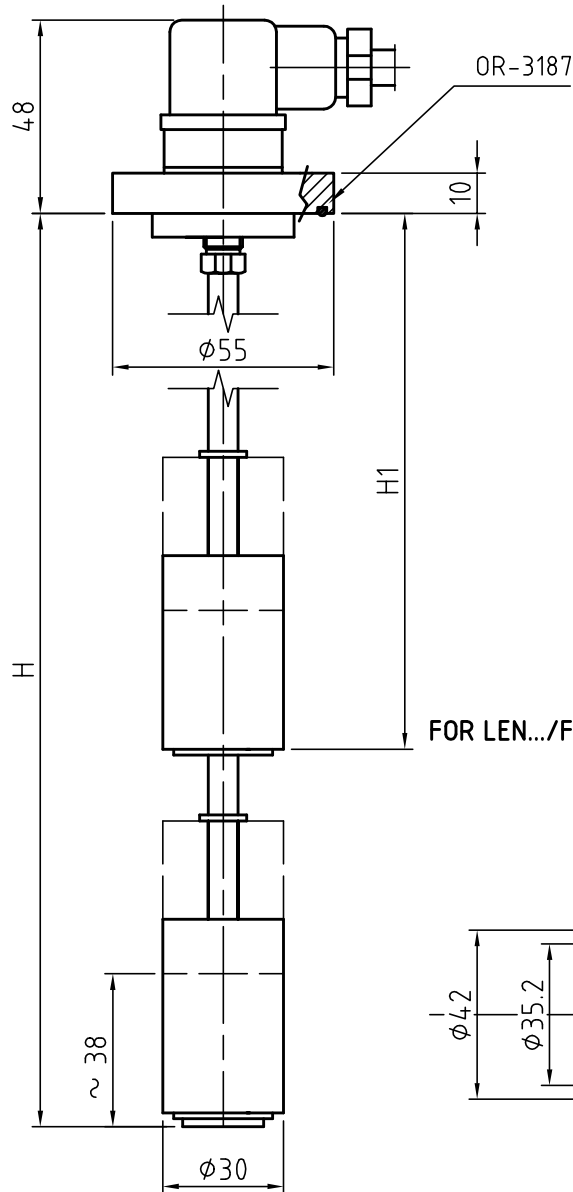
Tel. 02/957031  
 Fax: 02/95741497-95740188  
 E-mail: sales@mpfiltri.com - <http://www.mpfiltri.com>

<b>MP FILTRI U.K. Ltd.</b>	Tel. 01451-822522	Fax: 01451-822282	E-mail: sales@mpfiltri.co.uk	<a href="http://www.mpfiltri.co.uk">http://www.mpfiltri.co.uk</a>
<b>MP FILTRI D GmbH</b>	Tel. 06806/850220	Fax: 06806/85022-18	E-mail: mpfiltrink@aol.com	
<b>MP FILTRI U.S.A. Inc.</b>	Tel. 770-263-0090	Fax: 770-242-4069	E-mail: mpfilusa@aol.com	
<b>MP FILTRI CND Inc.</b>	Tel. 905-303-1369	Fax: 905-303-7256	E-mail: mail@mpfiltricanada.com	<a href="http://www.mpfiltricanada.com">http://www.mpfiltricanada.com</a>

DIMENSION			
Size	H		H1
	1 float	2 floats	
150	150	---	---
200	200	200	95
250	250	250	105
350	350	350	115
400	---	400	115
500	---	500	125

LEN.../G


FOR LEN.../G:  
 MIN THREAD LENGHT IN THE  
 TANK 12 mm.

LEN.../F


TANK WALL MIN  
 3 mm. THICK

**MP FILTRI S.p.A.** via Matteotti, 2  
 20060 Pessano con Bornago  
 Milano - Italy



Tel. 02/957031  
 Fax: 02/95741497-95740188  
 E-mail: sales@mpfiltri.com - <http://www.mpfiltri.com>

<b>MP FILTRI U.K. Ltd.</b>	Tel. 01451-822522	Fax: 01451-822282	E-mail: sales@mpfiltri.co.uk	<a href="http://www.mpfiltri.co.uk">http://www.mpfiltri.co.uk</a>
<b>MP FILTRI D GmbH</b>	Tel. 06806/850220	Fax: 06806/85022-18	E-mail: mpfiltrink@aol.com	
<b>MP FILTRI U.S.A. Inc.</b>	Tel. 770-263-0090	Fax: 770-242-4069	E-mail: mpfilusa@aol.com	
<b>MP FILTRI CND Inc.</b>	Tel. 905-303-1369	Fax: 905-303-7256	E-mail: mail@mpfiltricanada.com	<a href="http://www.mpfiltricanada.com">http://www.mpfiltricanada.com</a>

## ORDERING INFORMATION

LEN [ ] - [ ] - [ ] - [ ] / [ ] - [ ]

Series	
LEN	Complete indicator

Tube material	
A	Brass
B	Stainless steel (on request)

Size	
150	
200	
250	
350	
400	
500	

Floats	
1	Nr. 1 float (up to size 350)
2	Nr. 2 floats (from size 200)

Connector	
S	DIN 43650 connector

Tank fixing	
F	Flange
G	1" BSP thread

Seals	
A	Nitrile (BUNA-N)

Switching contacts	
1	Nr. 1 contact

Float material	
A	Plastic material
B	Stainless steel (on request)

**MP FILTRI S.p.A.** via Matteotti, 2  
 20060 Pessano con Bornago  
 Milano - Italy



Tel. 02/957031  
 Fax: 02/95741497-95740188  
 E-mail: sales@mpfiltri.com - <http://www.mpfiltri.com>

<b>MP FILTRI U.K. Ltd.</b>	Tel. 01451-822522	Fax: 01451-822282	E-mail: sales@mpfiltri.co.uk	<a href="http://www.mpfiltri.co.uk">http://www.mpfiltri.co.uk</a>
<b>MP FILTRI D GmbH</b>	Tel. 06806/850220	Fax: 06806/85022-18	E-mail: mpfiltrink@aol.com	
<b>MP FILTRI U.S.A. Inc.</b>	Tel. 770-263-0090	Fax: 770-242-4069	E-mail: mpfilusa@aol.com	
<b>MP FILTRI CND Inc.</b>	Tel. 905-303-1369	Fax: 905-303-7256	E-mail: mail@mpfiltricanada.com	<a href="http://www.mpfiltricanada.com">http://www.mpfiltricanada.com</a>